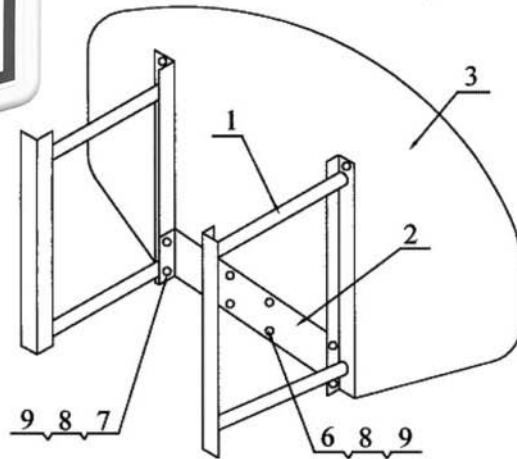
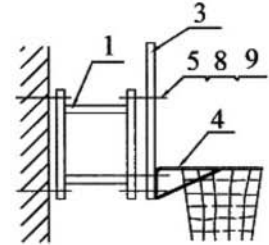


Assembly Instruction

Wall Mount System „New York“



List of parts:

- | | | |
|----|------------------------|---------|
| 1. | Frames of the bracket | - 2pcs |
| 2. | Back plate | - 1pc |
| 3. | Backboard | - 1pc |
| 4. | Goal | - 1pc |
| 5. | Carriage bolt M 8 x 40 | - 2pcs |
| 6. | Screw M 8 x 50 | - 4pcs |
| 7. | Screw M 8 x 20 | - 4pcs |
| 8. | Round washer 8 | - 10pcs |
| 9. | Nut M 8 | - 10pcs |

How to assembly:

1. Mount the back plate of the backboard /2/ with frames of the bracket /1/
2. Attach the frames of bracket /1/ to the wall.
3. Attach the backboard and the goal