

INTERMEDIATE STEEL HOCKEY GOAL

Contents/Contenu

1x Steel tube
1 tube en acier

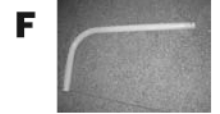
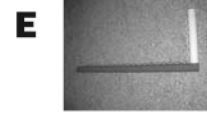
1x Steel tube
1 tube en acier

1x Steel tube
1 tube en acier

1x Steel tube
1 tube en acier

2x Steel tube
2 tubes en acier

1x Steel tube
1 tube en acier



1x Steel tube
1 tube en acier

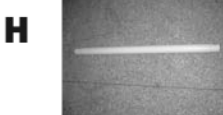
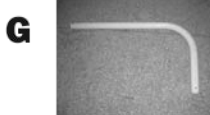
1x Steel tube
1 tube en acier

1x Steel tube
1 tube en acier

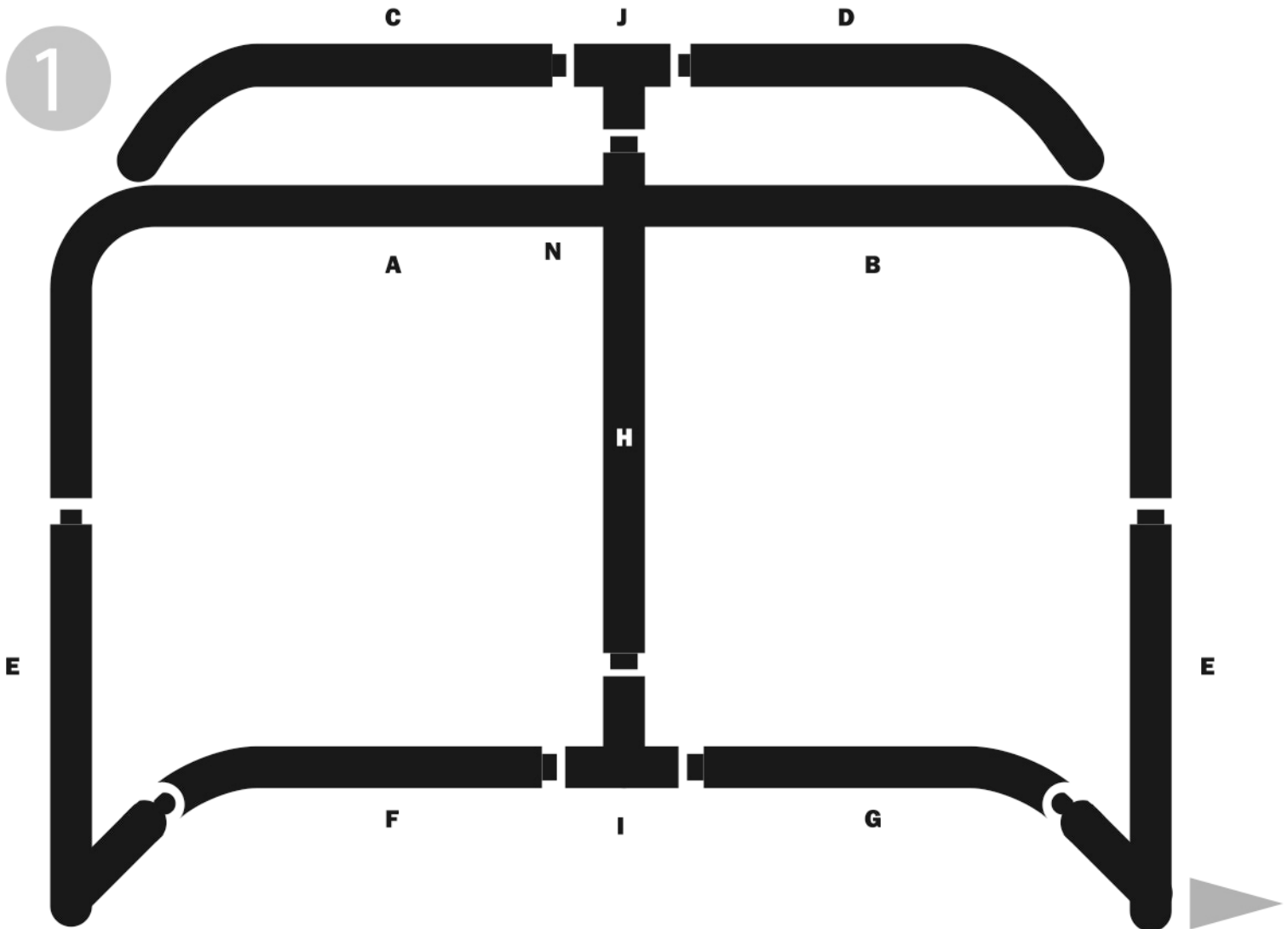
1x Steel tube
1 tube en acier

1x Mesh
1 maille

3x String pieces
3 ficelles



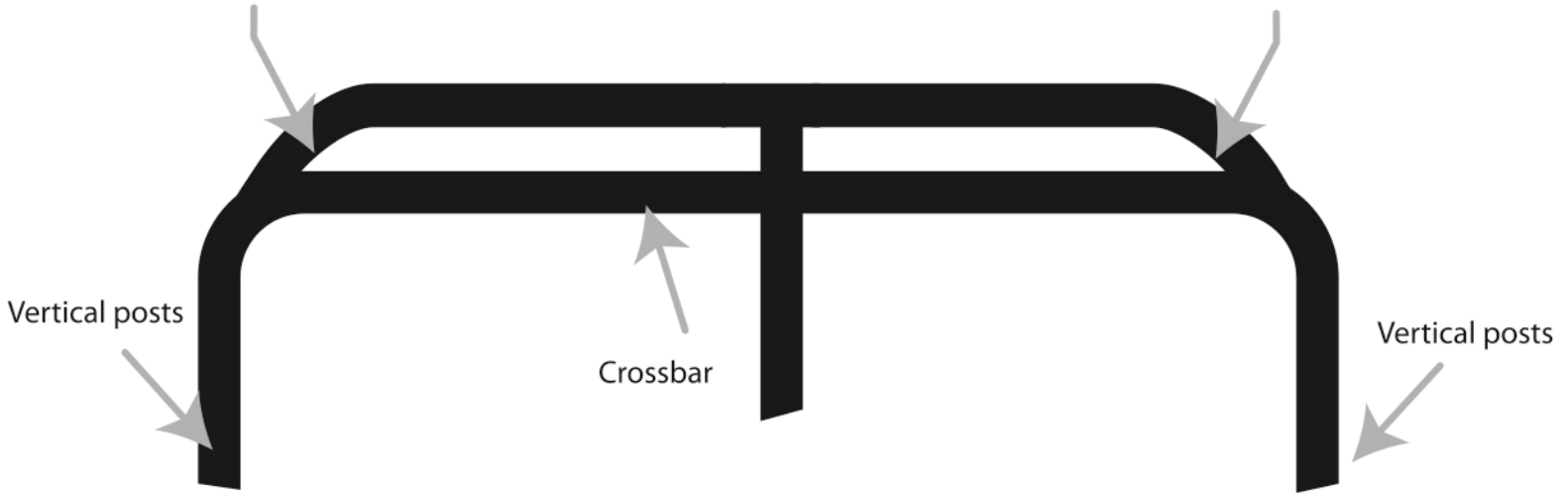
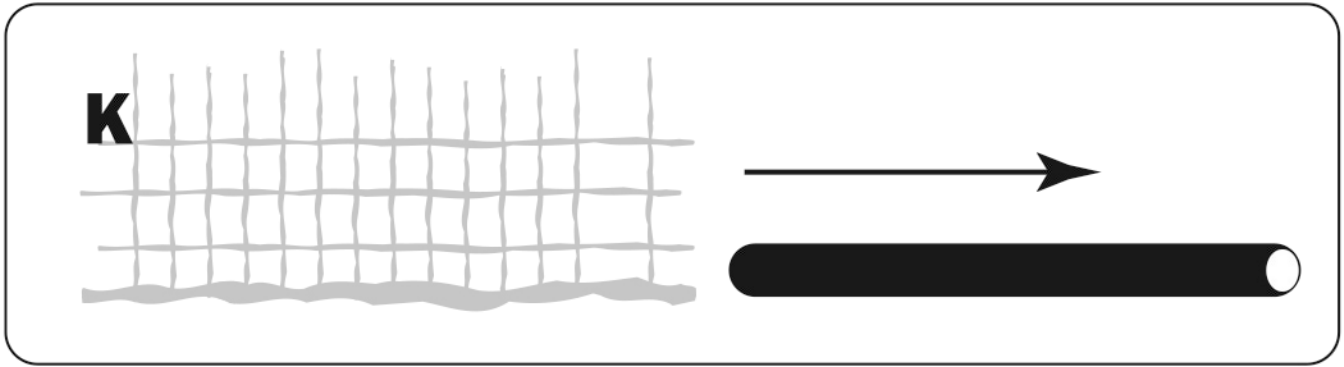
Assembly Instructions



Assembly Instructions

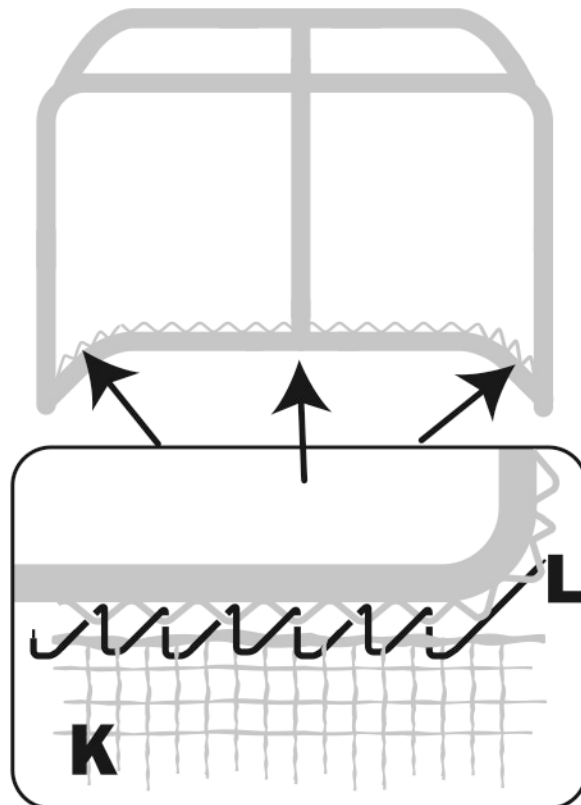
2

Slide mesh over cross bar and vertical posts.



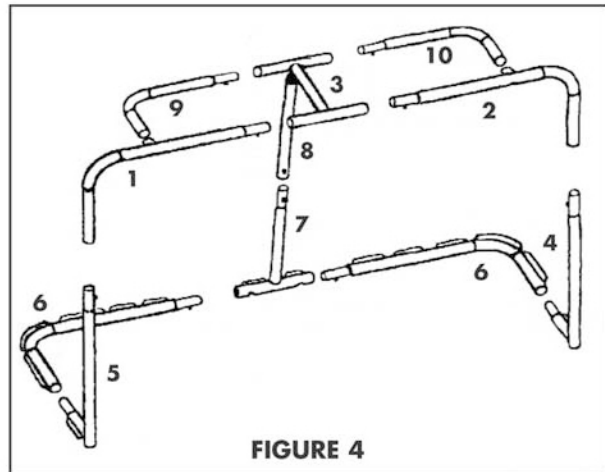
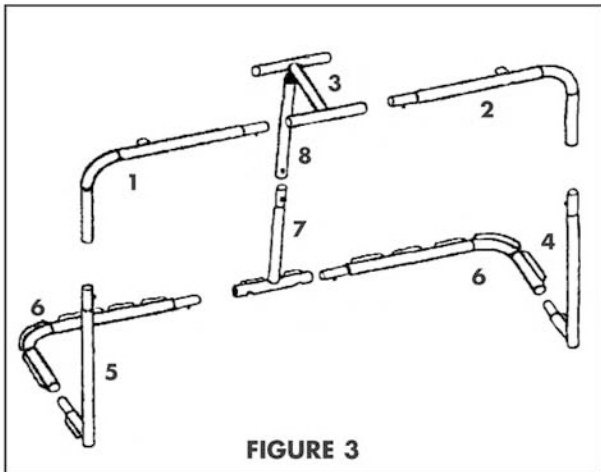
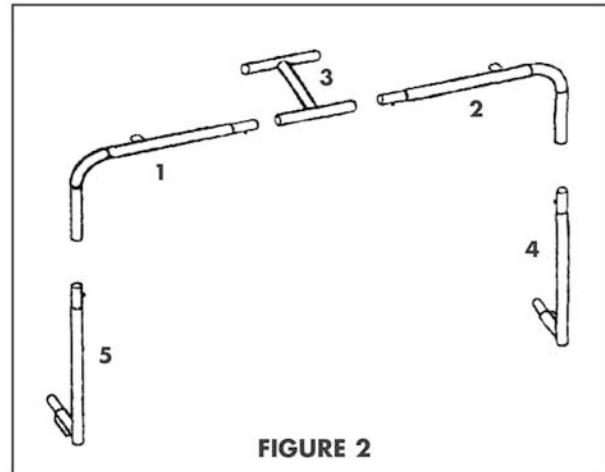
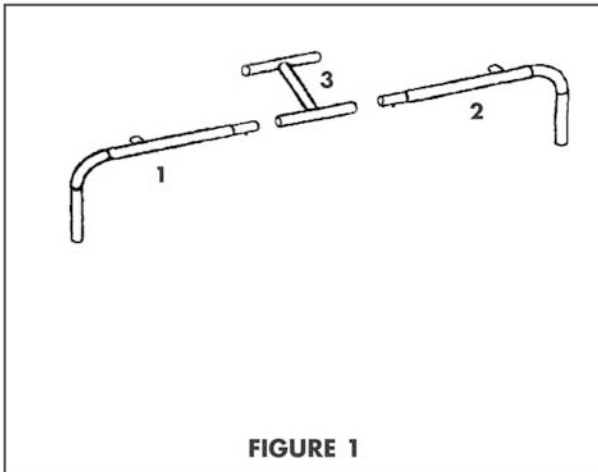
3

Lace mesh on bottom wire welds.



MINI HOCKEY NET

Assembly Instructions
Instructions d'Assemblée



1. Assemble L-shaped poles no's.(1) and (2) with the H-shaped pole no.(3), as figure 1.
2. Then assemble L-shaped support pole no.(4) with pole no.(2), and the other side no.(5) with pole no.(1), as figure 2.
3. Then assemble ground poles no.(6) with pole (4) and (5) respectively, then connect the two ground poles by the T-shaped pole no.(7), then connect it with the top H-shaped pole (3) with the straight pole no.(8), as figure 3.
4. Finally connect the two L-shaped top poles no's(9) and (10) to the H-shaped pole (3) and fasten the other ends to poles (1) and (2), as figure 4.

* THIS PRODUCT MUST BE ASSEMBLED UNDER SUPERVISION OF AN ADULT.

* BECAUSE THE PRODUCT CONTAINS SMALL PARTS, IT IS NOT RECOMMENDED FOR CHILDREN UNDER 3.

