

The Balanced Body

Allegro® Reformer Allegro® Tower System

THIS IS A MEDICAL DEVICE

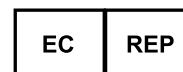
Englisch: ab Seite 1
Spanisch: ab Seite 50
Italienisch: ab Seite 103
Französisch: ab Seite 156
Deutsch: ab Seite 206
Chinesisch: ab Seite 259



Statement of Intended Use

The Allegro® Reformer Allegro® Tower System device is intended by the manufacturer to be used by people for the purposes of physiotherapy, rehabilitation, the prevention, treatment and relief of injuries, supportive, functional therapy for a disability or for general strengthening and improving the mobility of the human body. Should injury occur during usage please report to the manufacturer and competent authority of the Member State in which the user and/or patient is established.

For printed instructions contact Balanced Body.



EMERGO EUROPE
 Prinsessegracht 20
 2514 AP The Hague
 The Netherlands



IMPORTANT:

This manual is intended for medical and fitness professionals, or persons with experience in the use of this equipment. If there is a question regarding appropriateness of a particular movement, please consult a licensed health professional.

Safety Note: Warning – The Allegro contains flammable materials, please keep away from direct heat/exposed flame.

INTRODUCTION

The Allegro system is designed to combine the functions of the Allegro Reformer and the Tower or Half Trapeze into one compact and portable piece of Pilates equipment. The Allegro Tower can be installed on any Allegro and allows additional exercises to be performed without increasing the footprint of the apparatus. The following manual outlines the features of the Allegro Reformer and Allegro Tower as well as suggested exercises.

Balanced Body is the world's leading resource for Pilates equipment, education and information. The Balanced Body Studio Reformer is the biggest selling Reformer on the planet, and its Allegro Reformer now sets the Pilates standard for health and fitness clubs around the globe.

SET-UP TIPS (READ FIRST)

- » If you are setting up an Allegro Reformer with no Leg Kit, proceed with these Reformer instructions beginning on page 9.
- » If you are setting up an Allegro Reformer with with Leg Kit, install the legs first, see page 13, then set up the Reformer beginning on page 9.
- » If you are setting up an Allegro Reformer with a Tower System but no Leg Kit follow these instructions for the Reformer on page 9 and then continue to the Tower System section on page 17.
- » If you are setting up an Allegro Reformer with a Tower System and Leg Kit, install the Leg Kit first, see page 13, followed by the Tower on page 17, then the Reformer on page 9. To save time, do not re-install the head end rail cover plates as described at the end of the Leg Kit install instructions. You will need them off to install the Tower.
- » If you are setting up an Allegro Stretch Reformer, please see page 22. For Allegro Stretch footbar features please see page 25.

Features of the Balanced Body® Allegro® System

HEADREST

The headrest is used to optimally support the user's head, neck and shoulders while lying in a supine position. The Allegro has three headrest positions that are adjusted by a support block underneath the headrest:

- » **Low (flat)** – The support block is folded toward the top of the headrest. Used for clients with relatively flat thoracic spines and shallow ribcages for leg and footwork, and for any supine exercise.
- » **Safety Note:** The flat headrest position is used for all clients in exercises where they will be rolling up on to their shoulders. A flat headrest will keep the client from over flexing the cervical spine and injuring the neck.
- » **Medium** – The support block rests on the notch in the middle of the support block.
- » **High (up)** – The bottom of the support block rests on the carriage. Used for clients with a forward head or a deep rib cage to facilitate correct alignment.

Instructor Note: A towel can also be used in addition to or instead of the headrest to adjust the height of the head.

EASY TO USE PLUNGER LOCKOUT KNOBS

Balanced Body's Allegro® Reformer, and Clinical Reformer® and Studio Reformer® with Infinity footbars come with plunger lockout knobs that make adjusting and moving the Reformer footbar along the frame much easier.

To use, pull the plunger knob straight out so that the recessed cross-pin comes out of the slots as shown in Figure A. Then turn the knob so that the cross-pin rests on the bolt head as shown in Figure B. Repeat on other side.

With the knobs in the "locked out" position, reposition the footbar along the frame of your Reformer as desired. Then turn the knobs so that the cross-pin is once again recessed, firmly locking the footbar into its new position.

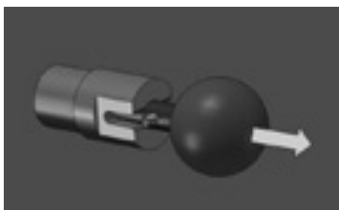


Figure A

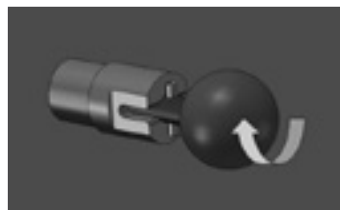


Figure B

HORIZONTAL FOOTBAR ADJUSTMENTS

The Allegro is equipped with an adjustable footbar that can be moved in order to accommodate users of different heights. To move the footbar, pull the round black knobs on the bottom of the footbar out and turn 90 degrees to lock out. Slide the footbar forward or backward until it is lined up with the desired hole on the track. Turn knob until the pin engages into a hole. Make sure the pin is fully engaged.

- » **Hole 1** is closest to the footbar end of the Reformer and creates the longest distance between the shoulder rests and the footbar. It is used for taller users (over 6' or where decreased knee and hip flexion is desired).
- » **Hole 2** is for users between 5'9" and 6'
- » **Hole 3** is for users between 5'5" and 5'9"
- » **Hole 4** is for users between 4'10" and 5'5"

The heights given here are suggestions. The footbar adjustment should allow the user to have slightly less than 90° of hip flexion when the carriage is all the way in for leg and footwork.

VERTICAL FOOTBAR ADJUSTMENTS

To adjust the footbar vertically, squeeze the handle at the bottom of the footbar until the pin disengages from the plate. Move the footbar to the desired height and release the pin into the hole.

- » **High Bar** – Move the pin into the highest hole and release the handle. The high bar position shortens the space between the shoulder rests and the footbar. This position is used for foot and legwork with shorter users, and with users who have difficulty keeping their back placement due to increased lumbar lordosis or a tight back.
- » **Middle Bar** – Place the pin in the 2nd hole from the top on the plate. The middle bar position lengthens the space between the shoulder rests and the footbar. This decreases the flexion of the knees in foot and legwork and places the torso in a neutral standing position.
- » **Low Bar** – Place the pin in the 3rd hole on the plate. The low bar position increases the space between the shoulder rests and the footbar to its maximum length. This decreases the flexion of the knees in foot and legwork, decreases the flexion of the torso and hips in elephant and can be useful for taller or more flexible users.
- » **No Bar** – Place the pin in the lowest hole on the plate. This position is used to move the bar out of the way for standing exercises and for exercises where the user is lying on the box.

SPRING ADJUSTMENTS

Springs are used to adjust the resistance for different exercises. There are at least 30 different resistance settings that can be used on the Allegro. Suggested weight ranges are noted under each exercise.

CHANGING THE SPRING ATTACHMENT POINTS

On the Allegro, spring tension is adjusted by attaching different combinations of springs to the pegs under the standing platform. To safely adjust the springs make sure the carriage is in the home position.

- » **Normal position** – Place the spring on the peg directly in front of it. In this position the springs are under no tension to start with. This is designated as “B” position. There are five B positions.
- » **Pre-loaded position** – Place the spring on the peg just to the left of right, under the standing platform. This position will put the springs under a small amount of tension and will increase the resistance of the springs. This is designated as “A” position. There are six A positions.

SPRING WEIGHT

Spring resistance is indicated by the approximate number of springs suggested for a specific exercise. The spring weight indicated is a recommended starting position. Individual adjustments can be made depending on user needs and the exercise.

- » 1 spring (light): Primarily used for arm work or where the carriage is providing light support
- » 2 springs (light to moderate): Used for arm work, legwork and exercises where the carriage is providing support to the user.
- » 2 – 4 springs (moderate to heavy): Primarily used for legwork and to increase resistance for stronger users.
- » All springs: Used to maximize resistance or to stabilize the carriage for the short box abdominal series.
- » No springs: Used for added difficulty in exercises where the user needs to control the carriage (kneeling abdominals, elephant, long stretch series).

SPRING PROGRESSIONS FOR THE ALLEGRO

Please note that these spring combinations represent the usual progression for a standard new machine and may vary slightly depending on the age and specific strength of your springs. The best way to find the optimal progressions for your machine is to test it yourself.

SPRING COLOR-CODING

These color codes are standard for Balanced Body Machines

Yellow – Very light

Blue – Light

Red – Medium

Green – Heavy

ROPES AND LOOPS

Ropes are adjusted according to specific exercise demands and user size. To minimize rope adjustments, double loop straps allow the user to grip the ropes at two different lengths without having to adjust them.

The rope adjustments used in the manual are:

- » Regular loops: Resistance of loop or handle is somewhat taut on shoulder rests. With the double loop straps, the user will hold the longer loop. Standard for most exercises.
- » Short loops: Resistance of loop or handle is somewhat taut on the black pegs. With double loop handles the user holds the smaller loop. Used for rowing and some arm work exercises.
- » Very short loops: Loop or handle is approximately 5 inches shorter than the headrest. Used for kneeling arm work facing the straps such as chest expansion or thigh stretch.
- » Long loops: Loop or handle is longer than shoulder rest by a length of one cotton loop. Used for long spine stretch or for feet in the straps for users with tighter hamstrings.

RISERS

Risers can be adjusted by loosening the knob that holds the pulley in the slot on the Tower and moving the pulley up or down.

THE ALLEGRO TOWER

The Allegro Tower consists of a metal frame that attaches to the head of the Allegro Reformer. Eyebolts in the frame provide attachment points for the springs. Loops, handles or a wooden Roll-down Bar can be attached to the springs creating a wide variety of exercises. The Allegro Tower also has a Push-through Bar.

SPRING ATTACHMENT POINTS

The Allegro Tower has 24 spring attachment points creating a variety of possible exercises and a limitless amount of adjustability. Each upright has 5 eyebolts on the front and 5 on the back allowing users to perform exercises from either side of the Tower. Two eyebolts are attached to the Allegro frame to create a low position, two eyebolts are attached to the sides of the arch of the Tower and one is attached at the highest point in the center. This single eyebolt is to hold the security strap in position. Do NO attach springs to this eyebolt. Common spring attachment points are listed below and in each exercise description.

In order to adjust the tension of the springs for a particular client, move the attachment point further away from the client to make the spring heavier, move it closer to the client to make it lighter.

Low: Springs are attached from eyebolts at the bottom of the Allegro frame. These springs are used to hold the Push-through Bar in position.

Middle: Springs are attached to the 3rd eye hook from the bottom.

High: Springs are attached to the high points on either side of the arch at the top of the Tower.

ALLEGRO TOWER SPRINGS

The Allegro Tower comes with 4 sets of springs as follows:

2 Sets - Short springs

Yellow – Very light Blue – Light

2 sets - Long springs

Yellow – Very light Purple – Medium

PUSH-THROUGH BAR ADJUSTMENTS

The Push-through Bar has two possible pivot points on the Tower frame. To adjust the Push-through Bar, push the button on the top of the T-pin in order to free the pin. Pull the pins out of the uprights, move the bar to the appropriate hole and re-insert the pins. Always return the Push-through Bar to a safe height if it has been moved.

SAFETY NOTE:

It is very important that the instructor be present and spotting the client whenever the Push-through Bar is in use. It is very important that the pivot point be high enough to clear the users head when they are lying under it. If a client has an especially large head, excessive thoracic kyphosis or a large nose, the bar can hit them when they are doing exercises. The Push-through Bar should never be adjusted low enough to hit a client who is lying under it. The safety strap must always be used when the Push-through Bar is sprung from below. The safety strap must be adjusted so that the angle of the Push-through Bar, when viewed from the side, is no lower than the four or eight o'clock position and will not hit the client should their feet slip off the bar.

UPHOLSTERY CLEANING AND DISINFECTING.

You can extend the life of your upholstery by keeping it clean and free of dirt, oil and perspiration. After each use, wipe down the upholstery with a solution of mild soap and water. Then wipe it down with clean water and dry with a rag.

Safety First: A guide to proper maintenance and safe use of your Pilates equipment.

For over 35 years, Balanced Body has been introducing safety-related innovations to Pilates equipment. Many of our improvements are now industry standards, resulting in Pilates equipment that's safer today than ever before.

Safety depends on proper maintenance and safe use, in addition to the quality of the equipment. This guide was created to help you use and maintain your equipment for optimum safety. Please read it through carefully and keep for future reference. If you have any questions, give us a call. **Failure to follow these instructions may result in serious injury.**

ALL EQUIPMENT

Springs

Spring inspections are critical to maintain your equipment in safe operating condition. All Balanced Body springs should be replaced at least every two years. Certain environments and usages can shorten the expected life of the springs and you may need to replace the springs more frequently. Therefore, it is very important to inspect springs on a regular basis since worn or old springs lose resilience and may break during use. Injury may result if a spring breaks during use.

During use, do not allow springs to recoil in an uncontrolled manner. This will damage the spring and shorten its expected life.

Inspect springs for gaps and kinks (weekly or monthly, depending on frequency of use). Look for gaps and kinks between the coils when the spring is at rest. It is not unusual for the spring to have a very small gap on the tapered end (a gap is sometimes created during the manufacturing process). However, there should be no gaps in the body of the spring. If you see any gaps or kinks in the body of the spring, discontinue use and replace the springs immediately. See **Figure 1**. Additionally, corrosion anywhere on the coils will shorten the life of the spring. Discontinue using the spring immediately if you see any rust or oxidation during inspection.



Figure 1

Snaps

Inspect snaps for wear (monthly). First, verify that the snap hook is working properly. If the snap hook does not retract and return properly, discontinue using the spring immediately and replace the snap. Eyebolts can cause excessive wear on snap hooks. If the hook shows a lot of wear, discontinue using the spring immediately and call Balanced Body to replace spring or snap. See **Figure 2**.



Figure 2: Good snap: no wear on hook. Bad snap: excessive wear on hook.

EYEBOLTS, NUTS AND BOLTS

Tighten all equipment bolts and screws (monthly). Verify that all eyebolts, nuts and bolts are tight. See the section titled "How to inspect and tighten nuts and bolts."

ROPES AND STRAPS

Rope and strap wear (quarterly). Ropes should be replaced if you can see the core of the rope through the outer lining, or if the ropes are flattened. Straps should be replaced as soon as any fraying is noticed. Be sure to check the sections of rope or straps that attach to the clips and run through the pulleys.

REFORMERS

Check springbar hooks or eyebolts (quarterly). Balanced Body makes two different springbar systems:

- » Revo Springbar. Make sure springbar hooks and handle are tight.

Standard Springbar. Verify that the nuts securing the springbar hooks are tight. See section titled "How to inspect and tighten nuts and bolts."

Spring rotation (quarterly). You can prolong Reformer spring life by rotating springs of the same weight each quarter. Unhook and move to another position on the springbar. Rotating springs helps them wear more evenly.

Risers on the outside. Wood risers must be installed on the outside of the frame. Risers can loosen over time, so always make sure they are tight.

Springs hooked downward under carriage. Make sure springs are hooked in a downward position. See **Figure 3**.

Secure the carriage. When your Reformer is not in use, be sure that at least two springs secure the carriage to the springbar.



Figure 3: Springs hooked downward

Default settings. Many users have a "default setting" for Reformers. At the end of a session, the user connects a prescribed number of springs in neutral tension, sets the footbar at a pre-determined height, and sets the ropes at a specified length. This ensures that the equipment is ready for the next use, and that the carriage is secured by the springs.

Footstrap under tension in box work. When using the box and footstrap, be sure the footstrap is under tension (with snaps pulling from the top of the eyebolt) before beginning the exercise. See **Figure 4**.



Figure 4: Foot strap under tension

REFORMER WHEEL AND TRACK MAINTENANCE

Clean the tracks and wheels (weekly). For smooth carriage travel and to maintain the longevity of the wheels, we recommend that you wipe down the tracks once a week.

Disconnect the springs and clean the entire length of the tracks with a soft cloth and Balanced Body Cleaner, mild soap with water or a mild commercial cleaner such as, Fantastik® or 409®. Do not use abrasive cleansers or pads, as they can damage the anodizing on the rails. To clean the wheels, hold the cloth against the wheels while you move the carriage. If you feel a bump in the ride, dirt has adhered to the surface of the rails or wheels. Clean hair and debris out of the rails. Hair can wrap around the wheel axles and eventually build up and cause wheel failure. Use tweezers to remove hair from the wheels.

Lubrication. Never spray silicone near or inside the wheels – this can wash the lubricant out of the bearings and ruin the bearings. You can purchase dry silicone at most hardware and auto parts stores. Pulleys sometimes require lubrication to stop a squeak. Direct a very quick spray of dry silicone or Teflon spray into the pulley. "Dry" silicone does not have an oil base. Oil-based ("wet") silicone and WD40 should not be used as they attract dirt. Be careful not to over spray. You may want to remove ropes to avoid getting silicone on them.

Do not lubricate the Allegro 2 rails.

Footbar supports (quarterly). For all Balanced Body footbars with footbar support brackets, verify that the pivot screw attaching the footbar support bracket to footbar is tight, but not so tight that it prevents the support from rotating freely. For Legacy Reformers, tighten the pivot bolt to secure footbar support.

Headrest (monthly). Make sure the hinge screws and bolts on your headrest are tight.

Under the Reformer (monthly). Move Reformers and make sure you clean the floor space underneath.

Standing Platform Footbar Bumpers (wood Reformers only). If your standing platform footbar bumpers (the small plastic pieces that protect the standing platform from the footbar) are broken or damaged, please call Balanced Body to replace.

TRAPEZE TABLE (CADILLAC) & TOWERS

Cotter pins removed. These pins are located in the vertical tubes that align the canopy to the frame and should be removed as soon as installation is complete. Unremoved cotter pins can tear clothing and lacerate the skin. Use pliers to remove the pins.



Figure 5: Cotter pin before and after removal from Trap Table.

Save the pins in case you need to disassemble and reassemble the table for transportation purposes. See **Figure 5**.

Push-Through Bar (PTB) with Sliders.

The PTB moves vertically to accommodate different users and exercises. The sliders on the tubes allow for this vertical movement. Make sure these sliders are clean and easy to move. Before beginning any exercise, ensure that the sliders are properly aligned with the PTB holes and locked into position. Apply a downward force to ensure. If you notice wear on the slider knob pins, please call Balanced Body to replace. Using the PTB in this condition could cause injury.

Weekly maintenance for Push-Through Bars with Sliders. Check to ensure the pins in the plunger knobs protrude and lock into the vertical tubes. Pull both knobs out and move the sliders to a different position. Release the knobs before the next hole and continue to slide the system into position. Once over a hole the pin of the knob will automatically drop into the opening. Once each slider is in a new position apply a downward force on the PTB. The pins of the sliders should not come out of the holes. If the pins do not stay in the tube holes, the pull knobs need to be replaced. Call Balanced Body for replacement parts.

Push-Through Bar (PTB) with T-pin setting. For bottom sprung exercises, if your client's head is below the PTB, use the T-pin setting in addition to the safety strap or chain. Spotting your client is highly recommended. This is important for safety.

Push-Through Bar (PTB) control. Make sure you have enough room around the trap table to safely use the PTB without fear of hitting other people. The PTB can be dangerous if not properly

used. Only trained, experienced users should use the PTB. A spotter should always maintain control of the bar with one hand. If the user should lose control of the bar, the spotter can maintain control of it.

Correct safety strap attachment. For bottom-sprung exercises, the safety strap or chain should always secure the bar.

The safety strap or chain should wrap around the PTB and the canopy frame, not the eyebolts. The strap or chain is only as strong as the weakest link, and the frame and bar are a great deal stronger than eyebolts. **Figure 6.**



Figure 6: Safety strap holding the push-through bar at 4 o'clock. The strap is secured to the PTB and canopy frame, not the eyebolts.

Spotting your client is highly recommended. This is important for safety.

Setting the PTB for bottom-sprung exercises. For bottom-sprung exercises, the safety strap should be attached so that the angle of the push-through bar is no lower than the 4 o'clock position. This limits the range of the bar and prevents it from potentially coming into contact with the user.

Using the 4th side on the PTB along with the safety strap is highly recommended to prevent injury.



Figure 7: Safety strap holding the push-through bar at 4 o'clock. The strap is secured to the PTB and canopy frame, not the eyebolts.

CHAIRS

Dismount with control. When dismantling the chair, release the pedals slowly, with control. Don't let the pedal snap back.

Spot users. When a user is standing, sitting or lying on top of the chair, there is increased risk of falling. Standing exercises, in particular, can be unstable. Spotting users will make these exercises safer.

Hourglass spring mounts. If your chair has hourglass spring mounts and the mounts do not successfully retain the springs, replace the fiber washers (they are reddish-brown in color).



Figure 8: Fiber washer

Figure 8. If your chair is a Balanced Body Split-step Pedal Chair (Combo Chair), please consider upgrading to the Cactus Springtree).

UPHOLSTERY CLEANING & MAINTENANCE

Cleaning. You can extend the life of upholstery by keeping it clean and free of dirt, oil and perspiration. After each use, wipe down the upholstery with a solution of mild soap and water. Then wipe it down with clean water and dry with a soft towel.

Disinfecting. Equipment upholstery is coated with BeautyGard®, which offers antibacterial protection. If you want additional disinfection, Balanced Body offers Balanced Body Clean™ disinfecting solution. Use of any other solution (especially those containing essential oils) will shorten the life of some equipment and is not recommended.

HOW TO INSPECT AND TIGHTEN NUTS AND BOLTS.

Use your fingers to check nuts and bolts for tightness. If you can turn the nut or bolt with your fingers, it's too loose and should be tightened. To tighten, first tighten using your fingers. Rotate nuts and bolts clockwise to tighten. Insert a screwdriver through eyebolts to hold them steady while you tighten the nuts. Then use a small wrench to tighten the nuts further. **Figure 9.**



Figure 9: Use two fingers to tighten bolts

It is recommended to check the pins on the PTB protrude and lock into the vertical tubes appropriately. To verify their function, first pull both knobs out and start moving the sliders to a different position. Release the knobs before the next hole and continue to slide the system. Once over a hole the pin of the knob will drop into the opening. Once each slider is in a new position apply a down force on the PTB directly downwards. The pins of the sliders should not come out of the holes. If the pins do not stay in the tube holes, the pull knobs need to be replaced; call Balanced Body for replacement parts.

EQUIPMENT INSPECTION AND MAINTENANCE LOG

We suggest that you keep a maintenance log for each piece of equipment. The log should include:

1. A description of the machine including the serial number, the date and place of purchase, and the manufacturer. All of this information should appear on the invoice.
2. Date and description of all required maintenance and inspections performed.
Date and description of each repair, including name and contact information for person or company performing the repair.

MAINTENANCE SCHEDULE

All Equipment	Day	Wk.	Mo.	Qtr.
Inspect springs for gaps & kinks		✓	✓	
Inspect snaps for wear			✓	
Inspect nuts & bolts for tightness			✓	
Reformers				
Clean wheels and tracks		✓		
Inspect springbar hooks/eyebolts				✓
Rotate springs				✓
Inspect ropes/straps				✓
Inspect footbar supports				✓
Inspect One-Step springbars				✓

REPLACEMENT PARTS

To order replacement parts, or if you have any questions, please call:

U.S. and Canada: 1-800-PILATES (1-800-745-2837)
United Kingdom: 0800 014 8207
Other locations: +1 916-388-2838

Fax: 916-379-9277
Email: info@pilates.com
www.pilates.com
5909 88th Street, Sacramento, CA 95828 USA

[Click here](#) for Balanced Body Patent Data.

ASSEMBLY AND MAINTENANCE PODCASTS

View our library of assembly and maintenance videos at www.pilates.com/podcasts.

How to Assemble the Allegro® Reformer

PARTS LIST

Part number	Description	Qty
950-002	Complete footbar	1
950-020	Shoulder bolts and washers	1 kit
950-228	Shoulder rest with brackets	1 pair
616-400	Locking shoulder post	2
GEN8000	Twist lock plunger knobs	2
210-070	Soft Touch Ropes	1 pair
210-064	Double loops (Soft Touch)	1 pair
950-225	Allegro riser with pulley	2
GEN9050	5/16" Allen wrench	1
ALL0060	Allegro wrench	1
SPR9070	Red spring	3
SPR9071	Blue spring	1
SPR9241	Yellow spring	1
UPH7040	Foam Pad for Standing Platform	1
GEN9282	5/32" Allen wrench	1
GEN9472	1/4"-20 Button head screw	2
GEN9054	Split washer	2
618-008	Transport bracket preinstalled with wheel	2

**IMPORTANT PRECAUTIONS:
PLEASE READ WARNING**

To reduce the risk of serious injury, read the following important precautions before using the Allegro.

- » Read all instructions in this manual before using the Allegro. Review the Setup and Safety video included with the Allegro before using the equipment. Use the Allegro only as described in these instructions and the video.
- » It is the responsibility of the owner to ensure that all users of the Allegro are adequately informed of all precautions.
- » Use the Allegro only on a level surface. Keep hands and feet away from all moving parts. When the Allegro is not in use, leave at least two springs connected to the carriage. Keep children under the age of 12 and pets away from the Allegro at all times.
- » If you feel pain, dizziness, or shortness of breath, stop exercising immediately.
- » Before beginning any exercise program, consult your physician.



INSTALL THE SHOULDER RESTS

1. Note the two protruding studs on the bottom of the shoulder rests. Lower the shoulder rest studs into the keyholes and slide away from the carriage pad. See Figure A.

Note: The shoulder rests can be installed in two positions. One position is wider, and more comfortable for broad shoulders. Swap the left and right shoulder rests to change between standard and wide configurations.

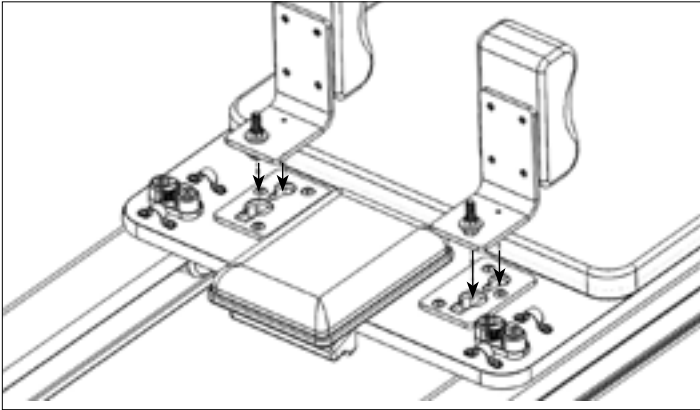


Figure A

2. Now screw the locking shoulder posts onto the exposed bolt on each shoulder rest. See Figure B.

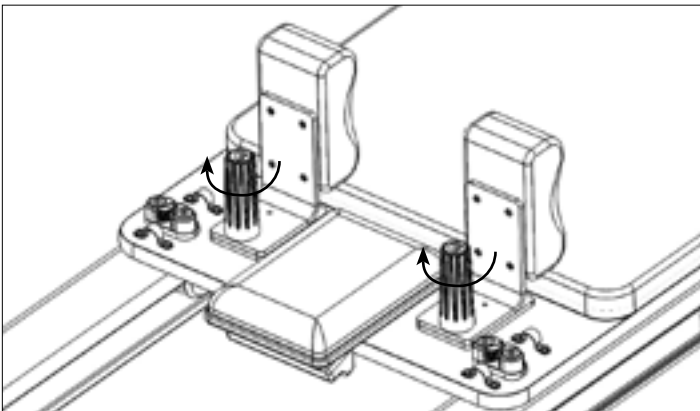


Figure B

Using the Locking Shoulder Posts:

Turn the posts clockwise to tighten them and lock the shoulder rests into position. Over tightening the posts will make them difficult to remove, they should be snug but not too tight. To remove the shoulder rests, turn the post counter clockwise 1-2 turns and gently slide the shoulder rests toward the carriage.

Figure C shows the storage position for the shoulder rests. Note the key hole slots at the head end of the Allegro frame.

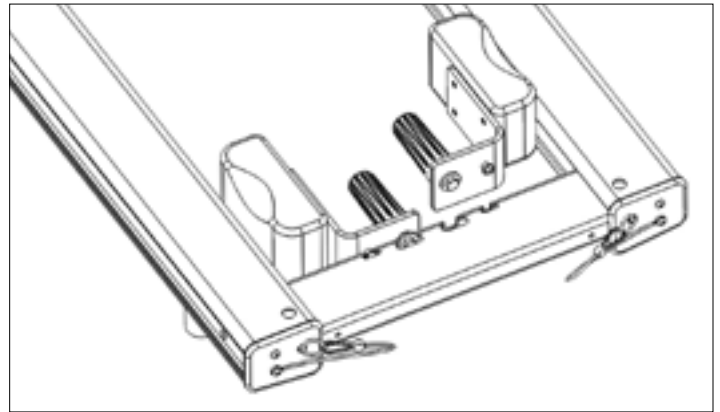


Figure C

INSTALL THE BLACK PLUNGER KNOBS

3. Look through the large threaded hole in the trunnion and line it up with one of the holes in the frame. Screw the plunger knob into the large hole until it is completely threaded in. See Figure D.
4. Repeat on other side. Tighten both plunger knobs securely with the included open end wrench.

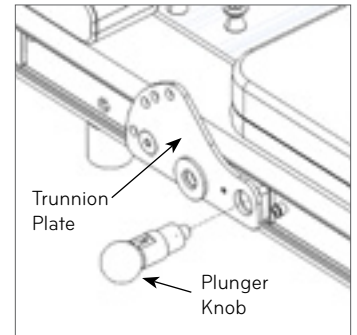


Figure D

To move the trunnions, pull the ball of the plunger knobs away from the frame and turn 90° to lock out. To re-engage the plunger turn the knob until it snaps into one of the holes in the side of frame.

Note: Make sure both trunnion plates are locked in the same horizontal position before moving on.

INSTALL THE FOOTBAR

5. Pick up the footbar so the seam of the footbar cover is away from the carriage pad.
6. While squeezing the footbar plunger levers, guide the footbar over the outsides of the trunnion plates. Align each footbar pin with the top hole in the trunnion plate. While continuing to support the footbar, release the footbar plunger levers to engage the trunnion plate. Be sure the pins on both sides are engaged. See Figure E.

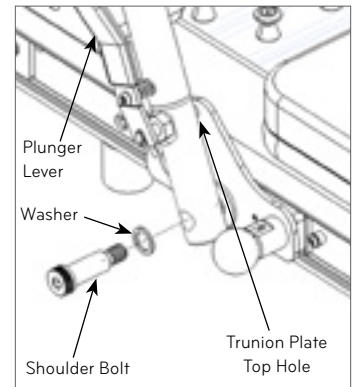


Figure E

- Pivot the footbar slightly until the large hole at the bottom of the footbar aligns with the remaining hole in the trunnion plate.
- Slide the shoulder bolt with one washer through the large footbar hole. Then screw the shoulder bolt into the trunnion plate as tightly as possible with the large Allen (GEN9050) wrench. Repeat on the other side. See Figure E.

INSTALL THE RISERS

- Remove locking pins from the frame. Insert the risers through the holes on the top of the frame. Turn the risers until the attached pulleys point straight down the frame toward the footbar. See Figure F.
- Reinsert locking pins until the metal ring touches the frame. You may need to jiggle or slightly lift or rotate the riser to get the locking pins in all the way.

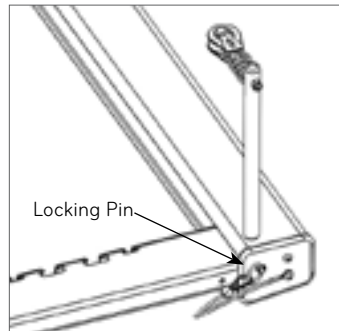


Figure F

ATTACH THE ROPES

- To attach the ropes, first engage at least one spring from the carriage to the frame to keep the carriage in the home position. Unroll the ropes and separate them.
- The Allegro now comes with Soft Touch Ropes that do not have the dog-clips to attach the loops. The clip will no longer drag on or bang into the frame! Follow the images below to install your loops. See Figure G.

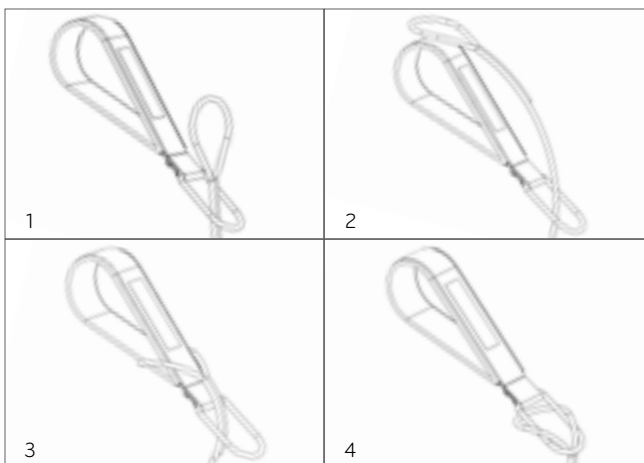


Figure G

- Rest the loops over the shoulder rests. Thread the other end of each rope through a riser pulley and back into the cam cleats on the carriage to adjust the length. Be sure to go through the chrome eyestraps on both sides of the cam cleats. Always push the rope firmly down into the cleats to ensure a good grip.

INSTALL THE TRANSPORT WHEEL BRACKET

- Remove the 1/4"-20 button head screw and the split washer attached to the last hole in the frame towards the footend of the reformer, as shown in Figure H, using the 5/32" Allen key. Slide the preassembled transport bracket into the channel in the rail at the foot end of the reformer. Line up the hole in the transport bracket with the hole in the frame rail. Use the 1/4"-20 button head screw and the split washer to attach the transport bracket on to the frame using the 5/32" Allen key. See Figure H for reference. Note: The wheel goes on the inside of the bracket (towards the frame) when it is mounted.

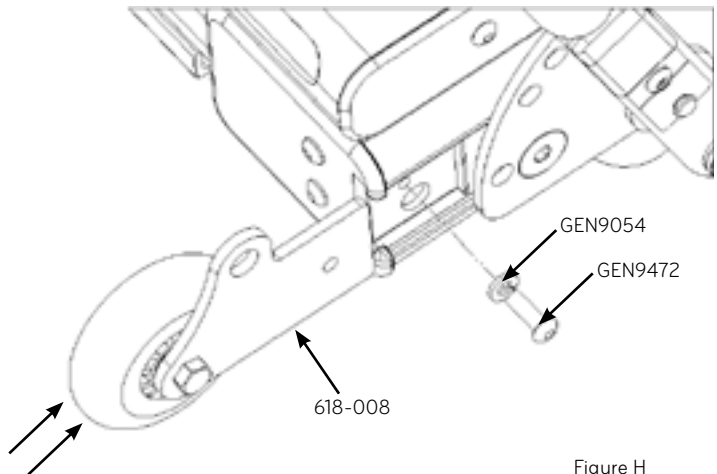


Figure H

- Repeat this for the other side of the reformer.

STORING THE ALLEGRO REFORMER

Stacking

To see a demonstration of how to stack the Allegro, watch the Setup and Safety portion of the Allegro Introductory/Level 1 DVD. Attach the springs to keep the carriage from moving. Move the footbar to the "down" position. Remove the shoulder rests and store in the slots at the head of the frame. Put the head rest down. Remove the risers and store in the holes on the sides of the frame. Place the ropes and loops inside the Allegro frame not on the carriage. Alternate the orientation of the Allegros as you stack them. Place the head end feet onto the standing platform of the Allegro below, and so on. Stack a maximum of 5 reformers with no legs (3 with legs). Do not stack Reformer with Towers.

Standing

It is absolutely critical that the Allegro footbar be set and locked in the correct position for standing storage. Move and lock the footbar into the position closest to the foot-end of the Reformer frame. Raise the footbar to its highest position. Lift the head-end of the Allegro frame to waist height. Then raise the frame to vertical. Use your foot to steady the wheeled end of the frame as you lift to vertical. The vertical Allegro will come to rest on the footbar and the transport wheels. See Figure H.



Figure H

CLEANING & MAINTENANCE

Cleaning

Wipe the carriage pad, headrest, footbar and shoulder rests with a soft cloth and a mild, non-abrasive cleaner after each use. Keep the carriage track and wheels clean from dust and dirt. Wipe the entire track with a towel regularly. Clean the footbar trunnion track weekly. Clean the frame with a mild, non-abrasive cleaner. Keep the ropes and springs clear of dust. Cotton loops can be machine-washed. Hang to dry.

Lubrication

The foot bar trunnion C-channel can be lubricated with dry silicone spray.

MAINTENANCE

» See the included Safety First Guide.

QUESTIONS?

Call Balanced Body technical support at 1-800-745-2838 (US and Canada), or +1-916-388-2838.

How to Install the Allegro® Legs Kit

PARTS INCLUDED:

Item No.	Part Number	Description	Qty
1	618-030	Allegro Leg, A	2
2	618-031	Allegro Leg, B	2
3	618-021	Leg Nut Plate	2
4	614-020	Wheel Bracket, Allegro Ext Leg	2
5	GEN8320	Allen Key, 3/16" Ball Point	1
6	GEN7321	Screw, Button Head, 5/16-18 x 3/4"	12
7	GEN7325	Screw, 1/4-20 x 3/4"	4
8	GEN9021	Nut, Nylock, 1/4-20	4
9	GEN9282	Allen Key 5/32" Short Arm	1
10	618-135	Polyurethane Foot Pads	4
11	GEN9600	Double Sided Tape	4
12	GEN6742	Flat Head Screw 10-24 x 5/8"	4
13	GEN9856	#10 Flat Washer	4
14	GEN9059	#10 Nylon Nut	4
15	GEN9284	1/8" Allen Wrench	1
16	FAK1000	Alcohol Wipe	4

TOOLS NEEDED (NOT INCLUDED):

- » Two 1/2" or adjustable wrenches
- » One 7/16" wrench
- » 3/8" wrench or socket

PREPARE THE NEW PADS

1. Remove the legs and other materials from the packaging and lay the legs on the floor with the bottom of the leg facing up, so the "L" shape face with three holes are on the floor
2. Remove the (4) Polyurethane foot pads, and (1) Alcohol wipe from the packaging. Open one wipe and thoroughly wipe down the top side of each foot pad. This is the side opposite the ribbing. If the wipe is dirty or becomes too dry use another wipe for the remaining pads. Set the pads aside and let these dry.
3. Open an Alcohol wipe to clean the bottom of each metal foot on the reformer. If needed use a secondary wipe.
4. If you have a Tower Of Power installed, remove the ropes, loosen the 4 tower knobs, and remove the tower.
5. Using the included shorter allen wrench, remove the 4 screws holding the head end cover plates and riser pins in place. Set them aside to be re-installed later. See Figure A.

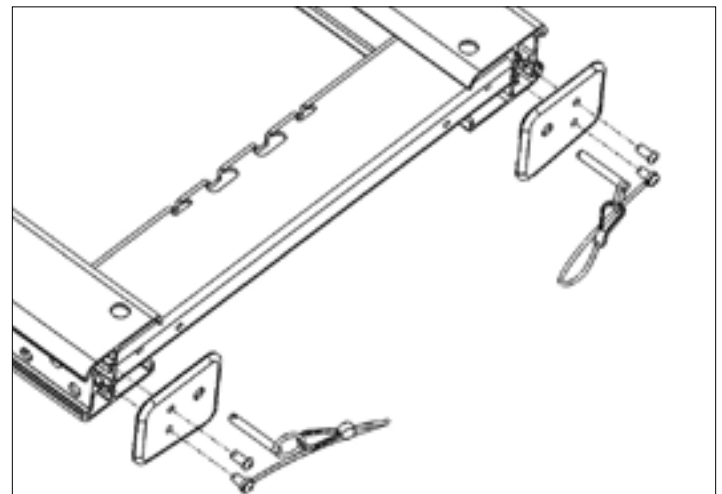
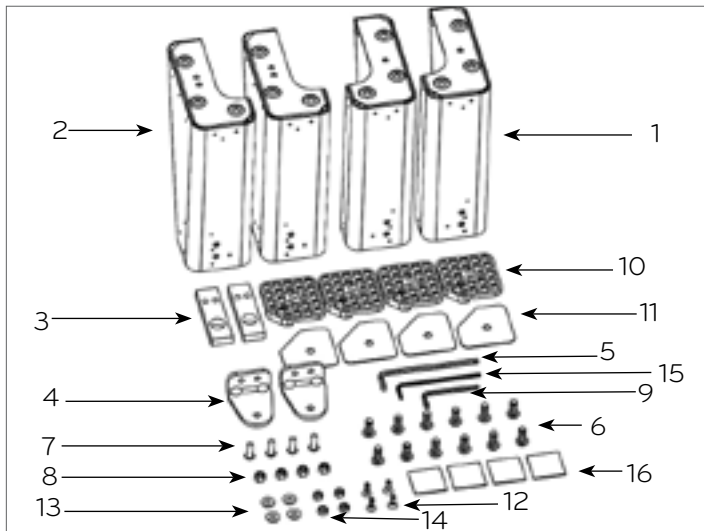


Figure A

1. Attach all springs to keep the carriage stationary. Remove ropes, shoulder rests, and risers. Place the footbar (if installed) in its lowest position and check that all pins are locked so that the footbar is secure. Then, with the help of a friend, lift the Allegro from both ends and carefully turn it upside down and set it on the floor. You may want to place a pad or other floor protection beneath the Reformer.
2. Remove the 4 rubber feet from the bottom of the Reformer frame by grasping them firmly with your hand and turning counter-clockwise. You can discard the feet unless you may want to convert back to a flat Allegro configuration.

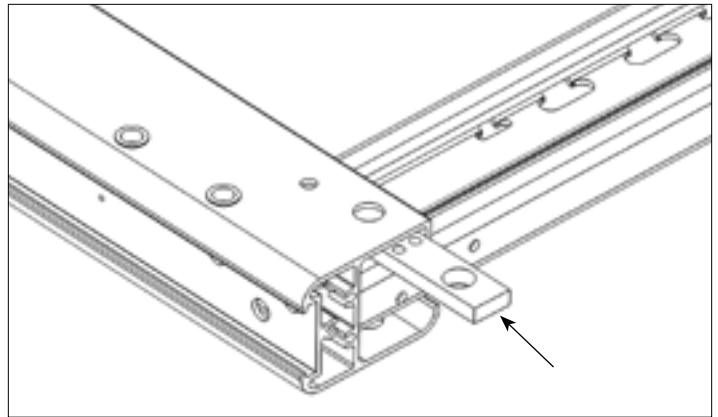


Figure D

3. Before proceeding ensure the tops of the new pads from step 2 are completely dry and no more alcohol liquid remains on the part. If the pads are not dry, the pad and tape will not bond. Peel one side of tape off the sticker and install it on a pad. Align the 45 degree corner side of the tape with the stepped corner of the foot pad. The center hole will go over the raised center circle. See Figure B.

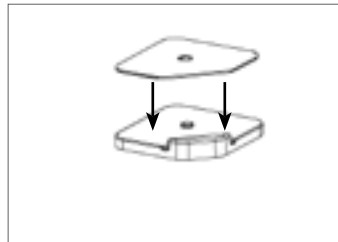


Figure B

4. Peel off the top side of the applied tape and install this pad assembly on the bottom of a cleaned leg. See Figure C.

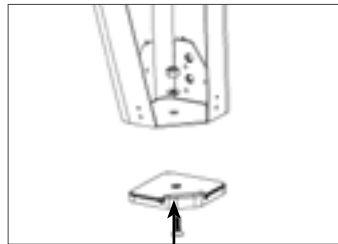


Figure C

5. Use one of each: #10 screw, #10 washer, #10 nut and the provided Allen wrench, plus a socket or wrench; Align the stepped corner of the pad with the opening of the leg. The raised center will go inside the center hole in the leg. Again refer to Figure C. Tighten the screw until the end just barely sticks out the top of the nut. **DO NOT OVER TIGHTEN.**

6. Repeat steps 8-10 for all other legs.
7. Insert the leg nut plates shown in Figure D into the Reformer frame until the big hole lines up with the riser hole in the frame. When it does, drop your riser through the frame and the block to hold it in place. See Figure D and E.
8. Now maneuver the leg nut plate so that the holes in Figure E line up when you look down through the hole in the frame. This will be one of the screw holes you will use to attach the legs.
9. With the risers still in place to locate the leg nut plates, place two of the legs onto the frame rail at the head end of the Reformer, lining up the holes in the leg with the three holes in the frame. The left and right legs are not the same so keep looking for one that matches the hole pattern in the frame. Now start threading all six of the 5/16-18 screws into the frame to secure the legs in place. Start with the screws that

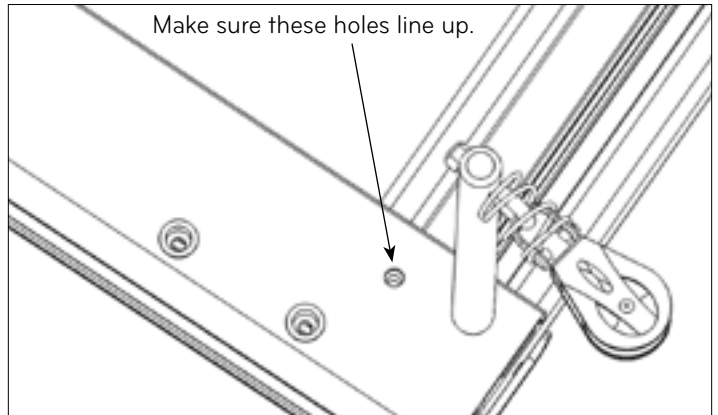


Figure E

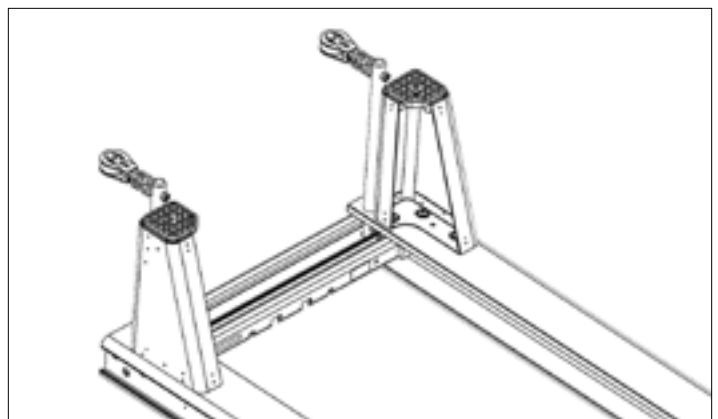


Figure F

go into the block that is held in place by the risers and once they are all started, tighten them. See Figure F.

Now you can remove the risers and set them aside.
NOTE: the long end of the included 3/16" allen wrench is ball shaped to allow for more maneuverability when working in small areas. Once the screws are finger tight, use the short leg of the allen wrench to tighten the screws.

1. Install the legs onto the foot end of the frame in the same way with the 6 screws. No leg nut plates are required at the foot end.
2. Using a 7/16" wrench and the included allen wrench, install the transport wheel brackets with the 1/4-20 screws and nuts as shown in Figure G. Make sure the brackets are oriented as shown. Typically these are installed at the foot end of the Reformer as shown in Figure G.

4. Re-install the head end rail cover plates on the same side you removed them from.

NOTE: If you will be installing a Tower System next, leave the head end rail cover plates off.

5. Your legs are installed and you may now carefully lift and turn your Allegro Reformer back over onto the legs. Re-install your shoulder rests, risers, and ropes.

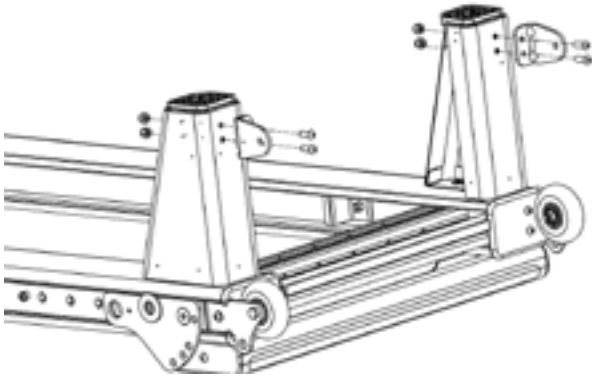


Figure G (Footbar not shown)

NOTE: The transport wheels can also be installed at the head end which allows you to move the Reformer with Tower more easily. Just make sure the carriage is rolled to the head end of the Reformer before lifting the foot end of the machine in this configuration.

3. Using two 1/2" or adjustable wrenches, remove the transport wheels from their current location and install them onto the brackets you just installed. Leave the old transport wheel brackets in place, as that is where a footstrap can be attached. See Figure H.

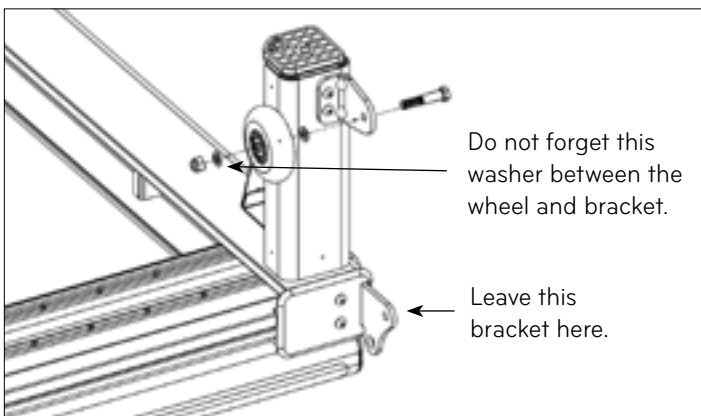


Figure H

NOTE: It is critical that the washers and wheel get installed in the same order and orientation as they were on the original brackets. Do one wheel at a time and if the wheel does not spin freely after you are done, double check against the other wheel to make sure everything is in the right order.

How to Install and Use the Standing Platform Pad

Your Allegro Reformer comes with a standing platform pad. Place the pad directly on top of the standing platform to use. This pad will make the standing platform height the same as your carriage pad. See Figure A.

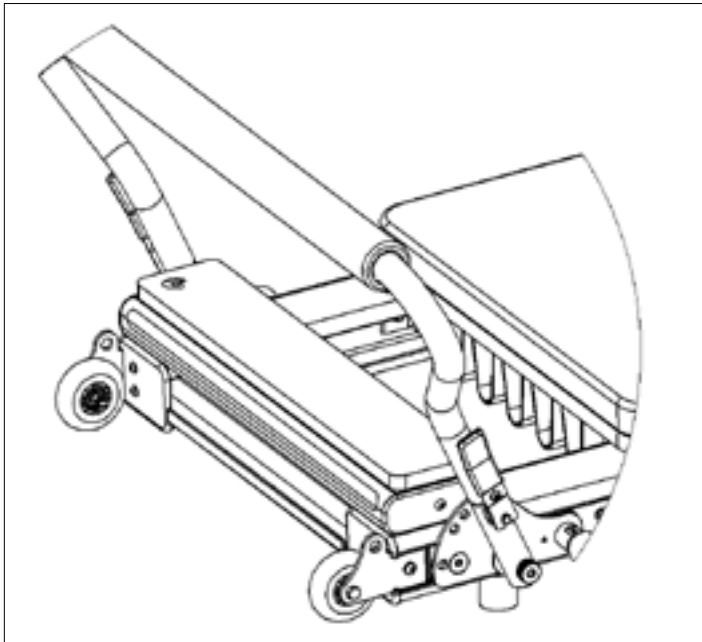


Figure A

Assembling the Allegro® Tower of Power™

Prior to assembly, check the parts and components received against the following list. If you are missing any parts, contact the Balanced Body customer service department at 1-800-PILATES (1-800-745-2837) in the U.S. and Canada, or +1-916-388-2838 (international).

PREPARE YOUR ALLEGRO REFORMER

If you have purchased an Allegro 14" leg set, we strongly recommend installing the legs before installing the Tower.

Remove all ropes and risers from the Allegro. If your Allegro was purchased before February 1, 2004, remove the labels and backing on the sides. You can order a new label free of charge by calling 1-800-PILATES (1-800-745-2837 in the U.S. and Canada, or +1-916-388-2838 (international).

PARTS LIST

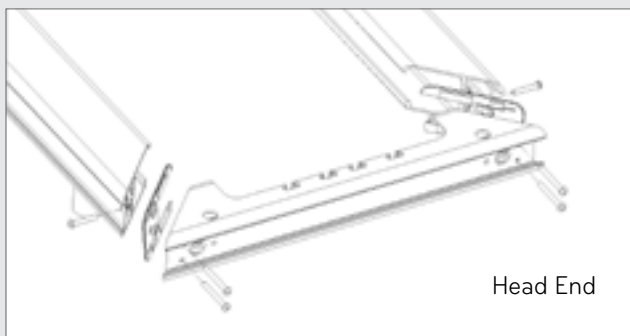
Description	Part Number	Qty
Tower	618-024	1
Push-through bar (PTB)	TRP0047	1
T-pin	GEN9892	2
Tower Bracket, Right	950-234	1
Tower Bracket, Left	950-235	1
Adjustable pulley and knob assembly	950-131	2
5/32" Allen key, long	212-001	1
Blue trap spring	SPR9004	2
Yellow trap spring	SPR9002	2
Long spring, purple	SPR9461	2
Long spring, yellow	SPR9006	2
Roll down bar	710-010	1
Single cotton loops	101-005	1 pair
Safety strap with carabiner	210-023	1
Tower lower spring mounts	950-236	1



IMPORTANT: READ FIRST

NOTE: If you have an original version of the Allegro with the angled corner joints (Serial Number less than 36396), follow these instructions.

- a. Using the provided 5/32" Allen wrench, loosen and remove the six screws (one on each side of the Reformer and 4 on the head end) that hold the head end of the frame on. If you have legs installed you will have to remove the leg bolts that attach to the head end of the frame. Take note of how the plastic shims between the frame members are oriented and how they fit.



- b. Install the Tower brackets as described in step number 3 below. Do not tighten the bracket screws.
- c. Re-install the head end of your Reformer frame with the plastic shims and screws removed in step a. The two shorter bolts go in the sides of the frame and the 4 longer ones go in from the head end. Get all 6 screws started, then tighten the screws until they are snug; do not over tighten them. If you have legs, reinstall those bolts also.
- d. Position the Tower brackets so they line up with the edge of the frame screws on the side of the frame. Then tighten the Tower bracket screws as described in step 4.
- e. Follow the instructions from step 6 until the end.

1. Using the provided 5/32" allen wrench, remove the plastic rail end caps and locking pins at the head end of the Allegro frame. They will need to go back on the same side, so keep track of which one goes where and keep the screws with them. See Figure A.

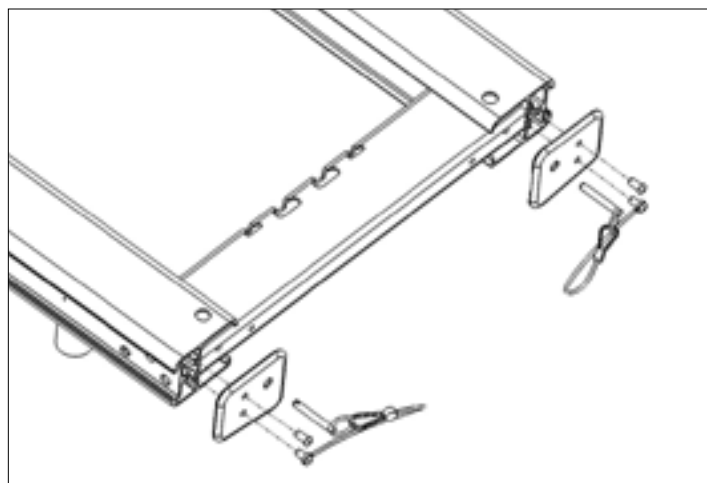


Figure A

2. Installing the Tower Mount Brackets:

- a. With the provided 5/32" allen wrench, loosen the 6 screws on each bracket 1-2 turns. Do not remove them, you just want some free play between the plates. See Figure B..
- b. Make sure the brackets are oriented as in Figure B (use the large grey knobs and screws as reference) and slide them into the C-channel of the frame.

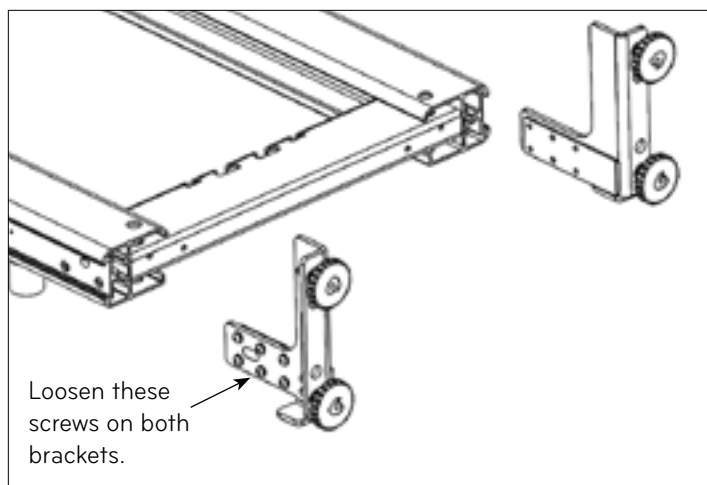


Figure B

3. Re-install the plastic rail end caps on the same side you removed them from. The lanyard and locking pins are no longer needed so they can be set aside with the risers. See Figure C.

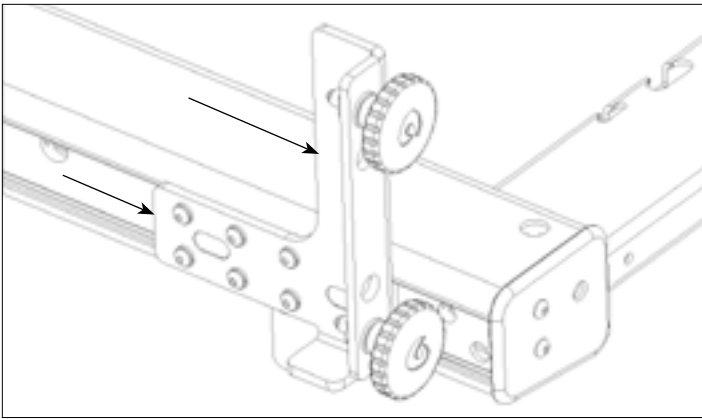


Figure C

4. Make sure both brackets are slid all the way up against the plastic rail caps. Using the provided 5/32" allen wrench, tighten the 6 screws on both Tower brackets. See Figures C and D.

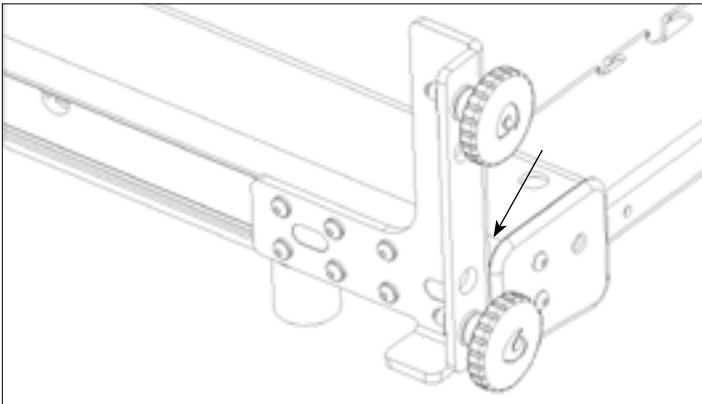


Figure D

5. Install the Tower frame onto the brackets.
 - a. Orient the Tower frame so that the large threaded holes at the bottom face away from the carriage.
 - b. Lift the Tower frame over the brackets and lower it around them so it rests on the ledge at the bottom of the brackets. See Figure E.
 - c. Slide the frame toward the bracket until it is flush.
 - d. With one arm or an assistant holding the Tower frame upright and in position, start threading the 4 large knobs into the Tower frame. You may have to push on the frame to get it into position with the knob, and if one is giving you trouble, just move onto the others and come back to it.

IMPORTANT NOTE: Get all four knobs started 3-4 turns into the Tower frame before tightening any of them. It is also critical that the Tower is parallel and flush against the bracket with the knobs. You may have to push/pull/twist the leg of the Tower to make it line up.

- e. Once all four knobs are started tighten them one by one.

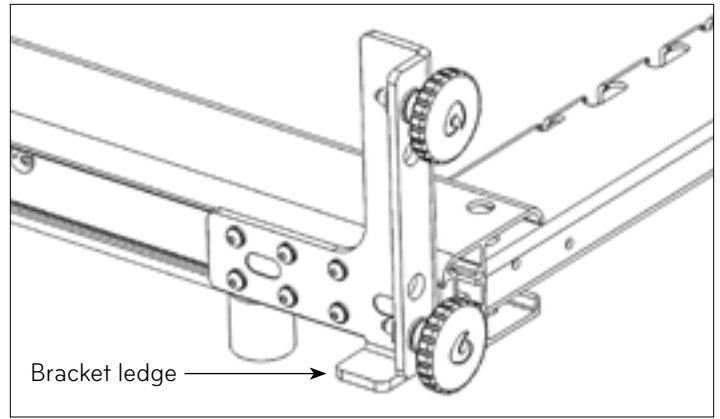


Figure E

6. Install the adjustable pulleys by assembling the components as shown in Figure F with the pulley on the inside of the frame. Tighten the knob when the eyebolt is horizontal as shown in Figure F. Repeat on the other side.

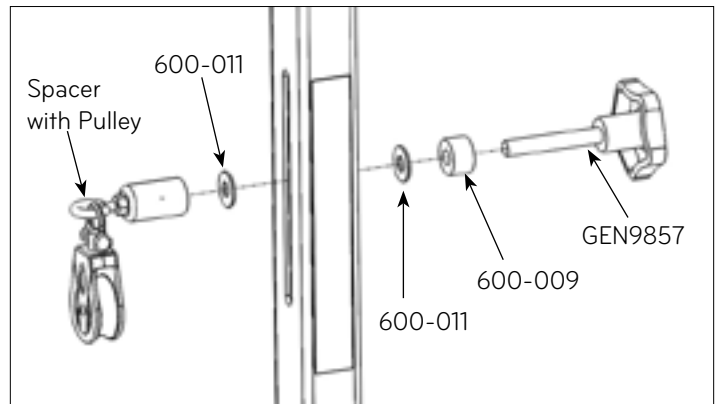


Figure F

7. Install the lower spring mounts in the head end of the frame with the long screw and the 5/32" allen wrench. Tighten the screw with the eyebolt oriented vertically as shown in Figure G.

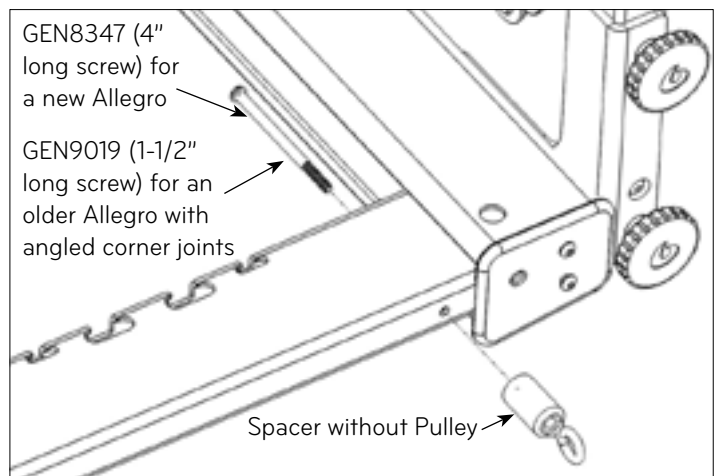


Figure G

8. Rethread your ropes through the new riser pulleys.

REPOSITION THE T-PIN

For shipping purposes, the Tower is packaged with the T-pins installed on the inside of the Tower frame. See Figure H.

- The T-pin should be installed on the outside of the Tower frame for use. To remove the T-pin, push the button on the handle of the pin while holding the push through bar (PTB) securely. Pull the pin free of the PTB and Tower frame. Reinsert the pin from the outside of the Tower frame. See Figure H.

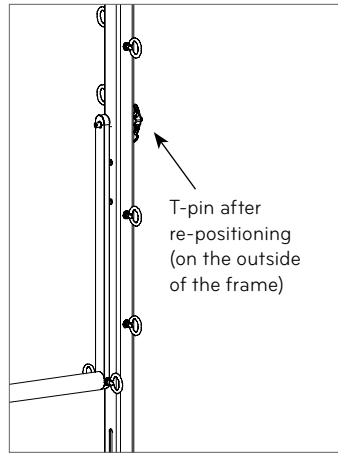


Figure H

INSTALLING MAT CONVERSION

- Disconnect all carriage springs
- Move the carriage to the head end of the frame and clear the ropes out of the way.
- Place the mat in the open space between the standing platform and the carriage.
- Remove the shoulder rests from the carriage (optional).

USING THE PRE-INSTALLED PUSH-THROUGH BAR (PTB) SAFETY STRAP

Note: Always use the safety strap for bottom-sprung exercises.

Use only with qualified instructor supervision. The PTB safety strap is used only for bottom-sprung exercises. The photo at right shows the safety strap correctly positioned to secure the push through bar. The strap includes numerous loops or "contact points" so that you can adjust the "stopping point" of the PTB if it is released during exercise.



Figure I

Note: Use the Velcro portion of the safety strap at the top of the Tower frame to secure the PTB upright when not in use.

MOVING AND STANDING AN ALLEGRO WITH TOWER

Note: Always exercise caution when moving, lifting, or storing an Allegro or an Allegro with Tower. Use proper lifting technique to avoid injury.

TO MOVE:

To move a Reformer with Tower a short distance you may be able to lift the head end and roll it on the transport wheels as if you did not have a Tower. Be aware that you will be lifting the Tower and Reformer so it will be heavier than the Reformer by itself. The Tower will also be rising quite high so you will have to be careful if you do not have high ceilings.

If moving the Reformer and Tower is not possible, remove the Tower, then move the Reformer.

- Pull the ropes back through the pulleys on the riser.
- Loosen the four gray Tower knobs and remove the Tower from the Reformer frame. If this is too heavy, the springs and push thru bar can be removed first. If you do not remove the push thru bar or roll down bar, be aware that they can swing freely.
- Now with the carriage held in the home position by at least 2 springs, lift the head end of the Reformer to roll.

Note: If you have the extended legs installed and have the transport wheels at the head end, you can leave the Tower installed and lift the foot end of the machine to roll it around. Make sure the carriage is at the head end of the frame before lifting. You will take up more room as you move around in this configuration but for some circumstances this is acceptable.

TO STAND:

- Remove the Tower frame as explained in the "To Move" section. **The Tower must be removed before standing.**
- It is absolutely critical that the Allegro footbar be set and locked in the correct position for standing storage. Move and lock the footbar into the position closest to the foot-end of the Reformer frame. Raise the footbar to its highest position. Lift the head-end of the Allegro frame to waist height. Then raise the frame to vertical. Use your foot to steady the wheeled end of the frame as you lift to vertical. The vertical Allegro will come to rest on the footbar and the transport wheels.

Note: It is absolutely critical that the Allegro footbar be set and locked in the correct position for standing storage.

How to install your Allegro® Wall Security Strap

The Allegro Wall Security Strap is designed to mount on walls with standard wood framing. If you have a different type of wall construction (brick, concrete, etc.), it may require a different fastener. Check with your local hardware store or contractor.

Parts List (included)

- » 1 adjustable belt strap
- » 1 3-1/2" eye-bolt

Tools Needed (not included)

- » Drill with 1/8" bit
- » Phillips or flathead screwdriver

INSTALL THE EYE-BOLT

1. Find a stud in the wall where you would like to stand your Allegro. Make sure you have ample space on both sides of the stud as well as above for the Allegro. Using a 1/8" drill bit, pre-drill a hole into the stud. The hole should be positioned 5' to 5 1/2' above the floor. Secure the eye-bolt into the pre-drilled hole with the screwdriver until the shaft of the eyebolt is completely within the wall.

USING THE WALL SECURITY STRAP

2. Follow your Allegro or Allegro Tower instructions for proper standing procedure.
3. Move the Allegro near the wall with the footbar pointed away from the wall (perpendicular to the wall).
4. Wrap the strap ends around one rail and connect the ends like a belt, using the adjustable clip.
5. Adjust the strap to remove any slack.



NOTE: Do not try to wrap the strap ends around the entire frame - it will not fit.

IMPORTANT: Balanced Body is not responsible for any damage or injury caused by improper wall mount installation, or the use of incorrect or improper wall mounting equipment.

If you have any questions, please call Balanced Body at 1-800-PILATES (1-800-745-2837) in the U.S. and Canada, or +1-916-388-2838 (international).

How to Assemble the Allegro® Stretch Reformer

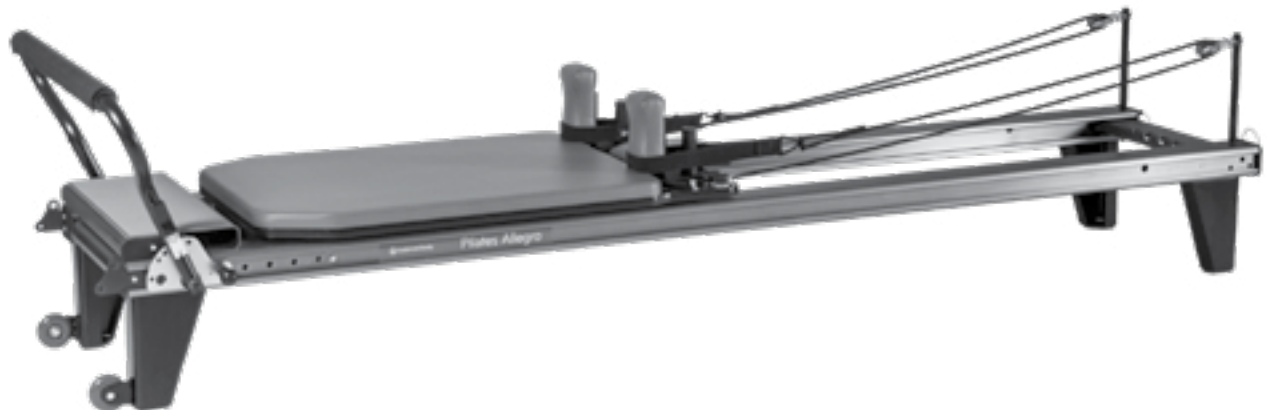
PARTS LIST

Part number	Description	Qty
950-002	Complete footbar	1
950-020	Shoulder bolts and washers	1 kit
950-228	Shoulder rest with brackets	1 pair
616-400	Locking shoulder post	2
GEN8000	Twist lock plunger knobs	2
210-057	Soft Touch Ropes, Stretch	1 pair
210-064	Double loops (Soft Touch)	1 pair
950-225	Allegro riser with pulley	2
GEN9050	5/16" Allen wrench	1
ALL0060	Allegro wrench	1
SPR9082	Red Stretch Spring	3
SPR9080	Blue Stretch Spring	1
SPR9076	Yellow Stretch Spring	1
621-008	Oversized Standing Platform	1
UPH7040	Foam Pad - Standing Platform	1
UPH7041	Foam Pad - Oversized Standing Platform	1

IMPORTANT PRECAUTIONS: PLEASE READ WARNING

To reduce the risk of serious injury, read the following important precautions before using the Allegro.

- » Read all instructions in this manual before using the Allegro. Review the Setup and Safety video included with the Allegro before using the equipment. Use the Allegro only as described in these instructions and the video.
- » It is the responsibility of the owner to ensure that all users of the Allegro are adequately informed of all precautions.
- » Use the Allegro only on a level surface. Keep hands and feet away from all moving parts. When the Allegro is not in use, leave at least two springs connected to the carriage. Keep children under the age of 12 and pets away from the Allegro at all times.
- » If you feel pain, dizziness, or shortness of breath, stop exercising immediately.
- » Before beginning any exercise program, consult your physician.



INSTALL THE SHOULDER RESTS

The stretch reformer comes with eight different positions of shoulder rests. Shoulder rests can be adjusted based on narrow or broad shoulders. The left and right shoulder rests can be swapped to achieve these configurations.

1. Note the two protruding studs on the bottom of the shoulder rests. Lower the shoulder rest studs into the keyholes and slide away from the carriage pad. See Figure A.

Note: One position is wider, and more comfortable for broad shoulders. Swap the left and right shoulder rests to change between standard and wide configurations.

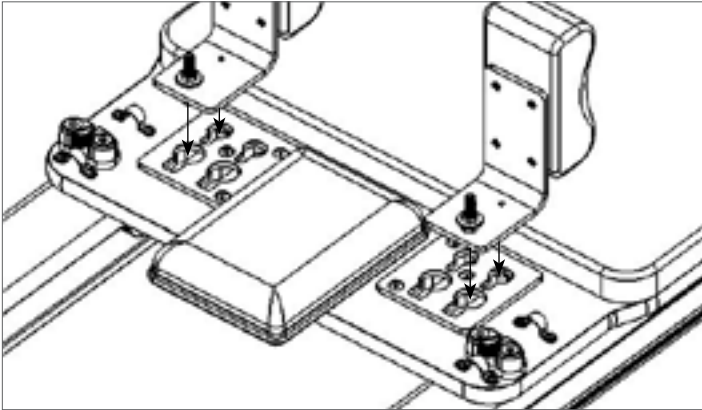


Figure A

2. Now screw the locking shoulder posts onto the exposed bolt on each shoulder rest. See Figure B.

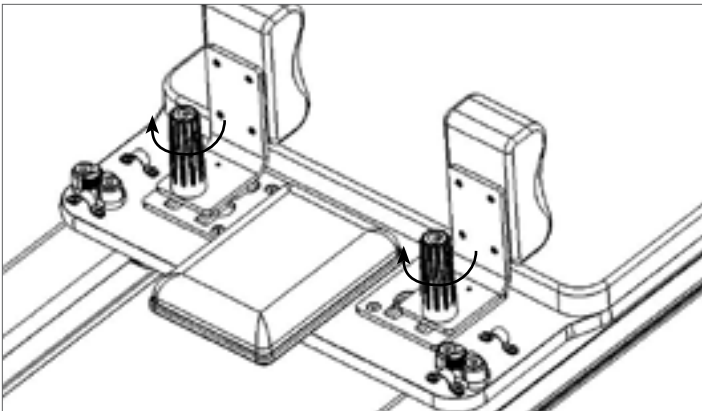


Figure B

Using the Locking Shoulder Posts:

Turn the posts clockwise to tighten them and lock the shoulder rests into position. Over tightening the posts will make them difficult to remove, they should be snug but not too tight. To remove the shoulder rests, turn the post counter clockwise 1-2 turns and gently slide the shoulder rests toward the carriage.

Figure C shows the storage position for the shoulder rests. Note the key hole slots at the head end of the Allegro frame.

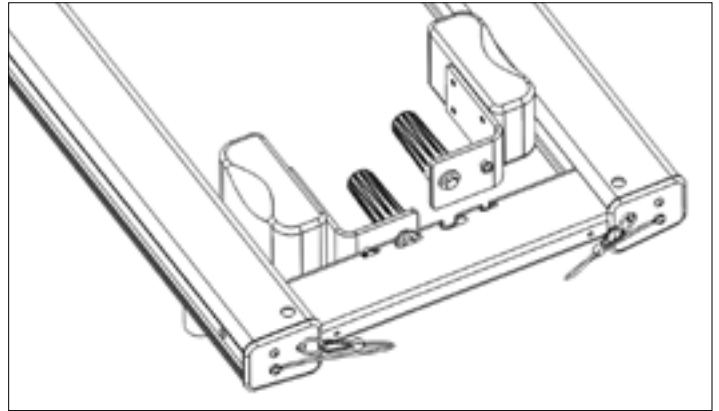


Figure C

INSTALL THE BLACK PLUNGER KNOBS

3. Look through the large threaded hole in the trunnion and line it up with one of the holes in the frame. Screw the plunger knob into the large hole until it is completely threaded in. See Figure D.

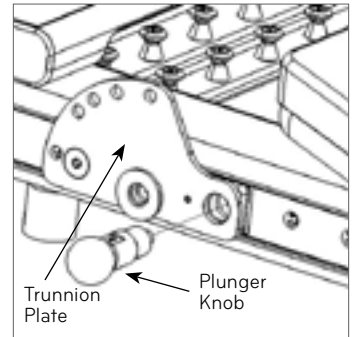


Figure D

4. Repeat on other side. Tighten both plunger knobs securely with the included open end wrench.

To move the trunnions, pull the ball of the plunger knobs away from the frame and turn 90° to lock out. To re-engage the plunger turn the knob until it snaps into one of the holes in the side of frame.

Note: Make sure both trunnion plates are locked in the same horizontal position before moving on.

INSTALL THE FOOTBAR

5. Pick up the footbar so the seam of the footbar cover is away from the carriage pad.
6. While squeezing the footbar plunger levers, guide the footbar over the outsides of the trunnion plates. Align each footbar pin with the top hole in the trunnion plate. While continuing to support the footbar, release the footbar plunger levers to engage the trunnion plate. Be sure the pins on both sides are engaged. See Figure E.
7. Pivot the footbar slightly until the large hole at the bottom of the footbar aligns with the remaining hole in the trunnion plate.

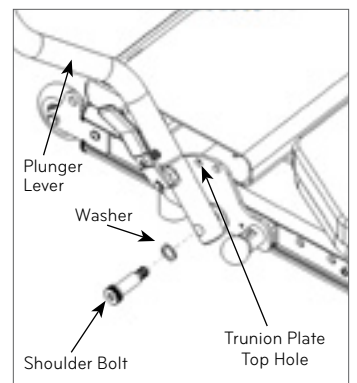


Figure E

- Slide the shoulder bolt with one washer through the large footbar hole. Then screw the shoulder bolt into the trunnion plate as tightly as possible with the large Allen (GEN9050) wrench. Repeat on the other side. See Figure E.

INSTALL THE RISERS

- Remove locking pins from the frame. Insert the risers through the holes on the top of the frame. Turn the risers until the attached pulleys point straight down the frame toward the footbar. See Figure F.

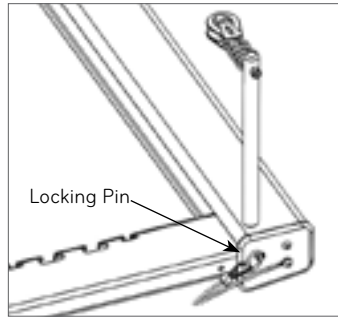


Figure F

- Reinsert locking pins until the metal ring touches the frame. You may need to jiggle or slightly lift or rotate the riser to get the locking pins in all the way.

ATTACH THE ROPES

- To attach the ropes, first engage at least one spring from the carriage to the frame to keep the carriage in the home position. Unroll the ropes and separate them.
- The Allegro now comes with Soft Touch Ropes that do not have the dog-clips to attach the loops. The clip will no longer drag on or bang into the frame! Follow the images below to install your loops. See Figure G.

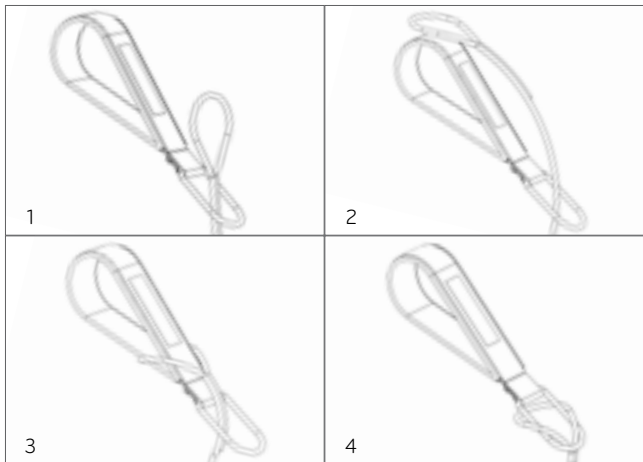


Figure G

- Rest the loops over the shoulder rests. Thread the other end of each rope through a riser pulley and back into the cam cleats on the carriage to adjust the length. Be sure to go through the chrome eyestraps on both sides of the cam cleats. Always push the rope firmly down into the cleats to ensure a good grip.

14. STORING THE ALLEGRO REFORMER

Stacking

To see a demonstration of how to stack the Allegro, watch the Setup and Safety portion of the Allegro Introductory/Level 1 DVD. Attach the springs to keep the carriage from moving. Move the footbar to the "down" position. Remove the shoulder rests and store in the slots at the head of the frame. Put the head rest down. Remove the risers and store in the holes on the sides of the frame. Place the ropes and loops inside the Allegro frame not on the carriage. Alternate the orientation of the Allegros as you stack them. Place the head end feet onto the standing platform of the Allegro below, and so on. Stack a maximum of 5 reformers with no legs (3 with legs). Do not stack Reformer with Towers.

Standing

If equipped with oversize standing platform, please make sure to take it out before standing the reformer. It is absolutely critical that the Allegro footbar be set and locked in the correct position for standing storage. Move and lock the footbar into the position closest to the foot-end of the Reformer frame. Raise the footbar one down from highest position. Lift the head-end of the Allegro frame to waist height. Then raise the frame to vertical. Use your foot to steady the wheeled end of the frame as you lift to vertical. The vertical Allegro will come to rest on the footbar and the transport wheels. See Figure H.



Figure H

CLEANING & MAINTENANCE

Cleaning

Wipe the carriage pad, headrest, footbar and shoulder rests with a soft cloth and a mild, non-abrasive cleaner after each use. Keep the carriage track and wheels clean from dust and dirt. Wipe the entire track with a towel regularly. Clean the footbar trunnion track weekly. Clean the frame with a mild, non-abrasive cleaner. Keep the ropes and springs clear of dust. Cotton loops can be machine-washed. Hang to dry.

Lubrication

The foot bar trunnion C-channel can be lubricated with dry silicone spray.

MAINTENANCE

- » See the included Safety First Guide.

QUESTIONS?

Call Balanced Body technical support at 1-800-745-2838 (US and Canada), or +1-916-388-2838.

New Footbar Features for the Balanced Body® Allegro® Stretch System

HORIZONTAL FOOTBAR ADJUSTMENTS

The Allegro is equipped with an adjustable footbar that can be moved in order to accommodate users of different heights. To move the footbar, pull the round black knobs on the bottom of the footbar out and turn 90 degrees to lock out. Slide the footbar forward or backward until it is lined up with the desired hole on the track. Turn knob until the pin engages into a hole. Make sure the pin is fully engaged.

- » **Hole 1** is closest to the footbar end of the Reformer and creates the longest distance between the shoulder rests and the footbar. It is used for taller users (over 6'3" or where decreased knee and hip flexion is desired).
- » **Hole 2** is for users between 6' and 6'3"
- » **Hole 3** is for users between 5'9" and 6'
- » **Hole 4** is for users between 5'5" and 5'9"
- » **Hole 5** is for users between 4'10" and 5'5"

The heights given here are suggestions. The footbar adjustment should allow the user to have slightly less than 90° of hip flexion when the carriage is all the way in for leg and foot work.

VERTICAL FOOTBAR ADJUSTMENTS

To adjust the footbar vertically, squeeze both handles at the bottom of the footbar until the pin disengages from the plate. Move the footbar to the desired height and release the pin into the hole.

- » **Vertical Bar** – Move the pin into the highest hole and release the handle. This position is the shortest space between shoulder rests and footbar. This position is used for foot and leg work with shorter users.
- » **High Bar** – Move the pin into the 2nd hole from the top and release the handle. The high bar position shortens the space between the shoulder rests and the footbar. This position is used for foot and leg work with shorter users, and with users who have difficulty keeping their back placement due to increased lumbar lordosis or a tight back.
- » **Middle Bar** – Place the pin in the 3rd hole from the top on the plate. The middle bar position lengthens the space between the shoulder rests and the footbar. This decreases the flexion of the knees in foot and leg work and places the torso in a neutral standing position.
- » **Low Bar** – Place the pin in the 4th hole from the top on the plate. The low bar position increases the space between the shoulder rests and the footbar to its maximum length. This decreases the flexion of the knees in foot and leg work, decreases the flexion of the torso and hips in elephant and can be useful for taller or more flexible users.
- » **No Bar** – Place the pin in the lowest hole on the plate. This position is used to move the bar out of the way for standing exercises and for exercises where the user is lying on the box.

Please refer to manual for all other Allegro features.

Easy to Use Plunger Lockout Knobs

Balanced Body's Allegro® Reformer, and Clinical Reformer® and Studio Reformer® with Infinity footbars come with plunger lockout knobs that make adjusting and moving the Reformer footbar along the frame much easier.

To use, pull the plunger knob straight out so that the recessed cross-pin comes out of the slots as shown in Figure A. Then turn the knob so that the cross-pin rests on the bolt head as shown in Figure B. Repeat on other side.

With the knobs in the "locked out" position, reposition the footbar along the frame of your Reformer as desired. Then turn the knobs so that the cross-pin is once again recessed, firmly locking the footbar into its new position.

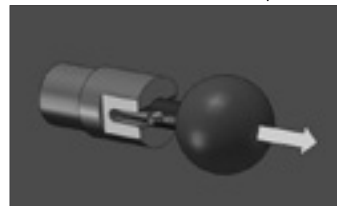


Figure A

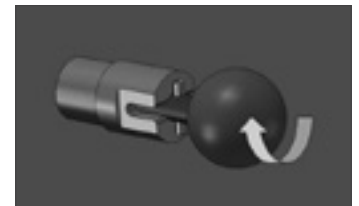


Figure B

How to Install and Use the Oversized Standing Platform

If you ordered an Allegro Stretch Reformer, your machine comes with the "New Style" Tilting Oversized Standing Platform and Oversized Platform Pad. If you ordered a normal Allegro Reformer, refer below to determine which Platform to order.

Determine which style of Allegro Reformer you have.

- » If the rails near your trunion and standing platform have a slotted hole, follow new style instructions and order part number 950-266; Oversized Standing Platform, A1b.
- » If your reformer does not have slots in the rails, please follow the old style instructions (separate sheet) and order part number 720-063; Oversized Standing Platform, A1b.

NEW STYLE

INSTALL THE OVERSIZED STANDING PLATFORM

1. Lower the Tilting Oversized Standing Platform (O.S.P) down onto the mounted standing platform. There are two tabs on the O.S.P. which will drop into slots in the standing platform. The pins on the underside will be facing toward your carriage. See Figure B.
2. Once the O.S.P. has the tabs installed, pivot it forward and down so that the pins lower onto the rails and fall into the slots in the rails. See Figure C.
3. You can now use your O.S.P. To access and change springs, tilt the O.S.P. up and away from the carriage. When finished with the change, lower the O.S.P. back down onto the rails.

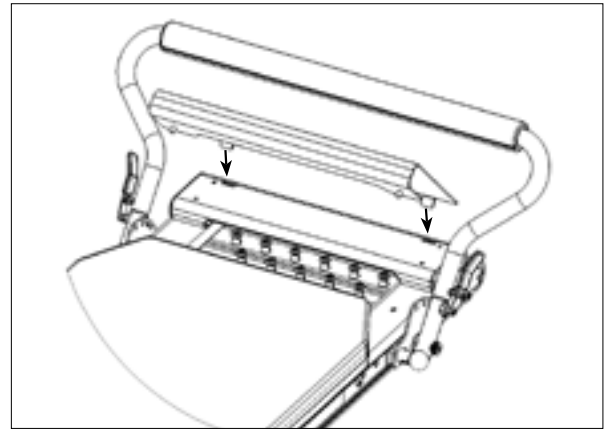


Figure B

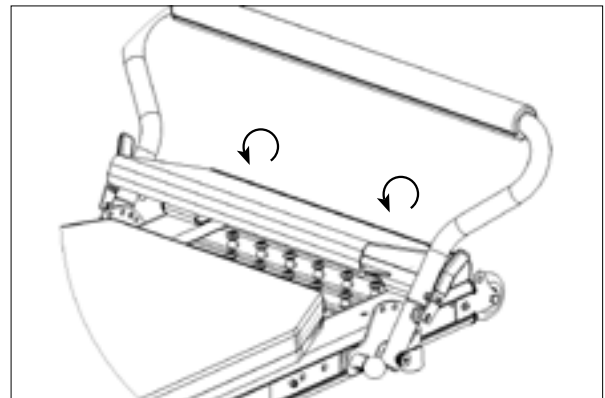


Figure C

How to Install and Use the Standing Platform Pads for the Allegro® Stretch Reformer

Your Allegro Stretch Reformer comes with two standing platform pads, one for the fixed standing platform, the other for the oversized standing platform. Place them directly on top of the standing platform to use. These pads will make the standing platform height the same as your carriage pad. See Figures A and B.

Note: You must remove the smaller pad to install the O.S.P. ONLY use one pad at a time.

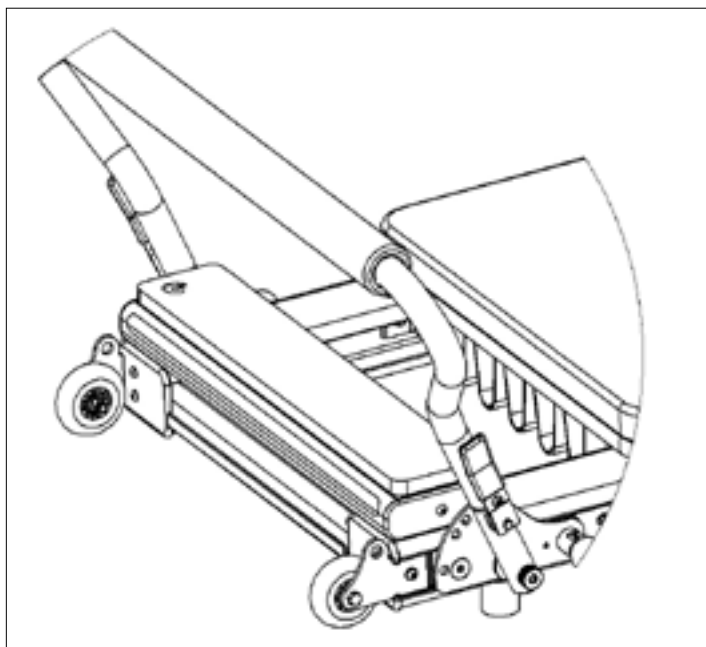


Figure A - Standing Platform Pad

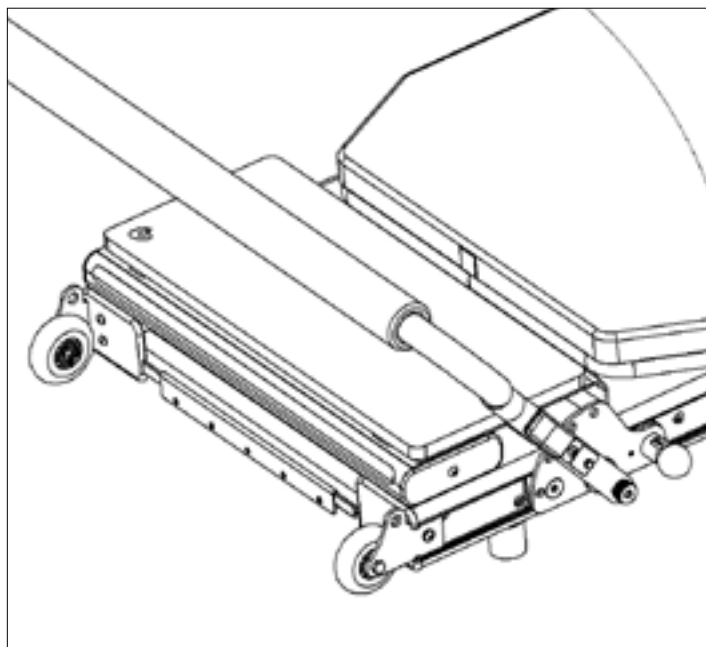


Figure B - Oversized Standing Platform Pad

SAFETY & MAINTENANCE

SAFETY

To reduce the risk of injury or damage, read all instructions and the following important precautions before using the Allegro Reformer Allegro Tower System.

- » It is the responsibility of the owner to ensure that all users of the Allegro Reformer Allegro Tower System are adequately informed of all precautions.
- » Use the Allegro Reformer Allegro Tower System only on a level surface.
- » Keep hands and feet away from all moving parts. When the Allegro Reformer Allegro Tower System is not in use, leave at least two springs connected to the frame.
- » Keep children under the age of 12 and pets away from the Allegro Reformer Allegro Tower System at all times.
- » If you feel pain, dizziness, or shortness of breath, stop exercising immediately.
- » Do not stand on the footbar.
- » Before beginning any exercise program, consult your physician.
- » Do not stand the Allegro Reformer Allegro Tower System on end without the wheel kit.

MAINTENANCE

- » Depending on frequency of use, the springs should be safe to use for one to two years (3000 hours). Replace any spring that is kinked, bent or shows separations while at rest.
- » If your ropes need to be replaced refer to the instructions on the underside of the carriage. The Reformer will need to be turned on its side (please place a Pilates mat on the floor next to the Reformer to protect the finish), or stood on end if you have transport wheels.
- » Remove hair and debris from the axles of the wheels. Debris can create pressure on the wheels, causing them to wear. If you hear noise from the bearings, replace them.
- » Repair any tears in the upholstery with an upholstery repair kit available at auto parts stores, or have the repair done locally.
- » Contact Balanced Body for other upholstery and re-upholstery options. Replacement upholstery is available from Balanced Body.
- » Check and tighten all screws and bolts. Replace any missing screws, retention pins, or other parts.
- » Check the footbar bolts on a monthly basis to make sure they are still secure.

CLEANING

Wipe the carriage pad, headrest, footbar and shoulder rests with a soft cloth and a mild, non-abrasive mixture of soap and water after each use. Keep the carriage track and wheels free from dust and dirt. Clean the frame with a mild, non-abrasive mixture of soap and water. Keep the ropes and springs clear of dust. Cotton loops can be machine-washed. Hang to dry.

NOTE: DO NOT LUBRICATE OR GREASE ANY COMPONENTS ON THE FOOTBAR, CARRIAGE, WHEELS OR RAILS. If you have any issues or questions please contact Balanced Body Technical Support. By adding lubrication or grease it may not lock the components securely and may become unsafe.

Questions? Call Balanced Body Technical Support at 1-800-PILATES or +1-916-388-2838 or info@pilates.com.

Reformer Exercises

FOOTWORK, ALL LEVELS

10 reps

Springs: 2 – 4 springs

Bar: Middle or High

Head rest: Up

FOCUS

- » **Breathing** – exhale out/inhale in, or inhale out/exhale in
- » Neutral spine
- » Pelvic stability
- » Hip, leg and ankle alignment
- » Hip, leg and ankle strengthening
- » **Circulation**
- » **Isolation** – release unnecessary tension in the upper body and hips

PRECAUTIONS

Sensitive to ankle, knee, hip flexion, spinal compression

STARTING POSITION

Supine on carriage, feet on foot bar, legs hip width apart

Heels

Heels on foot bar, push back and return

Toes

Ball of foot on bar, heels slightly raised, push back and return

Prehensile

Ball of foot wrapped around the bar, push back and return

Pilates V

Ball of foot on bar, turned out, low releve, heels together, push back and return

Flex/Releve

Ball of foot on bar, parallel, legs straight, plantar flex ankle, dorsiflex ankle, plantar flex ankle, bend knees, push back to starting position

2nd position

Heels at ends of bar, slight turn out, push back and return



Heels



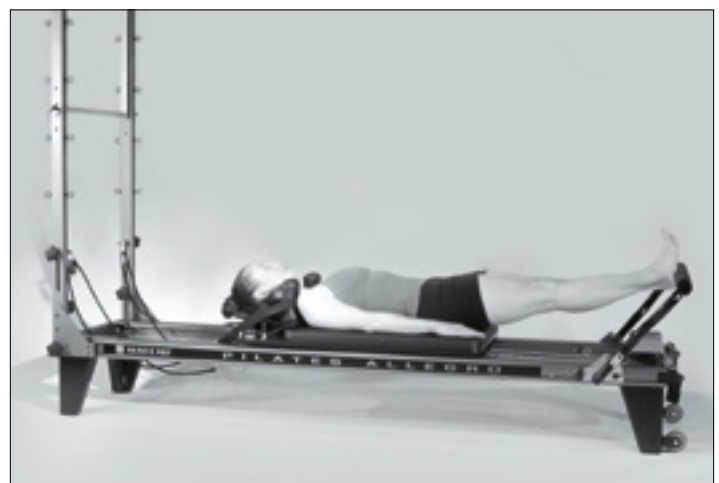
Toes



Prehensile



Pilates V



Running in place

Ball of foot on bar, dorsiflex one heel, bend the other knee, alternate legs 20-50 times

ROLLBACK, LEVEL 1

10 reps

Springs: 1 – 2

Bar: None

Loops: Short

FOCUS

- » Breath - exhale roll down/inhale roll up or inhale down/exhale up
- » Spinal flexibility
- » Abdominal strength
- » Shoulders down
- » Neck long
- » Soft hip flexors

PRECAUTIONS

Back injuries, neck injuries, hip flexor injuries. Be cautious with osteoporosis

PREREQUISITES

Comfortable in spinal flexion

STARTING POSITION

Seated facing ropes, knees bent, loops in hands with arms straight and elbows soft

Standard Exercise

Hold loops with arms straight, roll down, curving back and staying lifted, roll back up maintaining slight flexion in spine

Oblique Variation

Rotate knees to one side and torso to the other, roll down, switch rotation and roll up

Arm work Variations

Roll back and with low back on carriage add bicep curls or deltoid lifts for 3 reps, roll up



HUNDRED, ALL LEVELS

Sets: 10

Springs: 1 – 3

Bar: None

Loops: Regular

Headrest: Up

FOCUS

- » Percussive breathing - in for 5, out for 5
- » Stable pelvis – imprinted or neutral
- » Hollow abdominals
- » Abdominal strength
- » Shoulders down
- » Neck long

PRECAUTIONS

Back injuries, neck injuries, hip flexor injuries, osteoporosis

PREREQUISITES

Hundred on the mat

STARTING POSITION

Lying supine on carriage, knees at 90 degrees, hands in loops, arms to ceiling

Level 1

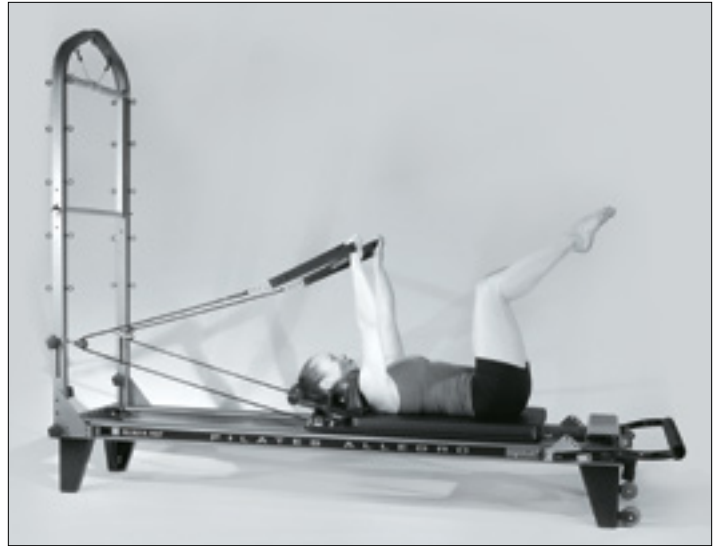
Knees bent at 90 degrees, reach arms to sides as the head and upper body lift off the carriage, pulse arms with breath

Level 2

Legs straight up to ceiling, reach arms to sides as the head and upper body lift off the carriage, pulse arms with breath

Level 3

Reach arms to sides as the head and upper body lift off the carriage, straighten legs to ceiling then lower legs keeping low back on mat, pulse arms with breath



COORDINATION, LEVEL 2

6 reps

Springs: 1 – 2

Bar: None

Loops: Regular

Headrest: Up

FOCUS

- » Breath – inhale start, exhale reach, inhale open/close, exhale return
- » Stable pelvis – imprinted or neutral
- » Hollow abdominals
- » Abdominal strength
- » Adductor strengthening
- » Shoulders down
- » Neck long

PRECAUTIONS

Back injuries, neck injuries, hip flexor injuries, be cautious with osteoporosis.

PREREQUISITES

Mat or Reformer Hundred

STARTING POSITION

Lie supine on carriage, knees at 90 degrees, hands in loops with elbows bent at 90 degrees and upper arms on carriage

Standard exercise

Reach arms to sides as the head and upper body lift off the carriage to Hundred position, open and close legs, bend knees first, then lower head and return arms to starting position



REVERSE ABDOMINALS, LEVEL 4

10 reps

Springs: 1 – 2

Bar: None

Loops: Regular

FOCUS

- » Breath - exhale to pull the knees in, inhale to release
- » Abdominal strength
- » Iliopsoas strength
- » Iliopsoas and abdominal coordination
- » Imprinted spine
- » Shoulders down
- » Neck long

PRECAUTIONS

Back injuries, neck injuries, hip flexor injuries, osteoporosis

PREREQUISITES

Mat Roll-up, strong abdominals, ability to maintain imprinted spine

STARTING POSITION

Supine facing ropes with an imprinted spine, knees bent at 90 degrees, loops around the knees, head supported with the hands, elbows wide

Standard Exercise

Maintaining imprinted spine, hollow out abdominals and pull knees above 90 degrees while flexing the torso and lifting the head up, return legs to starting position maintaining an imprinted spine

Oblique Variation

Rotate torso to the right, reach left hand across toward right knee, pull knees in toward the chest as arm reaches across (Repeat 4 – 8 times on one side and switch)



KNEELING ABDOMINALS, LEVELS 1-2

10 reps

Springs: 0 – 2

Bar: None

Loops: None

FOCUS

- » Breath – Exhale as knees pull in/ inhale to return to starting position
- » Pelvic stability
- » Abdominal strength
- » Pelvic stability
- » Scapular stability

PRECAUTION

Shoulder, elbow and wrist problems, inability to kneel

PREREQUISITES

Mat all fours hollowing (pregnant cat abdominals)

STARTING POSITION

Kneel on all fours facing straps with hands on the edges of the frame

Standard Exercise (flat back)

Face straps with knees against shoulder rests, keeping spine neutral and parallel to the ground, pull carriage toward the head by flexing at the hips

Variation – Oblique 1

Place both hands on one frame allowing torso to side bend and rotate while keeping hips as square as possible, pull both legs in increasing the movement of the torso

Variation – Single leg 1

Lift one leg off carriage and extend it in a straight line behind you, keeping the shoulders as square as possible pull one leg in maintaining a neutral back position



Posición inicial, frente a las correas



Con la espalda plana



Oblicuo 1

FEET IN STRAPS, LEVEL 1

6 reps

Set up: 2 springs

Bar: Any

Loops: Regular

FOCUS

- » Breath - exhale out/inhale in or inhale out/exhale in
- » Spine to mat or neutral spine
- » Hollow abdominals
- » Abdominal strength
- » Pelvic Stability
- » Hamstring, adductor and gluteal strength
- » Hamstring and adductor flexibility
- » Leg and hip alignment
- » Hip range of motion

PRECAUTIONS

Hip flexor injury, limited hamstring flexibility, back injuries, weak abdominals

PREREQUISITES

Adequate hamstring flexibility, ability to stabilize the back, Hundred

STARTING POSITION

Supine on carriage, loops around arches

Leg lowers

Hips stable, begin with inner thighs together, lower and raise legs

Variations: Legs parallel, turned out or turned in Magic circle or ball between the legs

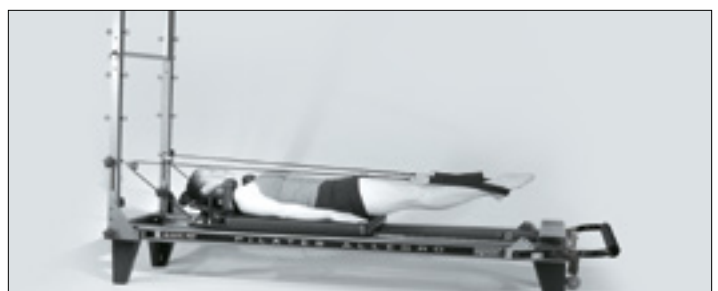
Scissors

Hips stable, begin with inner thighs together, open legs to sides and return

Variations: Legs stay over hips, legs move down toward the bar while carriage moves (V's)

Circles

Hips stable, begin with inner thighs together, moving legs down and around in circles or D's, reverse directions Variations: Legs parallel, turned out or turned in, or knees in straps



PULLING STRAPS, LEVEL 1

4 – 8 reps

Springs: 1 - 2 springs

Box: Long

Loops: Regular

Bar: Low or none

FOCUS

- » Breath – inhale pull, exhale release
- » Hip bones to mat
- » Hollow abdominals
- » Triceps, latissimus, lower trap and upper back strength
- » Head in line
- » Scapula placement
- » Leg and torso alignment

PRECAUTIONS

Shoulder, elbow and wrist injuries, some back problems

PREREQUISITES

Ability to lie prone

STARTING POSITION

Lie prone on long box with chest off front edge of box, foot bar down, facing ropes, grasp ropes.

Arms down

Pull ropes to hips along edge of carriage

Arms out to sides

Pull ropes to hips with arms extended out to the side

Upper back lift

Pull ropes along edge of carriage and lift upper back

Triceps press

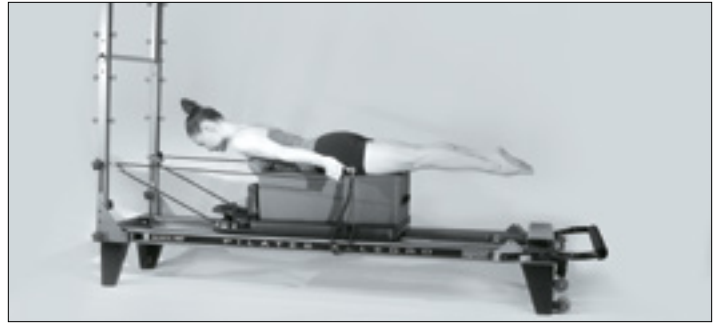
Pull ropes to hips along edge of carriage, keeping elbows in place, flex and extend the elbow

SWAN (LEVEL 2)

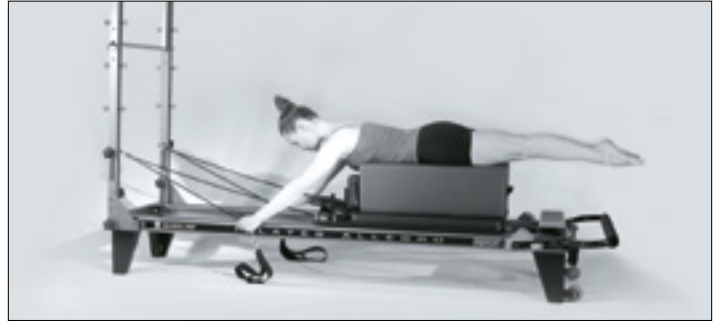
STARTING POSITION

Prone on long box, facing low or middle footbar, hands on bar.

Press out to straight arms, press down on the bar to lift into back extension, press torso back to flat, bend elbows.



Pulling Straps



Pulling Straps with Upper Back Lift



Swan

SHORT BOX - ABDOMINALS, ALL LEVELS

6 reps

Springs: 4 - 5

Box: Short

Strap: Foot strap

Pole in hands

FOCUS

- » Breath – inhale down/exhale back or exhale down/inhale back
- » Abdominal strengthening
- » Abdominal hollowing
- » Back strengthening
- » Back flexibility

PRECAUTIONS

Back, neck and shoulder injuries, osteoporosis

PREREQUISITES

Reformer Rollbacks, Cadillac Rollbacks

STARTING POSITION

Sitting on short box, facing footbar, feet under foot strap, knees slightly bent

Standard Exercise

Roll down with a long curve and roll back up

Oblique variation

Roll down with a long curve, rotate the torso to each side, roll back up



PELVIC LIFT, LEVEL 2

6 reps

Springs: 2 - 3

Headrest: Down

FOCUS

- » Breath – exhale up, inhale back, exhale in, inhale roll down
- » Hamstring and gluteal strengthening
- » Abdominal hollowing
- » Pelvic stability
- » Spinal mobility

PRECAUTIONS

Back problems, limited knee flexion, limit roll up with cervical problems

PREREQUISITES

Mat Pelvic Press

STARTING POSITION

Lying supine, ball of feet or heels on bar, legs parallel or V-feet and hips externally rotated

Standard Exercise

Roll pelvis up off the carriage, push back, keeping hips at one level, bring carriage in, roll down

Leg positions

Legs parallel, heels under sit bones

Legs parallel and inner thighs together

Legs in Pilates V with heels together

Heel frame width apart with the hips turned out.



ARM WORK, LEVEL 1 - 2

4 - 10 reps

Springs: 1-2

Box: long, short or none

Loops: very short, short or regular

Focus

- » Breath – inhale pull/exhale release
- » Biceps, triceps, pectoralis and deltoid strengthening
- » Scapular stabilization
- » Torso stabilization
- » Sitting posture

Precautions

Wrist, arm or shoulder problems, back problems with limited sitting ability

Sitting variations for all exercises

Sitting on carriage, cross-legged, legs straight or kneeling

Exercises Facing the Straps

Biceps

Holding very short loops in hands, bend elbows to pull straps to shoulders.

Triceps/Posterior Deltoid

Loops in hands, arms straight, pull straps back level with hips and pulse arms back

Exercises Facing Footbar

Serve a tray

Sitting facing footbar, regular loops in hands, elbows bent, reach forward, straighten arms, open arms to the side palm up and return

Hug a tree

Sitting facing footbar, regular loops in hands, arms out to sides, soft elbows, bring fingertips toward each other



Biceps



Serve a tray



Hug a tree



Triceps



STANDING, LEVEL 1 - 3

8 reps

Springs: 1 spring

Standing platform

FOCUS

- » Breath – exhale out, inhale in
- » Adductor and abductor strengthening
- » Abdominal hollowing
- » Standing alignment
- » Balance

PRECAUTIONS

Balance problems

Prerequisites

None

STARTING POSITION

Standing with one foot on standing platform, and one on the carriage. Face side of the room parallel to the side of the Allegro. Put the first foot on the frame and the second foot on the carriage.

Standard Exercise

Stretch legs open, close legs

Leg Position Variations

Legs straight, parallel, turned out

Legs bent, parallel, turned out



Allegro® Tower Exercises

DEFINITION OF EXERCISE SET-UP TERMS

- » **Level:** The level of expertise needed to undertake exercise.
- » **Reps:** How many times the exercise is performed.
- » **Springs:** Number and location of springs on the Allegro Tower.
- » **Loops:** Which loops should be used during exercise.*
- » **Focus:** What should be emphasized during exercise.
- » **Precautions:** Physical conditions that may limit or exclude a participant. Exercises may need to be modified for people with these conditions.
- » **Prerequisites:** Specific exercises that must be mastered before undertaking a new exercise.
- » **Starting Position:** Where to begin the exercise on the Allegro Tower.
*If applicable

ROLLBACKS, LEVEL 1

Springs: 2 long yellow or 2 short yellow springs from high position

Reps: 6-10

Rollback Bar or handles

Focus

- » Breathing – exhale roll down, inhale at the bottom, exhale to roll up
- » Balance between abdominals and lumbar extensors
- » Soft neck and shoulders
- » Maintain C-curve
- » Soft hip flexors

Precautions

Shoulder and neck problems, some low back problems, osteoporosis

Starting position

Sit facing Tower, holding on to bar or handles, knees soft, feet on metal bars.

Standard Exercise

Hold bar with arms straight, roll down, curving back and staying lifted, roll back up maintaining slight flexion in spine

Oblique Variations

- » Wooden bar (Water skiing)
- » Sit diagonally on table, place left foot against pole, cross right foot over ankle, place left hand on bar and reach right arm open while rotating torso to the right.
- » Roll down and up maintaining rotation, then switch sides.



Roll Backs



Water skiing

FEET IN STRAPS, LEVEL 1

Reps: 6

Set up: 2 springs

Bar: Any

Loops: Regular

Focus

- » Breath - exhale out/inhale in or inhale out/exhale in
- » Spine to mat or neutral spine
- » Hollow abdominals
- » Abdominal strength
- » Pelvic Stability
- » Hamstring, adductor and gluteal strength
- » Hamstring and adductor flexibility
- » Leg and hip alignment
- » Hip range of motion

Precautions

Hip flexor injury, limited hamstring flexibility, back injuries, weak abdominals

Prerequisites

Adequate hamstring flexibility, ability to stabilize the back, Hundred

Starting Position

Supine on carriage, loops around arches

Leg lowers

Hips stable, begin with inner thighs together, lower and raise legs

Variations: Legs parallel, turned out or turned in Magic circle or ball between the legs

Scissors

Hips stable, begin with inner thighs together, open legs to sides and return

Variations: Legs stay over hips, legs move down toward the bar while carriage moves (V's)

Circles

Hips stable, begin with inner thighs together, moving legs down and around in circles or D's, reverse directions Variations: Legs parallel, turned out or turned in, or knees in straps.



Starting Positions - Leg Lowers 1



Leg Lowers 2



Scissors 1 / Circles 1



Scissors 2



Circles 2



Circles 3

FEET IN STRAPS SIDELYING – LEVEL 1-3

6-10 reps

Springs: Long springs from middle position

Loops around arches

FOCUS

- » Breath - exhale down/inhale up
- » Correct side-lying position
(waist up, hips and shoulders in line)
- » Hollow abdominals
- » Pelvic stability and isolation of the leg from the pelvis
- » Adductor, medial hamstring and external rotation strengthening

PRECAUTIONS

Some back injuries, knee injuries, and unstable sacroiliac joints

STARTING POSITION

Lie on your side on Allegro Tower with back of body in line with back edge of mat and legs slightly forward.

Support body by bracing the bottom arm against upright pole or resting head on arm.

Place loop around arch

Standard Exercise

Pull top leg down toward bottom leg.

Maintain correct side-lying position.

Variations: parallel, turned-out (larger range of motion), turned-in.

Ovals

Maintaining correct alignment, move top leg in a small circle in both directions.

Variations: parallel, turned-out, turned-in

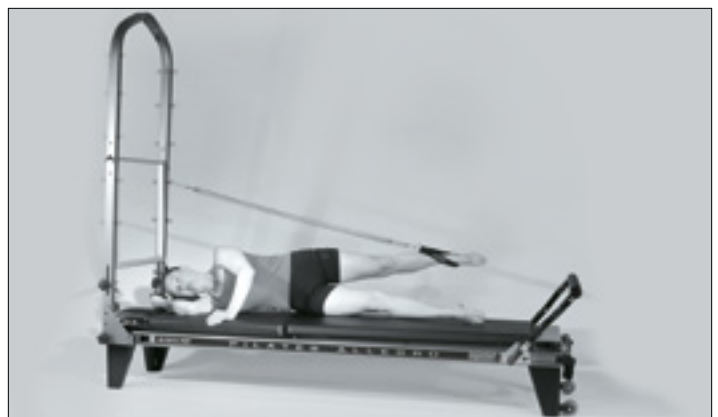
Front-Back Kick

Maintaining correct alignment, swing top leg forward and back (as in the Side Kick on the mat).

Variations: parallel, turned-out, turned-in



Tirar de los aductores



Patada hacia el frente y hacia atrás

FOOT AND LEGWORK, LEVEL 1

10 reps

Springs: 2 long purple springs from the bottom on Push-through Bar

Safety strap on

FOCUS

Breath – inhale push, exhale return

Spine to mat or neutral spine

Leg, ankle and foot alignment

Calf and hamstring flexibility

Foot, ankle and lower leg strength

PRECAUTIONS

Back injuries, knee injuries

STARTING POSITION

Supine on Allegro Tower with feet on Push-through Bar, and springs attached from low position onto the Push-through Bar

Plies

Lie supine with the Push-through Bar in line with anterior hip crease, flex knees, flex hips, with metatarsals or heels on the bar, and straighten legs and return.

Foot position variations: Heels, Toes

Leg variations: parallel, turned out, v-feet, wide 2nd position, single leg

Plie/Releve

Lie supine with the Push-through Bar in line with anterior hip crease, hips flexed, knees bent, metatarsals or toes on the bar.

Push the bar up toward the ceiling straightening the knee, plantarflex the ankle, dorsiflex the ankle and return.

Variations: parallel, turned out, single leg

Plantarflexion

Lie supine with Push-through Bar in line with anterior hip crease, legs straight, metatarsals or toes are on bar, plantarflex and dorsiflex the ankles.

Variations: parallel, turned out, single leg, running in place



Plies



Plantarflexion - 2 legs



Plantarflexion - alternating legs

SEATED PUSH THROUGH, LEVEL 1

6 reps

Springs: 1 short red spring from above on Push-through Bar

FOCUS

- » Breath – exhale stretch forward, inhale stretch up or reverse
- » Spinal flexion and extension
- » Hamstring flexibility
- » Scapula stability/mobility
- » Abdominal hollowing and lift
- » Coordination of breath with spinal mobility

PRECAUTIONS

Some back injuries, shoulder injuries

PREREQUISITES

Mat – Spine Stretch

STARTING POSITION

Sit on table facing Tower, with feet against upright bars, and both hands on the Push-through Bar (knees can be bent or straight depending on flexibility).

Standard Exercise

Push bar down, curve spine forward beginning with top of head, reach the bar forward and stretch.

Return by hollowing out abdominals and stacking one vertebra on top of another until sitting up on the sit bones.

Press bar up and lean forward from hips with a flat back before beginning again



CAT, LEVEL 3

4 reps

Springs: 2 short springs from above on Push-through Bar

FOCUS

- » Breath – exhale roll down, inhale to extend out, exhale pull back, inhale uncurl.
- » Spinal flexibility
- » Scapula stability/mobility
- » Abdominal hollowing and lift
- » Coordination of breath with full spinal mobility

PRECAUTIONS

Back injuries, shoulder injuries, knee injuries, and osteoporosis

PREREQUISITES

Mat – Cat/camel stretch

STARTING POSITION

Kneeling on table, hands on Push-through Bar with the bar close to the body.

Standard Exercise

Press bar down and roll the spine down beginning with top of head.

Reach bar away as spine elongates into extension.

Return by pulling abdominals in and curling spine back into flexion before stacking vertebra one on top of the other to return to the starting position. (Keep the hips pressed forward over the knees as much as possible.)



CIRCLE SAW, LEVEL 2

4 reps

Springs: 2 short yellow springs from above on Push-through Bar

FOCUS

- » Breath – exhale stretch, inhale to circle out, exhale reach, inhale circle back
- » Spinal flexibility in rotation
- » Scapula stability/mobility
- » Abdominal hollowing and lift
- » Coordination of breath with full spinal mobility

PRECAUTIONS

Some back injuries, shoulder injuries

PREREQUISITES

Mat - Saw

STARTING POSITION

Sit on table facing Tower, with feet against upright bars, right hand pushing up on the Push-through Bar, left hand reaching toward right foot.

Standard Exercise

Sweep left hand toward left foot and continue to circle arm out and around, allowing torso to lean back while maintaining abdominal lift and torso integrity until the left hand reaches over the right arm toward the right foot.

Reverse the circle

Do four repetitions using each arm, keep both sit bones anchored for pelvic stability (or release one slightly to increase stretch).



SEATED DOUBLE ARMS, LEVEL 1-2

4-10 reps

Springs: 1 - 2 short red springs from high position on Push-through Bar
Push-through Bar
Dowel or padded stick

FOCUS

- » Breath – exhale pull, inhale release or inhale pull, exhale release
- » Scapular stability and mobility
- » Shoulders down
- » Abdominal hollowing
- » Balance on sit bones

PRECAUTIONS

Shoulder injuries, modify for tight adductors

STARTING POSITION

Straddle table facing Tower, hands on Push-through bar, or sit cross-legged inside frame of Push-through Bar. Can also stand on outside of Allegro facing Tower.

Pull downs with stick

Hold the dowel or padded stick as wide as possible with palms facing you.

Pull bar down, focusing on soft neck and upper shoulders.

Return bar to starting position without raising the shoulders.



Empujes con el palo

El sistema de Torre de Allegro® Reformer Allegro® de Balanced Body

ESTE ES UN DISPOSITIVO MÉDICO.

English: ab Seite 1
Spanisch: ab Seite 50
Italianisch: ab Seite 103
Französisch: ab Seite 156
Deutsch: ab Seite 206
Chinesisch: ab Seite 259



Declaración de uso previsto

El dispositivo Torre de Allegro® Reformer está diseñado con fines de fisioterapia, rehabilitación, prevención, tratamiento y alivio de lesiones, terapia de apoyo y funcional para una discapacidad o para el fortalecimiento general y la mejora de la movilidad del cuerpo humano. En caso de que se produzcan lesiones durante su uso, Reporte al fabricante y a la autoridad competente del Estado miembro en el que está establecido el usuario y / o paciente.

Para obtener instrucciones impresas, comuníquese con Balanced Body.



IMPORTANTE:

Este manual está dirigido a profesionales en las áreas de medicina y de condición física, o personas con experiencia en el uso de este equipo. Si hay preguntas sobre la idoneidad de un movimiento en particular, sírvase consultar un profesional de salud calificado.

Aviso de seguridad: Advertencia - El Allegro contiene materiales inflamables, siempre manténgalo alejado de calor directo o de fuego.

INTRODUCCIÓN

El sistema Allegro está diseñado para combinar las funciones del Allegro Reformer y la Torre o Medio Trapecio dentro de una pieza compacta y portátil del equipo de Pilates. La Torre Allegro puede instalarse en cualquier Allegro y permite realizar ejercicios adicionales sin aumentar la huella del aparato. El siguiente manual describe las características del Allegro Reformer y el Allegro Tower y sugiere ejercicios.

Balanced Body es el recurso líder a nivel mundial de equipos, educación e información de Pilates. El Studio Reformer de Balanced Body es el Reformer de mayor venta en el mundo, y su Reformer Allegro ahora establece el estándar Pilates en los centros deportivos y de acondicionamiento físico en todo el mundo.

CONSEJOS PARA SU CONFIGURACIÓN (LEA PRIMERO)

- » Si arma un Reformer Allegro sin el kit para las piernas, proceda con estas instrucciones del Reformer.
- » Si arma un Reformer Allegro con el kit para las piernas, instale primero las piernas y luego arme el Reformer.
- » Si está instalando el Allegro Reformer con un sistema de Torre pero sin el kit para las piernas, siga estas instrucciones para el Reformer y luego para la sección del sistema de Torre.
- » Si está instalando un Allegro Reformer con un sistema de Torre y el kit para las piernas, instale primero el kit para las piernas y luego la Torre. Para ahorrar tiempo, no vuelva a instalar las placas de cubierta del carril de la cabecera como se describe al final de las instrucciones de instalación del kit para las piernas. Necesitará retirarlas para instalar la Torre.
- » Si arma un Allegro Stretch Reformer, consulte la página 70. Para las características de la barra de pie Allegro Stretch, consulte la página 73.

Características del sistema Allegro® de Balanced Body®

REPOSACABEZAS

El reposacabezas se utiliza para apoyar de manera óptima la cabeza, el cuello y los hombros del usuario mientras está acostado en posición supina. El Allegro cuenta con tres posiciones de reposacabezas que se ajustan mediante un bloque de soporte debajo del reposacabezas:

- » **Bajo (plano)** - El bloque de soporte se dobla hacia la parte superior del reposacabezas. Se utiliza para los clientes con espinas torácicas relativamente planas y cajas torácicas de poca profundidad para ejercicio de piernas y pies y para cualquier ejercicio supino.
- » **Aviso de seguridad:** La posición de reposacabezas plana se utiliza para todos los clientes que hagan ejercicios en los que rueden hacia arriba hasta llegar a los hombros. Un reposacabezas plano evitará que el cliente se exceda en flexionar la columna cervical y se lesione el cuello.
- » **Medio** - El bloque de apoyo descansa en la ranura del centro del bloque de apoyo.
- » **Alto (arriba)** - La parte inferior del bloque de apoyo descansa sobre el carro. Se utiliza para facilitar el alineamiento correcto en los clientes con la cabeza hacia adelante o con una caja torácica profunda.

Nota del instructor: Además, o en lugar del reposacabezas, también se puede utilizar una toalla para ajustar la altura de la cabeza.

PERILLAS DE ÉMBOLO DE BLOQUEO FÁCILES DE USAR

El Reformer Allegro® de Balanced Body, el Clinical Reformer® Clínico y el Studio Reformer® con barras para los pies Infinity traen una perilla de émbolo de bloqueo que hace que sea mucho más fácil ajustar y movilizar la barra para pies del Reformer en la estructura.

Para utilizarlo, tire de la perilla de émbolo hacia afuera para que la clavija transversal empotrada salga de las ranuras, como se muestra en la Figura A.

Luego, gire la perilla de manera que la clavija transversal descansa sobre la cabeza de la perilla, tal como se muestra en Figura B. Repetir en el otro lado.

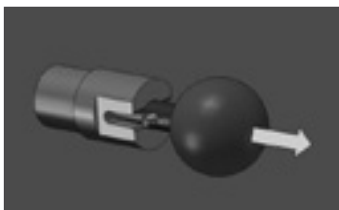


Figura A

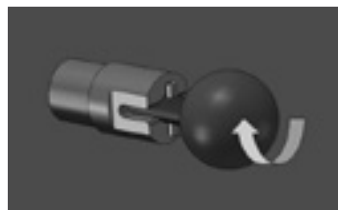


Figura B

AJUSTES DE LA BARRA PARA LOS PIES

El Allegro está equipado con una barra para pies ajustable que se puede mover para acomodar a usuarios de estaturas diferentes. Para mover la barra para los pies, tire hacia afuera las perillas negras redondas en la parte inferior de la barra para los pies y gírela 90 grados para desbloquear. Deslice la barra para los pies hacia adelante o hacia atrás hasta que quede alineada en la pista con el agujero que desea. Gire la perilla hasta que la clavija se acople en un agujero. Asegúrese de que la clavija esté completamente enganchada.

- » **Agujero 1** es el más cercano al extremo de la barra para los pies del Reformer y crea la distancia más larga entre los apoyos para los hombros y la barra para los pies. Se utiliza para los usuarios más altos (más de 6' [1.8 m.] o cuando se desea disminuir la flexión entre la rodilla y la cadera.
- » **Agujero 2** es para usuarios entre 5'9" y 6' [1.7 y 1.8 m]
- » **Agujero 3** es para usuarios entre 5'5" y 5'9" [1.67 y 1.7 m]
- » **Agujero 4** es para usuarios entre 4'10" y 5'5" [1.46 y 1.67 m]

Las estaturas mencionadas son solo sugerencias. El ajuste de la barra para los pies debe permitir que el usuario tenga un poco menos de 90° de flexión en la cadera cuando el carro está totalmente al fondo para ejercitar las piernas y los pies.

AJUSTES VERTICALES DE LA BARRA PARA LOS PIES

Para ajustar verticalmente la barra para los pies, apriete la manija en la parte inferior de la barra para los pies hasta que la clavija se desenganche de la placa. Mueva la barra para los pies a la altura deseada y suelte la clavija en el agujero.

- » **Barra alta** - Mueva la clavija al agujero más alto y suelte la manija. La posición de barra más alta acorta el espacio entre los apoyos de los hombros y la barra para los pies. Esta posición se usa para el ejercicio de piernas y pies con usuarios de menos estatura que tienen dificultad para mantener la posición de la espalda por un aumento de lordosis lumbar o una espalda inflexible.
- » **Barra media** - Coloque la clavija en el segundo agujero desde la parte superior de la placa. La posición de barra media alarga el espacio entre los apoyos para los hombros y la barra para los pies. Esto disminuye la flexión de las rodillas en el ejercicio de piernas y pies y coloca el torso en una posición de pie neutral.
- » **Barra baja** - Coloque la clavija en el tercer agujero de la placa. La posición de barra baja alarga el espacio entre los apoyos de los hombros y la barra para los pies a su máxima longitud. Esto disminuye la flexión de las rodillas en el ejercicio de

piernas y pies, disminuye la flexión del torso y caderas en elefante y puede ser útil para usuarios más altos y flexibles.

- » **Sin barra** - Coloque la clavija en el agujero más bajo de la placa. Esta posición se usa para mover la barra del medio para los ejercicios de pie y para los ejercicios en que el usuario está acostado en la caja.

AJUSTE DE RESORTES

Los resortes se utilizan para ajustar la resistencia en diferentes ejercicios. Hay por lo menos 30 posiciones de resistencia que se pueden usar en el Allegro. Los rangos de peso sugeridos se indican bajo cada ejercicio.

CAMBIO DE LOS PUNTOS DE ENGANCHE DE RESORTES

En el Allegro, la tensión de resortes se ajusta al fijar combinaciones diferentes de resortes a las clavijas bajo la plataforma de pie. Para ajustar de manera segura los resortes, asegúrese de que el carro se encuentra en la posición inicial.

- » **Posición normal** - Coloque el resorte directamente frente a la clavija. En esta posición los resortes no están bajo ninguna tensión para comenzar. Esta se ha designado como posición "B". Existen cinco posiciones B.
- » **Posición precargada** - Coloque el resorte sobre la clavija justo a la izquierda de la derecha, bajo la plataforma de pie. Esta posición pondrá los resortes bajo una pequeña cantidad de tensión y aumentará la resistencia de los resortes. Ésta se ha designado como posición "A". Existen seis posiciones A.

PESO DEL RESORTE

La resistencia del resorte se indica por el número aproximado de resortes sugeridos para un ejercicio específico. El peso del resorte indicado es la posición de inicio recomendada. Se pueden hacer ajustes individuales dependiendo de las necesidades del usuario y del ejercicio.

- » 1 resorte (ligero): Se usa principalmente para ejercicio de brazos o donde el carro provee un apoyo ligero
- » 2 resortes (ligero a moderado): Se usa para ejercicio de brazos, piernas y ejercicios en los que el carro provee apoyo al usuario.
- » 2 a 4 resortes (moderado a pesado): Se usa principalmente para ejercicio de piernas y para aumentar la resistencia en usuarios más fuertes.
- » Todos los resortes: Se utilizan para maximizar la resistencia o para estabilizar el carro para las series de abdominal de caja corta.

- » Sin resortes: Se usa para añadir dificultad en ejercicios en los que el usuario necesita controlar el carro (abdominales de rodillas, elefante, series de estiramientos largos).

PROGRESIONES DE LOS RESORTES PARA EL ALLEGRO

Sírvase tomar nota que estas combinaciones de resortes representan la progresión habitual para una máquina nueva estándar y pueden variar ligeramente dependiendo de la edad y fuerza específica de sus resortes. La mejor manera de encontrar progresiones óptimas para su máquina es probarla usted mismo.

CODIFICACIÓN DE RESORTES POR COLOR

Estos códigos de color son estándar para las máquinas **Balanced Body**

Amarillo - Muy ligero	Azul - Ligero
Rojo - Medio	Verde - Pesado

CUERDAS Y BUCLES

Las cuerdas se ajustan de acuerdo a las necesidades específicas del ejercicio y de la estatura del usuario. Para minimizar los ajustes de las cuerdas, un bucle doble en las correas permite al usuario sujetar las cuerdas en dos longitudes diferentes sin tener que ajustarlas.

Los ajustes de cuerda usados en el manual son:

- » Bucle regular: La resistencia del bucle o la manija es algo tensa en los apoyos para los hombros. Con las correas de bucle doble, el usuario sujetará el bucle más largo. Estándar para la mayoría de los ejercicios.
- » Bucle corto: La resistencia del bucle o la manija es algo tensa en las clavijas negras. Con las correas de bucle doble, el usuario sujetará el bucle más corto. Se utiliza para remar y algunos ejercicios de brazos.
- » Bucle muy corto: El bucle o la manija es aproximadamente 5 pulgadas [12 cm] más corto que el reposacabezas. Se utiliza para ejercicio de brazos o de rodillas frente a las correas, tales como extensión del tórax [pecho] o estiramiento de los muslos.
- » Bucle largo: El bucle o la manija es más largo que el apoyo para los hombros por una longitud de un bucle de algodón. Se utiliza para estiramientos largos de la columna o para colocar los pies en las correas en usuarios con tendones de la corva más inflexibles.

ELEVADORES

Los elevadores pueden ajustarse aflojando la perilla que sujeta la polea en la ranura de la Torre y moviendo la polea hacia arriba o hacia abajo.

LA TORRE ALLEGRO (TOWER ALLEGRO)

La Torre Allegro consiste de un bastidor de metal que se sujeta a la cabeza del Reformer Allegro. Los cáncamos en el bastidor proporcionan puntos de enganche para los resortes. Los bucles, manijas o una barra de rodamiento hacia abajo de madera, se pueden enganchar a los resortes para crear una amplia variedad de ejercicios. La Torre Allegro también cuenta con una barra de empuje.

PUNTOS DE ENGANCHE DE RESORTES

La Torre Allegro cuenta con 24 puntos de fijación de resortes, lo cual crea una variedad de ejercicios posibles y una cantidad ilimitada de ajustes. Cada poste montante tiene 5 cáncamos en la parte delantera y 5 en la parte posterior, lo que permite que los usuarios realicen ejercicios desde cualquier lado de la Torre. Dos cáncamos están unidos al armazón Allegro para crear una posición baja, dos cáncamos están unidos a los lados del arco de la Torre y uno en el punto más alto del centro. Este cáncamo individual sirve para mantener la correa de seguridad en posición. NO enganche resortes a este cáncamo. Los puntos comunes de enganche de resortes se enumeran abajo y en la descripción de cada ejercicio.

Con el fin de ajustar la tensión de los resortes para un cliente en particular, mueva el punto de enganche que esté más lejos del cliente para que sea más pesado y acérquelo al cliente para hacerlo más ligero.

Bajo: Los resortes están unidos a los cáncamos en la parte inferior del armazón del Allegro. Estos resortes se usan para mantener en posición la barra de empuje.

Medio: Los resortes están unidos al tercer gancho de ojo de la parte inferior.

Alto: Los resortes están unidos a los puntos altos a ambos lados del arco en la parte superior de la Torre.

RESORTES DE LA TORRE ALLEGRO

La Torre Allegro viene con 4 juegos de resortes que se indican a continuación:

2 juegos - resortes cortos

Amarillo - Muy ligero

Azul - Ligero

2 juegos - resortes largos

Amarillo - Muy ligero

Morado - Medio

AJUSTES DE LA BARRA DE EMPUJE

La barra de empuje tiene tres posibles puntos de pivote en el bastidor de la Torre. Para ajustar la barra de empuje, presione el botón en la parte superior del pasador de mango en T para liberar el pasador. Tire los pasadores fuera de los postes montantes, mueva la barra al agujero adecuado y vuelva a insertar los pasadores. Siempre que mueva la barra de empuje devuélvala a una altura segura.

AVISO DE SEGURIDAD:

Es muy importante que el instructor esté presente y observe al cliente cada vez que la barra de empuje esté en uso. Es muy importante que el punto de pivote sea alto, con suficiente espacio despejado para la cabeza del cliente cuando está acostado debajo. Si un cliente tiene una cabeza especialmente grande, cifosis dorsal excesiva o una nariz larga, la barra puede golpearlo cuando hace los ejercicios. La barra de empuje nunca debe ajustarse tan bajo que pueda golpear al cliente que esté debajo de ella. La correa de seguridad debe usarse siempre cuando la barra de empuje se levante desde abajo. La correa de seguridad debe ser ajustada de manera que el ángulo de la barra de empuje, cuando se ve desde el costado, no sea inferior a la posición de cuatro u ocho en un reloj y no golpeará al cliente si sus pies se deslizan fuera de la barra.

TAPICERÍA, LIMPIEZA Y DESINFECCIÓN.

Puede extender la vida de su tapicería si la mantiene limpia y libre de polvo, aceite y transpiración. Después de cada uso, limpie la tapicería con una solución de jabón suave y agua. Luego límpiela con un trapo con agua limpia y séquela con un paño.

La seguridad es lo primero: Una guía para el mantenimiento adecuado y el uso seguro de su equipo de Pilates.

Durante más de 35 años, Balanced Body ha introducido innovaciones relacionadas con la seguridad en los equipos de Pilates. Muchos de nuestras mejoras son ahora estándares de la industria, lo que da como resultado un equipo de Pilates que es hoy más seguro que nunca.

La seguridad depende de un mantenimiento adecuado y de un uso seguro, además de la calidad del equipo. Esta guía fue creada para ayudarle a usar y mantener su equipo para obtener una seguridad óptima. Léala detenidamente y guárdela para futuras consultas. Si tiene alguna pregunta, llámenos. **El incumplimiento de estas instrucciones puede provocar lesiones graves.**

TODO EL EQUIPO

Resortes

Las inspecciones de los resortes son importantes para mantener su equipo en condiciones de operación segura. Todos los resortes de Balanced Body deben ser reemplazados por lo menos cada dos años. Ciertos entornos y usos pueden acortar la vida útil de los resortes y es posible que deba reemplazarlos con mayor frecuencia. Por lo tanto, es muy importante inspeccionar los resortes de forma regular, ya que los resortes desgastados

o viejos pierden su resistencia y pueden romperse durante el uso. Si un resorte se rompe durante el uso, puede producirse una lesión.

Durante el uso, no permita que los resortes se desplacen de forma descontrolada. Esto dañará el resorte y acortará su vida útil.

Inspeccione los resortes para ver si tienen espacios o dobleces (semanal o mensualmente, dependiendo de la frecuencia de uso). Busque los espacios y dobleces entre las espirales cuando el resorte está en reposo. No es inusual que el resorte tenga un espacio muy pequeño en el extremo cónico (a veces se crea un espacio durante el proceso de fabricación).

Sin embargo, no debe haber ningún espacio en el cuerpo del resorte. Si ve cualquier espacio o torcedura en el cuerpo del resorte, deje de usarlo y reemplace los resortes inmediatamente. Vea la **Figura 1**. Además, la corrosión en cualquier parte de las espirales acortará la vida útil del resorte. Deje de utilizar el resorte inmediatamente si observa algún tipo de corrosión u oxidación durante la inspección.



Figura 1

Broches de presión

Inspeccione los broches de presión para ver si están desgastados (mensualmente). Primero, verifique que el mosquetón funciona correctamente. Si el mosquetón no se retrae y regresa correctamente, deje de usar el resorte inmediatamente y reemplace el mosquetón. Los cáncamos pueden causar un desgaste excesivo en los mosquetones.

Si el gancho muestra mucho desgaste, deje de usar el resorte inmediatamente y llame a Balanced Body para reemplazar el resorte o el encaje. Vea la **Figura 2**.

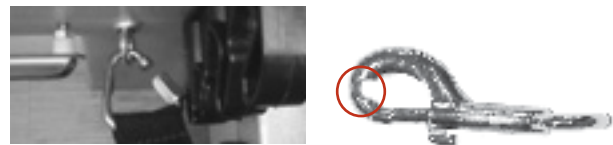


Figura 2: Buen encaje: no hay desgaste en el gancho.

Mal encaje: desgaste excesivo del gancho.

CÁNCAMOS, TUERCAS Y TORNILLOS

Apriete todas las tuercas y tornillos del equipo (mensualmente).

Verifique que todos los cáncamos, las tuercas y los tornillos estén apretados. Vea la sección titulada "Cómo inspeccionar y apretar las tuercas y los tornillos".

CUERDAS Y CORREAS

Desgaste de la cuerda y la correa (trimestral). Las cuerdas deben ser reemplazadas si se puede ver el interior de la cuerda a través del revestimiento exterior, o si las cuerdas están aplastadas. Las correas deben ser reemplazadas tan pronto como se note cualquier deshilachamiento. Asegúrese de revisar las secciones de cuerda o correas que se sujetan a las abrazaderas y pasan a través de las poleas.

REFORMERS

Revise los ganchos de la barra de resorte o los cáncamos (trimestralmente). Balanced Body hace dos sistemas de barras de resorte diferentes:

- » Revo Springbar™. Asegúrese de que los ganchos y la manija de la barra de resorte estén ajustados.

Barra de resorte estándar. Verifique que las tuercas que aseguran los ganchos de la barra de resorte estén apretadas. Vea la sección titulada "Cómo inspeccionar y apretar las tuercas y los tornillos".

Rotación del resorte (trimestral). Puede prolongar la vida útil de los resortes del Reformer girando los resortes del mismo peso cada trimestre. Desenganche y muévase a otra posición en la barra de resorte. La rotación de los resortes ayuda a que se desgasten de manera más uniforme.

Los elevadores externos. Los elevadores de madera deben instalarse en la parte exterior del marco. Los elevadores se pueden aflojar con el tiempo, así que siempre asegúrese de que estén bien ajustados.

Tensores enganchados por debajo del soporte. Asegúrese de que resortes estén enganchados en posición descendente. Vea la **Figura 3**.



Figura 3: Resortes enganchados hacia abajo

Asegure el soporte. Cuando no se utilice el Reformer, asegúrese de que al menos dos resortes aseguren el soporte a la barra de resorte.

Ajustes predeterminados. Muchos usuarios tienen una "configuración predeterminada" para los Reformers. Al final de una sesión, el usuario conecta un número predeterminado de resortes en tensión neutra, fija la barra de pies a una altura predeterminada y fija las cuerdas a una longitud especificada. De esta manera se asegura que el equipo esté listo para el siguiente uso y que el soporte esté fijado por los resortes.

La trabilla de enganche para el pie bajo tensión en el trabajo de caja. Cuando utilice la caja y la trabilla de enganche, asegúrese de que esta esté bajo tensión (con los broches de presión tirando de la parte superior del cáncamo) antes de comenzar el ejercicio. Vea la **figura 4**.



Figura 4: Arnés para sujetar los pies tensado

MANTENIMIENTO DE LA RUEDA Y LA VÍA DEL REFORMER

Limpie las vías y las ruedas (semanalmente). Para que el transporte se realice sin problemas y para mantener la longevidad de las ruedas, le recomendamos que limpie las vías una vez a la semana.

Desconecte los resortes y limpie toda la longitud de los rieles con un paño suave y con Balanced Body Cleaner, un jabón suave con agua o un limpiador comercial suave como Fantastik® o 409®. No utilice limpiadores abrasivos o almohadillas, ya que pueden dañar el anodizado de los rieles. Para limpiar las ruedas, sujete el paño contra las ruedas mientras mueve el soporte. Si siente un obstáculo en el camino, la suciedad se ha adherido a la superficie de los rieles o las ruedas. Limpie el pelo y los escombros de los rieles.

No lubrique los rieles del Allegro 2.

Soportes de la barra de pies (trimestral). Para todas las barras de pies con soportes de Balanced Body, verifique que el tornillo

de pivote que sujeta el soporte de la barra de pies esté apretado, pero no tan apretado que impida que el soporte gire libremente. Para el Reformer Legacy, apriete el tornillo de pivote para asegurar el soporte de la barra de pies.

Reposacabezas (mensual). Asegúrese de que los tornillos de las bisagras y los tornillos del reposacabezas estén apretados.

Bajo el Reformer (mensual). Mueva el Reformer y asegúrese de limpiar el espacio debajo.

Parachoques de la plataforma de pie (solo Reformers de madera). Si los parachoques de la plataforma de pie (las pequeñas piezas de plástico que protegen la plataforma de la barra de pies) están rotos o dañados, por favor llame a Balanced Body para reemplazarlos.

MESA TRAPECIO (CADILLAC) Y TORRES

Se han quitado los pasadores de chaveta. Estos pasadores están ubicados en los tubos verticales que alinean la cubierta con el marco y deben retirarse tan pronto como se complete la instalación. Los pasadores de chaveta no retirados pueden desgarrar la ropa y lacerar la piel. Utilice unos alicates para quitar los pasadores.



Figura 5: Pasador de chaveta antes y después de retirarlo de la mesa de trapecio.

Guarde los pasadores en caso de que necesite desmontar y volver a armar la mesa para el transporte. Vea la **Figura 5**.

Barra de empuje (PTB) con deslizadores. La PTB se mueve verticalmente para acomodar a los diferentes usuarios y ejercicios. Los deslizadores de los tubos permiten este movimiento vertical. Asegúrese de que estos deslizadores estén limpios y sean fáciles de mover. Antes de comenzar cualquier ejercicio, asegúrese de que los deslizadores estén correctamente alineados con los orificios de la PTB y bloqueados en su posición. Aplique una fuerza descendente para asegurarse. Si observa un desgaste en los pasadores de la perilla deslizante, llame a Balanced Body para que los reemplace. El uso de la PTB en esta condición podría causar lesiones. Los pelos pueden enrollarse alrededor de los ejes de las ruedas y eventualmente se acumulan y causan la falla de las ruedas. Use pinzas para quitar el pelo de las ruedas.

Lubricación. Nunca rocíe silicona cerca o dentro de las ruedas - esto puede remover el lubricante de los rodamientos y arruinarlos. Puede comprar silicona seca en la mayoría de las ferreterías y tiendas de autopartes. Las poleas a veces requieren lubricación para eliminar chirridos.

Aplique un rociado muy rápido de silicona o teflón seco en la polea. La silicona "seca" no tiene una base de aceite. La silicona a base de aceite ("húmeda") y el WD40 no deben utilizarse ya que atraen la suciedad. Tenga cuidado de no rociar demasiado. Es posible que desee retirar las cuerdas para evitar que la silicona se pegue a ellas.

Mantenimiento semanal de las barras de empuje con deslizadores. Compruebe que los pasadores de las perillas del émbolo sobresalgan y se traben en los tubos verticales. Tire de ambas perillas y mueva los deslizadores a una posición diferente. Suelte las perillas antes del siguiente orificio y continúe deslizando el sistema hasta su posición. Una vez que esté sobre un agujero, el pasador de la perilla caerá automáticamente en la abertura. Cuando cada deslizador se encuentre en una nueva posición, aplique una fuerza descendente sobre la PTB. Los pasadores de los deslizadores no deben salir de los agujeros. Si los pasadores no permanecen en los orificios de los tubos, es necesario cambiar las perillas. Llame a Balanced Body para obtener piezas de repuesto.

Barra de empuje (PTB) con ajuste del pasador en T. Para los ejercicios con resortes inferiores, si la cabeza del usuario está por debajo de la PTB, utilice el ajuste de pasador en T además de la correa o cadena de seguridad. Se recomienda seriamente que observe al usuario. Esto es importante para la seguridad.

Control de la barra de empuje (PTB). Asegúrese de que tiene suficiente espacio alrededor de la mesa de trapecio para usar con seguridad la PTB sin temor a golpear a otras personas. La PTB puede ser peligrosa si no se utiliza adecuadamente. Solo los usuarios entrenados y experimentados deben utilizar la PTB. Un supervisor debe mantener siempre el control de la barra con una mano. Si el usuario pierde el control de la barra, el supervisor puede mantener el control de esta.

Fijación correcta de la correa de seguridad. Para los ejercicios con resortes inferiores, la correa o cadena de seguridad siempre debe asegurar la barra.

La correa o cadena de seguridad debe rodear la PTB y el marco de la cubierta, no los cáncamos. La correa o cadena es tan fuerte como el elemento más débil, y el armazón y la barra son mucho más fuertes que los cáncamos.

Figura 6.



Figura 6: Correa de seguridad que sujeta la barra de empuje en la posición de 4 en punto. La correa se sujeta a la PTB y al marco de la cubierta, no a los cáncamos.

Es muy recomendable observar al usuario. Esto es importante para la seguridad.

Ajuste de la PTB para los ejercicios con resortes inferiores. En los ejercicios con resortes inferiores, la correa de seguridad debe colocarse de manera que el ángulo de la barra de empuje no sea inferior a la posición de las 4 en punto. Esto limita el alcance de la barra y evita que entre en contacto con el usuario.



Figure 7: Correa de seguridad que sujeta la barra de empuje en la posición de 4 en punto. La correa se sujeta a la PTB y al marco de la cubierta, no a los cáncamos.

Soportes con resorte tipo reloj de arena. Si su silla tiene soportes con resortes tipo reloj de arena y estos no retienen los resortes correctamente, reemplace las arandelas de fibra (son de color marrón rojizo).



Figura 8: Arandela de fibra

Figura 8. Si su silla de Balanced Body es de pedal dividido (silla combo), por favor considere mejorarla con el Cactus Springtree.

LIMPIEZA Y MANTENIMIENTO DE LA TAPICERÍA

Limpieza. Puede prolongar la vida útil de la tapicería manteniéndola limpia y libre de suciedad, grasa y sudor. Después de cada uso, limpie la tapicería con una solución de agua y jabón suave. Después, límpiela con agua limpia y séquela con una toalla suave.

Desinfección. La tapicería del equipo está recubierta con BeautyGard®, que ofrece protección antibacterial. Si desea una desinfección adicional, Balanced Body ofrece la solución desinfectante Balanced Body Clean™. El uso de cualquier otra solución (especialmente las que contienen aceites esenciales) acortará la vida de algunos equipos y no se recomienda.

CÓMO INSPECCIONAR Y APRETAR LAS TUERCAS Y LOS TORNILLOS.

Utilice sus dedos para comprobar que las tuercas y los tornillos estén bien apretados.

Si puede girar la tuerca o el tornillo con los dedos, eso significa que está demasiado flojo y deben apretarse. Para apretarlo, primero apriételo con los dedos. Gire las tuercas y los pernos en el sentido de las agujas del reloj para apretarlos. Inserte un destornillador a través de los cáncamos para mantenerlos firmes mientras aprieta las tuercas. **Figura 9.**



Figura 9: Usar dos dedos para apretar los tornillos.

Se recomienda seriamente utilizar el 4º lado de la PTB junto con la correa de seguridad para evitar lesiones.

SILLAS

Desmontar con control. Al desmontar la silla, suelte los pedales lentamente, con el mando. No deje que el pedal se retraiga.

Supervise a los usuarios. Cuando un usuario está de pie, sentado o acostado sobre la silla, hay un mayor riesgo de caerse. Los ejercicios de pie, específicamente, pueden ser inestables. La supervisión de los usuarios hará que estos ejercicios sean más seguros.

Se recomienda comprobar que los pasadores de la PTB sobresalen y se bloquean en los tubos verticales de forma adecuada. Para verificar su funcionamiento, primero tire de ambas perillas y comience a mover los deslizadores a una posición diferente. Suelte las perillas antes del siguiente orificio y continúe deslizando el sistema. Una vez que esté sobre un agujero, el pasador de la perilla caerá en la abertura. Una vez que cada deslizador esté en una nueva posición, aplique una fuerza descendente sobre la PTB directamente hacia abajo. Los pasadores de los deslizadores no deben salir de los agujeros. Si los pasadores no permanecen en los orificios de los tubos, es necesario reemplazar las perillas de tracción; llame a Balanced Body para obtener piezas de repuesto.

REGISTRO DE INSPECCIÓN Y MANTENIMIENTO DEL EQUIPO

- Una descripción de la máquina incluyendo el número de serie, la fecha y lugar de compra y el fabricante. Toda esta información debe aparecer en la factura.
- Fecha y descripción de todo el mantenimiento requerido y de las inspecciones realizadas.
- Fecha y descripción de cada reparación, incluyendo el nombre y la información de contacto de la persona o empresa que realiza la reparación.

PROGRAMA DE MANTENIMIENTO

Todo el equipo	Día.	Sem.	Men.	Trim.
Inspeccione los resortes para ver si tienen espacios y dobleces		✓	✓	
Inspeccione los broches de presión para ver si están desgastados			✓	
Inspeccione las tuercas y los tornillos para ver si están apretados			✓	
Reformers				
Limpie las ruedas y las vías		✓		
Inspeccione los ganchos/cáncamos de la barra de resorte				✓
Gire los resortes				✓
Inspeccione las cuerdas/cinturones				✓
Inspeccione los soportes de la barra de pies				✓
Inspeccione las barras de resorte de un solo paso				✓

REPUESTOS

Para pedir piezas de repuesto, o si tiene alguna pregunta, por favor llame:

EE. UU. y Canadá: 1-800-PILATES (1-800-745-2837)
 Reino Unido: 0800 014 8207
 Fax: 916-379-9277

Correo electrónico: info@pilates.com www.pilates.com
 5909 88th Street, Sacramento, CA 95828, Estados Unidos.
 Otros lugares: +1 916-388-2838

[Clic aquí](#) para obtener datos de **patentes de Balanced Body**.

PODCASTS DE MONTAJE Y MANTENIMIENTO

Vea nuestra galería de videos de ensamblaje y mantenimiento en: www.pilates.com/podcasts.

Cómo montar el Allegro® Reformer

LISTA DE PIEZAS

Número de pieza	Descripción	Cantidad
950-002	Barra para los pies completa	1
950-020	Pernos de hombro y arandelas	1 juego
950-228	Apoyo de hombros con soportes	1 par
616-400	Poste de bloqueo para los hombros	2
GEN8000	Perillas trincantes de émbolo giratorias	2
210-070	Cuerdas Soft Touch (suaves)	1 par
210-064	Bucles dobles Soft Touch (suaves)	1 par
950-225	Elevador con polea Allegro	2
GEN9050	Llave hexagonal de 5/16"	1
ALL0060	Llave inglesa Allegro	1
SPR9070	Resorte rojo	3
SPR9071	Resorte azul	1
SPR9241	Resorte amarillo	1
UPH7040	Almohadilla de espuma para la plataforma de pie	1

PRECAUCIONES IMPORTANTES:
SÍRVASE LEER LA ADVERTENCIA

Para reducir el riesgo de lesiones graves, lea las siguientes precauciones importantes antes de usar el Allegro.

- » Lea todas las instrucciones en este manual antes de usar el Allegro. Antes de usar el equipo, vea el video de Instalación y seguridad que se incluye con el Allegro. Use el Allegro únicamente como se describe en estas instrucciones y el video.
- » Es responsabilidad del propietario asegurarse de que todos los usuarios del Allegro estén debidamente informados de todas las precauciones.
- » Use el Allegro solo en una superficie nivelada. Mantenga las manos y los pies alejados de todas las piezas móviles. Cuando no se esté usando el Allegro, deje por lo menos dos resortes conectados al carro. Mantenga a los niños menores de 12 años de edad y animales domésticos alejados del Allegro en todo momento.
- » Si siente dolor, mareo o le falta el aliento, deje inmediatamente de hacer ejercicio.
- » Antes de comenzar cualquier programa de ejercicios, consulte a su médico.



INSTALE LOS APOYOS PARA LOS HOMBROS

1. Observe los dos pernos que sobresalen en la parte inferior de los apoyos para los hombros. Baje los pernos de los apoyos para los hombros, colóquelos dentro de las bocallaves y deslícelos en dirección opuesta al acolchado del carro. Consulte la Figura A.

Aviso: Los apoyos para los hombros pueden instalarse en dos posiciones. Una posición es más ancha y más cómoda para hombros anchos. Intercambie los apoyos de hombros izquierdo y derecho para cambiar entre las configuraciones estándar y amplia.

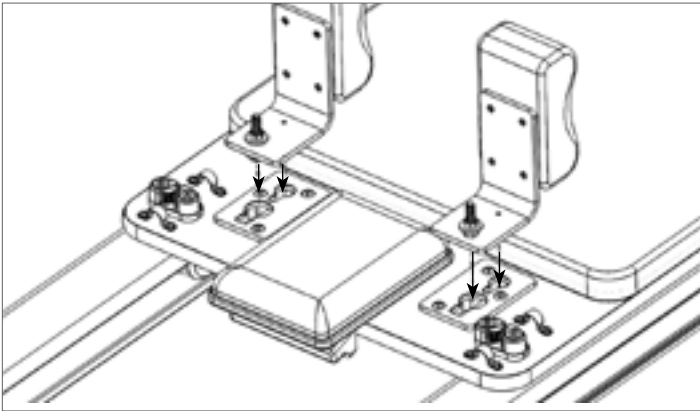


Figura A

2. Ahora atornille los postes de bloqueo de los hombros en el perno expuesto en cada apoyo de hombros. Consulte la Figura B.

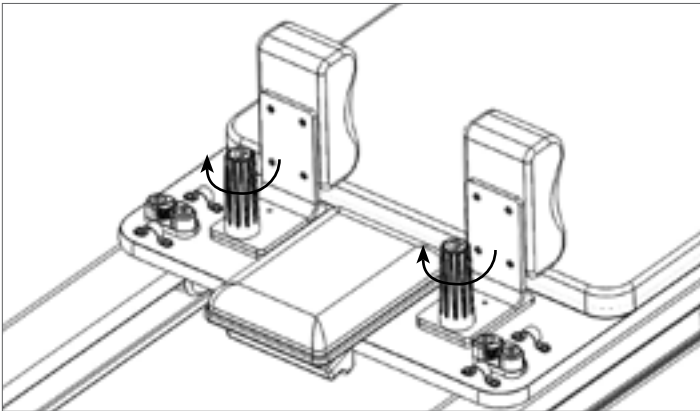


Figura B

Cómo usar los postes de bloqueo de hombros:

Gire los postes hacia la derecha para apretarlos y bloquee los apoyos para los hombros en su posición. Apriete los postes lo suficiente para que sea difícil retirarlos. Deben quedar ajustados pero no excesivamente apretados. Para retirar los apoyos para los hombros, gire el poste hacia la izquierda 1 o 2 veces y deslice suavemente los apoyos para los hombros hacia el carro.

La Figura C muestra la posición de almacenamiento para el apoyo para los hombros. Observe las ranuras de bocallave en el extremo de la cabecera del armazón del Allegro.

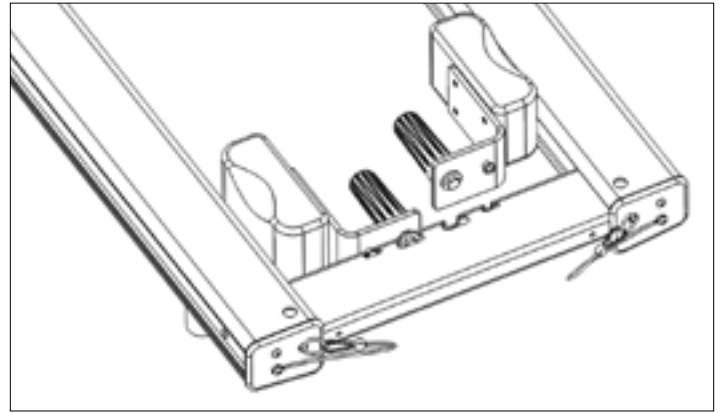


Figura C

INSTALE LAS PERILLAS DE ÉMBOLO NEGRAS

3. Mire a través del agujero roscado grande en muñón y alínelo con uno de los agujeros del armazón. Atornille la perilla de émbolo dentro del agujero grande hasta que quede completamente enroscado. Consulte la Figura D.

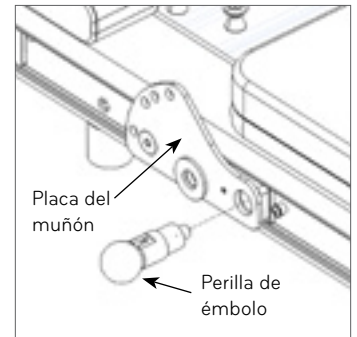


Figura D

4. Repita en el otro lado. Apriete ambas perillas de émbolo de forma segura con la llave de boca incluida.

Para mover los muñones, tire la bola de las perillas de émbolo alejándolas del armazón y gire 90° para bloquear. Para reactivar el émbolo, gire la perilla hasta que encaje dentro de uno de los agujeros en el lado del armazón.

Aviso: Antes de continuar, asegúrese que ambas placas del muñón estén bloqueadas en la misma posición horizontal.

CÓMO INSTALAR LA BARRA PARA LOS PIES

Levante la barra para los pies de manera que la costura del forro de la cubierta quede opuesta al acolchado del carro.

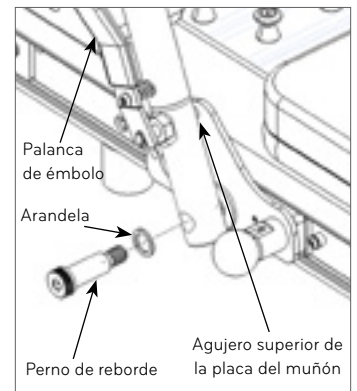


Figura E

5. Mientras sujeta las palancas de émbolo de la barra para los pies, guíelas sobre la parte exterior de las placas del muñón. Alinee cada pasador de la barra para los pies con el agujero superior en la placa del muñón. Mientras sujeta la barra para los pies, suelte las palancas de émbolo para encajar la placa del muñón. Asegúrese de que los pasadores de ambos lados estén enganchados. Consulte la Figura E.

- Gire ligeramente la barra para los pies hasta que el agujero grande de la parte inferior de ésta quede alineado con el agujero restante de la placa del muñón.
- Deslice el perno de resalto con una arandela a través del agujero grande de la barra para los pies. Luego, enrosque el perno de resalto en la placa del muñón y apriételo todo lo posible con la llave hexagonal (GEN9050) más grande. Repita los pasos en el otro lado. Consulte la Figura E.

INSTALE LOS ELEVADORES

- Retire los pasadores de bloqueo del armazón. Inserte los elevadores a través de los agujeros en la parte superior del armazón. Gire los elevadores hasta que las poleas unidas apunten directamente hacia abajo del armazón, hacia la barra para los pies. Consulte la Figura F.
- Vuelva a insertar los pasadores de bloqueo hasta que el anillo de metal toque el armazón. Quizás tenga que mover o levantar ligeramente o rotar el elevador para que los pasadores de bloqueo entren completamente.

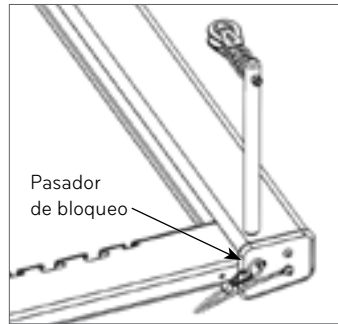


Figura F

INSTALE LAS CUERDAS

- Para instalar las cuerdas, primero enganche por lo menos un resorte del carro al armazón para mantener el carro en posición inicial. Desenrolle y separe las cuerdas.
- El Allegro viene ahora con cuerdas Soft Touch (suaves) que no necesitan ganchos de perro para fijar los bucles. ¡El gancho ya no se arrastrará sobre el armazón ni lo golpeará! Siga las imágenes a continuación para instalar los bucles. Consulte la Figura G.
- Coloque los bucles sobre los apoyos para los hombros. Pase el otro extremo de cada cuerda a través de una polea del elevador y nuevamente dentro de los sistemas de fijación de leva del carro para ajustar la longitud. Asegúrese de ir a través de las manijas de ojo de cromo a ambos lados de los sistemas de fijación de leva. Siempre empuje la cuerda firmemente hacia abajo dentro de los ganchos para asegurar un agarre firme.

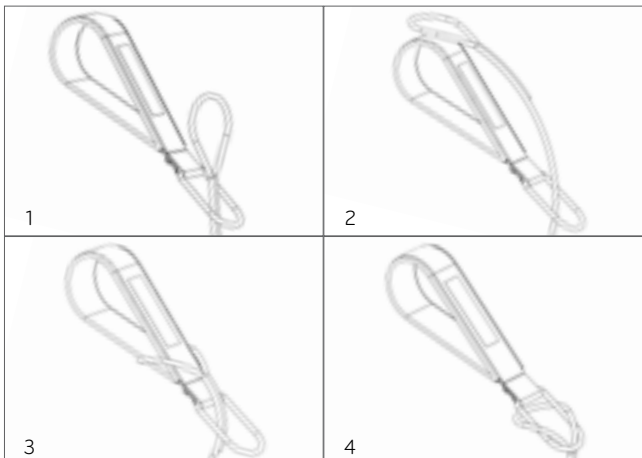


Figura G

CÓMO GUARDAR EL ALLEGRO REFORMER

Para apilarlo

Para ver una demostración de cómo apilar el Allegro, vea el segmento de Instalación y seguridad del video de Introducción/Nivel 1 del Allegro. Fije los resortes para evitar que el carro se mueva. Mueva la barra para los pies a la posición "hacia abajo". Quite los apoyos para los hombros y guárdelos en las ranuras de la cabecera del armazón. Baje el reposacabezas. Quite los elevadores y guárdelos en los huecos en la cabecera del armazón. Coloque las cuerdas y los bucles dentro del armazón del Allegro, no en el carro. Alterne la orientación de los Allegros a medida que los apila. Coloque las patas del extremo de la cabecera hacia la plataforma de pie del Allegro de abajo, y así sucesivamente. Apile un máximo de 5 Reformers sin patas (3 con patas). No apile el Reformer con Torres.

De pie

Es absolutamente crucial que la barra para los pies del Allegro esté colocada y trabada en la posición correcta para almacenar el aparato verticalmente. Mueva y trabe la barra para los pies en la posición más cercana al extremo de los pies del armazón del Reformer. Eleve la barra para los pies a la posición más alta. Eleve el extremo de la cabecera del armazón del Allegro a la altura de la cintura. Luego, eleve el armazón a la posición vertical. Use su pie para estabilizar el extremo de la plataforma con ruedas cuando la levante para colocarla en posición vertical. El Allegro en posición vertical se apoyará sobre la barra para los pies y las ruedas de transporte. Consulte la Figura H.



Figura H

LIMPIEZA Y MANTENIMIENTO

Limpieza

Después de cada uso, limpie la almohadilla del carro, el reposacabezas, la barra para los pies y los apoyos para los hombros con un paño suave y un limpiador suave y no abrasivo. Mantenga el riel y las ruedas del carro limpias y libres de polvo y suciedad. Limpie toda la pista con una toalla regularmente. Limpie la pista del muñón de la barra para los pies semanalmente. Limpie el armazón con un limpiador suave que no sea abrasivo. Mantenga las cuerdas y los resortes libres de polvo. Los bucles de algodón pueden lavarse en la lavadora. Cuélguelos para secarlos.

Lubricación

El canal en C del muñón de la barra para los pies se puede lubricar con un aerosol de silicona en seco.

MANTENIMIENTO

Vea la Primera guía de seguridad incluida.

¿PREGUNTAS?

Llame al número de soporte técnico de Balanced Body al 1-800-745-2838 (Estados Unidos y Canadá), o al +1-916-388-2838.

Cómo instalar el Kit para las piernas de Allegro®

PIEZAS INCLUIDAS:

Ítem número	Número de pieza	Descripción	Cantidad
1	618-030	Allegro pierna, A	2
2	618-031	Allegro pierna, B	2
3	618-021	Placa de tuerca pierna	2
4	ALL0091	Almohadilla de caucho, pierna Allegro	4
5	614-020	Soporte de rueda, Allegro pierna exterior	2
6	GEN8320	Llave Allen (hexagonal) de 3/16", punta redondeada	1
7	GEN7321	Tornillo, cabeza esférica de 5/16-18 x 3/4"	12
8	GEN7325	Tornillo de 1/4-20 x 3/4"	4
9	GEN9021	Tuerca, Nylock, 1/4-20	4
10	GEN9282	Llave Allen (hexagonal) 5/32" de brazo corto	1

1. Use la llave Allen (hexagonal) más pequeña incluida para retirar los 4 tornillos que sostienen en su lugar las placas de cubierta al extremo de la cabecera y las clavijas de elevación. Póngalos a un lado para volverlos a instalar más adelante. Consulte la Figura A.

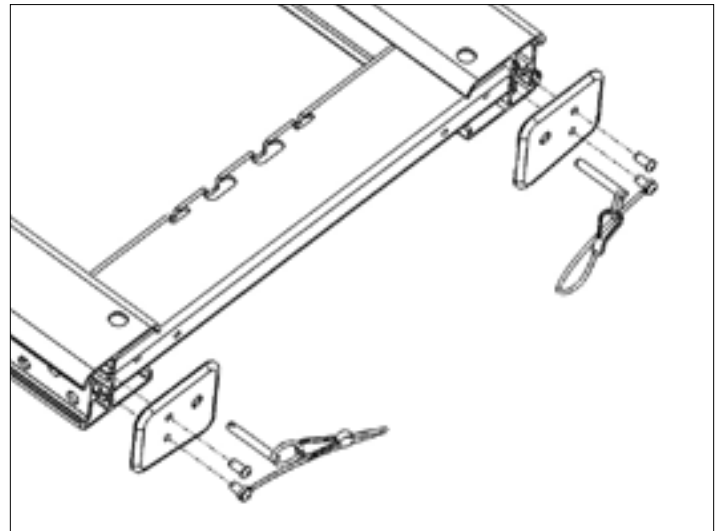
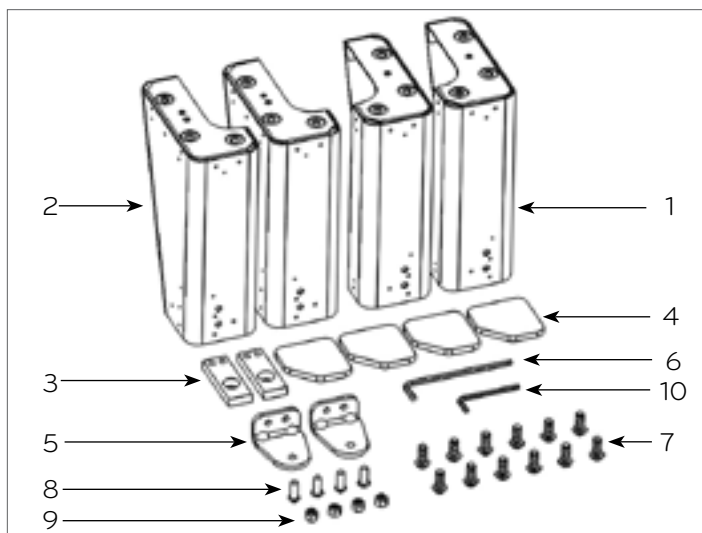


Figura A



2. Fije todos los resortes para evitar que el carro se mueva. Retire las cuerdas, los apoyos para los hombros y los elevadores. Coloque la barra para los pies (si está instalada) en la posición más baja y revise que todas las clavijas estén bloqueadas para que la barra para los pies esté segura. Luego, con la ayuda de un amigo, levante el Allegro desde ambos extremos y cuidadosamente voltéelo boca abajo y colóquelo en el piso. Puede colocar en el piso debajo del Reformer una almohadilla o cualquier otro tipo de protección.

HERRAMIENTAS NECESARIAS (NO INCLUIDAS):

- » Dos llaves de 1/2" o ajustables
- » Una llave de 7/16"
- » Si tiene un Tower of Power instalado, retire las cuerdas, afloje las 4 perillas de la Torre y retírelo.

3. Retire las 4 patas de caucho de la parte inferior del armazón del Reformer agarrándolas firmemente con la mano y girándolas hacia la izquierda. Puede descartar las patas a menos que quiera convertirlo nuevamente a una configuración de Allegro plano.

4. Retire las patas y otros materiales del embalaje y coloque las patas en el piso con la parte inferior de la pata hacia arriba como se indica en la Figura B.

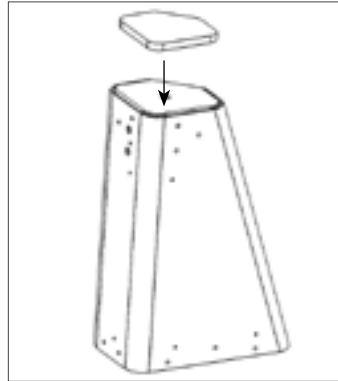


Figura B

5. Luego, pele el forro adhesivo de las 4 patas de caucho, coincida los perfiles de las patas con la pata e instale la pata como se muestra en la Figura B.

6. Inserte las placas de tuerca de la pata que se muestra en la Figura C dentro del armazón del Reformer hasta que el agujero grande se alinee con el agujero del elevador en el armazón. Una vez alineado, deje caer el elevador a través del armazón y el bloqueo para mantenerlo en su lugar. Consulte las Figuras C y D.

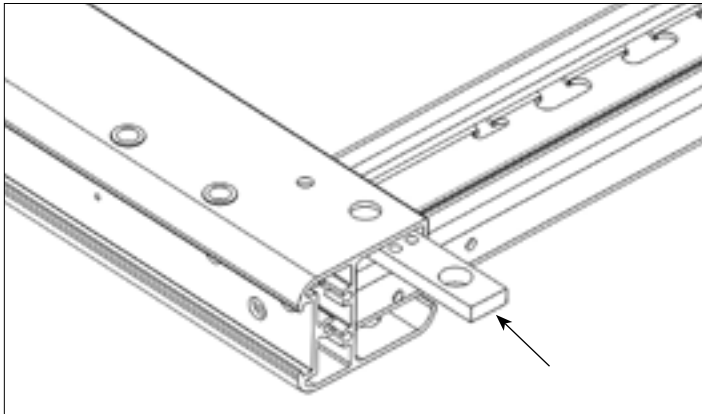


Figura C

7. Ahora, maniobre la placa de tuerca de la pata de manera que los agujeros en la Figura D estén alineados si mira hacia abajo a través del agujero del armazón. Este será uno de los orificios de los tornillos que usará para instalar las patas.

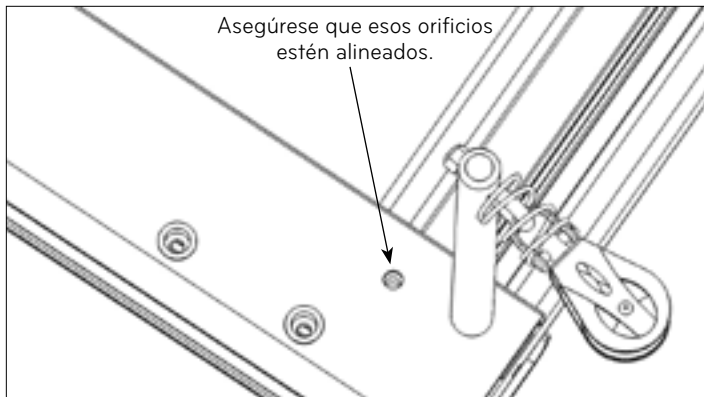


Figura D

8. Con los elevadores aún en su lugar para colocar las placas de tuerca de las patas, coloque dos de las patas en el riel del armazón en el extremo de la cabecera del Reformer, alineando los agujeros de la pata con tres de los agujeros del armazón. Las patas izquierda y derecha no son iguales, de manera que encuentre la que coincida con el patrón de agujero del armazón. Ahora empiece a enroscar los seis tornillos 5/16-18" en el armazón para asegurar las patas en su lugar. Comience con los tornillos que van en el bloque que se mantiene en su lugar por los elevadores y una vez que estén todos instalados, apriételes. Consulte la Figura E.

Ahora puede retirar los elevadores y ponerlos a un lado.

AVISO: El extremo largo de la llave Allen (hexagonal) 3/16" incluida tiene forma de circunferencia para permitir más maniobrabilidad cuando se trabaja en áreas pequeñas. Una vez que los tornillos están apretados a mano, use la parte corta de la llave Allen (hexagonal) para apretar los tornillos.

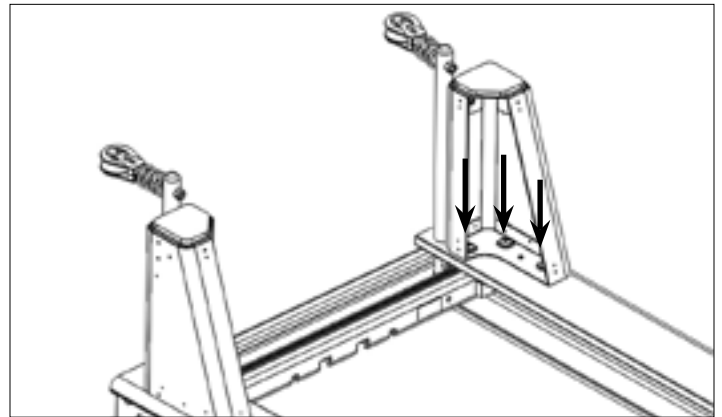


Figura E

9. Instale las patas en el extremo para los pies del armazón de la misma manera con los 6 tornillos. No se requiere placas de tuerca en las patas al extremo de los pies.

10. Usando una llave de 7/16" y la llave Allen (hexagonal) incluida, instale los soportes de las ruedas de transporte con los tornillos y tuercas 1/4-20 como se muestra en la Figura F. Asegúrese que las tuercas estén orientadas como se indica. Típicamente éstas se instalan al extremo para los pies del Reformer como se muestra en la Figura F.

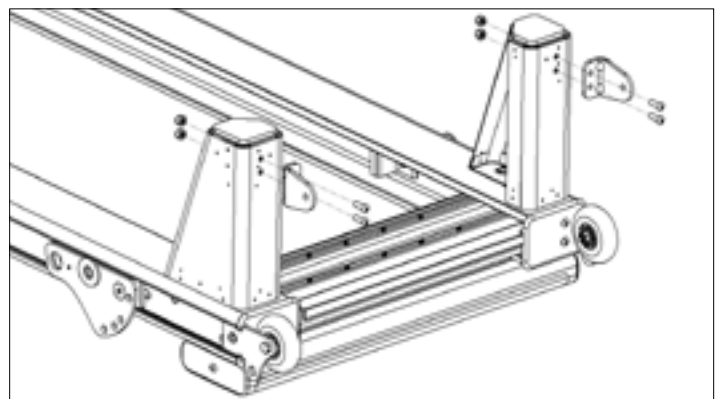


Figura F (no se muestra la barra para los pies)

AVISO: Las ruedas de transporte también pueden instalarse al extremo de la cabecera lo cual le permite mover más fácilmente el Reformer con la Torre. Solo asegúrese de que el carro ha rodado al extremo de la cabecera del Reformer antes de levantar el extremo para los pies de la máquina en esta configuración.

11. Vuelva a instalar las placas de cubierta del extremo de la cabecera en el mismo lado del que las retiró.

AVISO: Si a continuación va a instalar el sistema de Torre, deje fuera las placas de cubierta del riel del extremo de la cabecera.

12. Usando dos llaves inglesas de 1/2" o ajustables, retire las ruedas de transporte de su ubicación actual y colóquelas en los soportes que acaba de instalar. Deje los soportes de ruedas de transporte antiguos en su lugar, ya que es allí donde se puede fijar una correa para los pies. Consulte la Figura G.

AVISO: Es crucial que las arandelas y la rueda se instalen en el mismo orden y orientación que tenían en los soportes originales. Instale una rueda a la vez y si la rueda no gira libremente luego de instalada, vuelva a comprobar contra la otra rueda para asegurar de que todo está en el orden correcto.

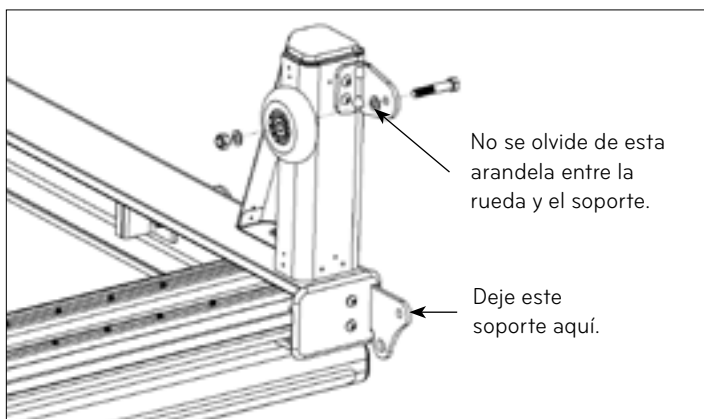


Figura G

13. Las patas están instaladas y ahora puede levantar y voltear con mucho cuidado su Allegro Reformer para que quede sobre las patas. Vuelva a instalar los apoyos para los hombros, los elevadores y las cuerdas.

Cómo instalar y utilizar la almohadilla de la plataforma de pie

Su Allegro Reformer trae una almohadilla para la plataforma de pie. Coloque la almohadilla directamente en la parte posterior de la plataforma de pie que va a usar. Esta almohadilla ayudará a que la plataforma de pie esté a la misma altura de la almohadilla de su carro. Ver la Figura A.

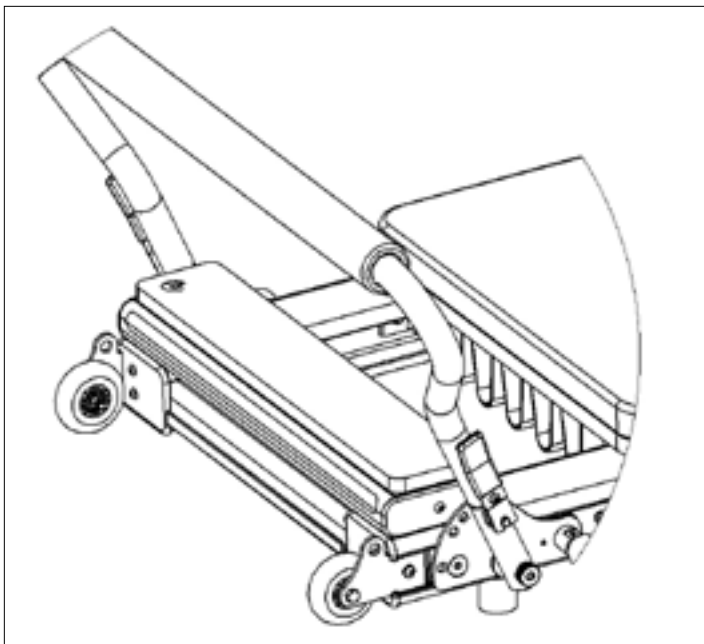


Figura A

Cómo montar la Tower of Power™ (Torre del Poder) de Allegro®

Antes de montarlo, compruebe las piezas y los componentes que recibió con la siguiente lista. Si le falta alguna pieza, comuníquese con el departamento de atención al cliente de Balanced Body llamando al 1-800-PILATES (1-800-745-2837) desde los Estados Unidos y Canadá, o al +1-916-388-2838 (internacional).

PREPARE SU ALLEGRO REFORMER

Si compró un kit para las piernas de 14 pulgadas para el Allegro, le recomendamos firmemente instalar el kit antes de instalar la Torre.

Quite todas las cuerdas y elevadores del Allegro. Si compró el Allegro antes del 1 de febrero de 2004, quite las etiquetas y los respaldos laterales. Puede pedir una etiqueta nueva gratis llamando al 1-800-PILATES (1-800-745-2837) en Estados Unidos y Canadá, o al +1-916-388-2838 (internacional).

LISTA DE PIEZAS

Número de pieza	Descripción	Cantidad
618-024	Torre (Tower)	1
TRP0047	Barra de empuje (PTB)	1
GEN9892	Pasador de mango en T	2
950-234	Soporte de la Torre, derecha	1
950-235	Soporte de la Torre, izquierda	1
950-131	Conjunto de polea y perilla ajustables	2
212-001	Llave Allen (hexagonal) de 5/32", larga	1
SPR9004	Resorte de trampa azul	2
SPR9002	Resorte de trampa amarillo	2
SPR9461	Resorte largo, morado	2
SPR9006	Resorte largo, amarillo	2
710-010	Barra de rodamiento hacia abajo	1
101-005	Bucles de algodón sencillo	1 par
210-023	Correa de seguridad con mosquetón	1
950-236	Montajes para resorte inferior de la Torre	1

HERRAMIENTAS NECESARIAS (NO INCLUIDAS):

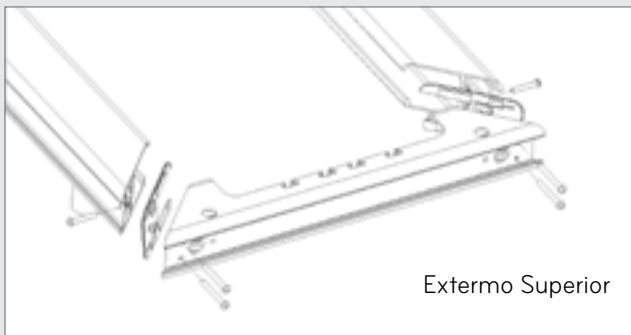
- » Destornillador Phillips



IMPORTANTE: LEA PRIMERO

AVISO: Si tiene una versión original del Allegro con las uniones de esquina angulares (comprado aproximadamente antes de noviembre de 2014), siga estas instrucciones.

- a. Utilizando la llave Allen de 5/32" suministrada, afloje y retire los seis tornillos (uno en cada lado del Reformer y 4 en el extremo superior) que sujetan la parte de arriba del marco. Si ya tiene las patas colocadas, tendrá que quitar los tornillos de las patas que se sujetan al extremo superior del marco. Observe cómo están orientadas las calzas de plástico y cómo encajan entre los elementos del armazón.



- b. Instale los soportes de la Torre como se describe en el paso número 3 a continuación. No apriete los tornillos del soporte.
- c. Vuelva a instalar el extremo superior del marco de su Reformer con las calzas plásticas y los tornillos que retiró en el paso a. Los dos tornillos más cortos van en los lados del marco y los 4 más largos van en el extremo superior. Coloque los 6 tornillos, luego apriételes hasta que estén bien ajustados; no los apriete demasiado. Si tiene las patas, vuelva a colocar esos tornillos también.
- d. Posicione los soportes de la Torre de manera que queden alineados con el borde de los tornillos del armazón en el lado del armazón. A continuación, apriete los tornillos del soporte de la Torre como se describe en el paso 4.
- e. Siga las instrucciones del paso 6 hasta el final.

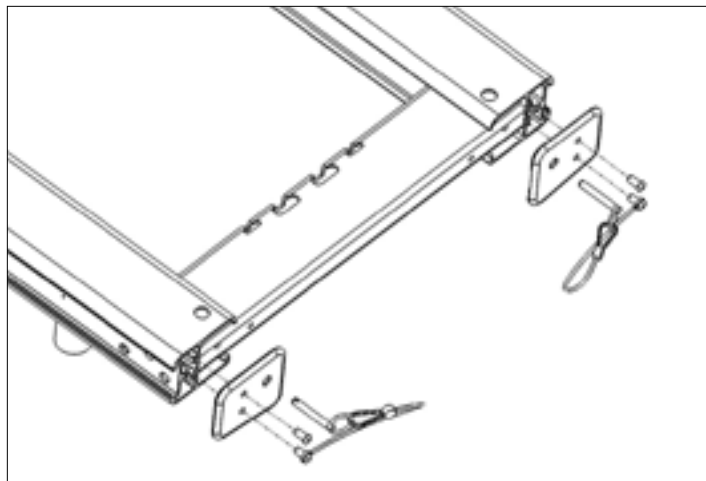


Figura A

2. Cómo instalar los soportes de montaje de la Torre:

- a. Con la llave Allen de 5/32" suministrada, afloje los 6 tornillos dándole de 1 a 2 vueltas en cada soporte. No los quite, solo para que tenga un poco de movimiento entre las placas. Vea la Figura B.
- b. Asegúrese de que los soportes estén alineados como en la Figura B (use las perillas y tornillos grises grandes como referencia) y deslícelos en el canal en C del marco.

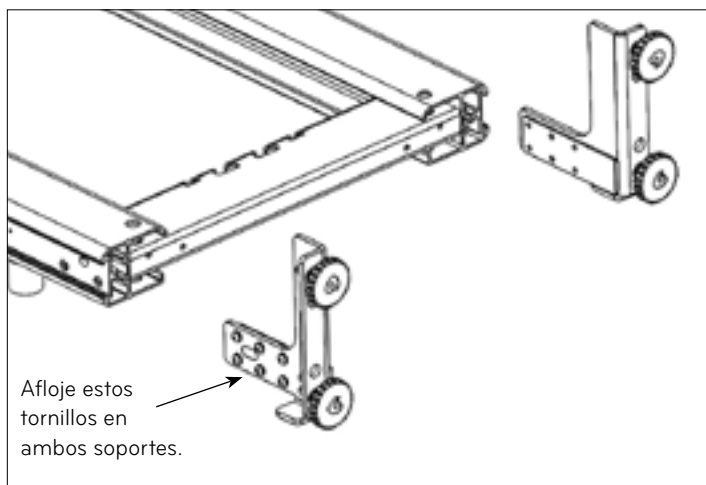


Figura B

3. Vuelva a instalar las tapas de los rieles de plástico en el mismo lado del que los retiró. El cordón y los pasadores de bloqueo ya no son necesarios, por lo que se pueden dejar a un lado con los soportes. Vea la Figura C.

1. Usando la llave Allen (hexagonal) 5/32" incluida, retire los protectores plásticos del riel y los pasadores de bloqueo al extremo de la cabecera del armazón del Allegro. Deberán volver al mismo lado, por lo que no pierda de vista dónde va cada cual y mantenga los tornillos con ellos. Consulte la Figura A.

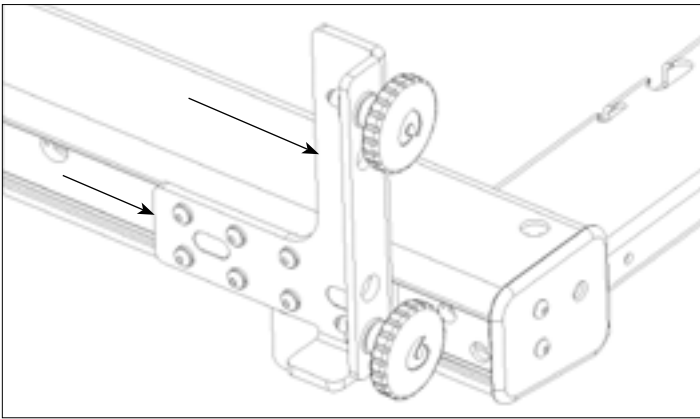


Figura C

4. Asegúrese de que ambos soportes estén completamente deslizados hacia arriba contra las tapas de los rieles de plástico. Usando la llave Allen de 5/32" suministrada, apriete los 6 tornillos en ambos soportes de la torre. Vea las Figuras C y D.

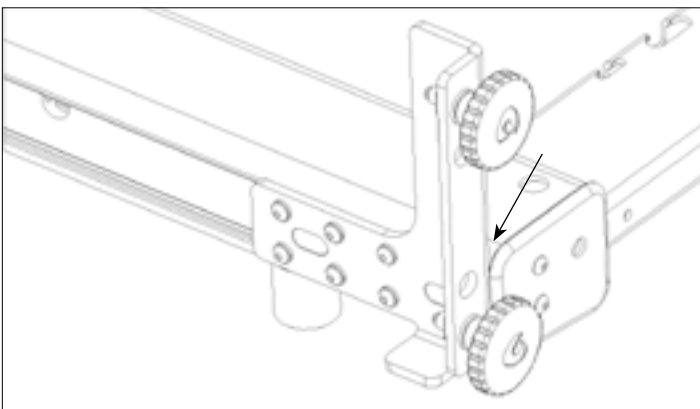


Figura D

5. Instale el bastidor de la Torre en los soportes.
 - a. Oriente el bastidor de la Torre de manera que los orificios con rosca grande vean al lado opuesto del carro.
 - b. Levante el bastidor de la Torre sobre los soportes y bájelo alrededor de ellos para que descansa en la repisa en la parte inferior de los soportes. Consulte la Figura E.
 - c. Deslice el bastidor hacia el soporte hasta que queden al mismo nivel.
 - d. Con un brazo o un ayudante que sostenga el bastidor de la Torre en posición vertical, comience a enroscar las 4 perillas grandes dentro del bastidor de la Torre. Puede que tenga que empujar el bastidor para que se posicione con la perilla, y si alguna le causa problemas, siga con las demás y luego vuelva a esa.

AVISO IMPORTANTE: Comience con las cuatro perillas, con 3 o 4 giros dentro del bastidor de la Torre antes de apretar cualquiera de ellas. También es muy importante que la Torre esté paralela y a ras contra el soporte con las perillas. Es posible que tenga que empujar/tirar/torcer la pata de la Torre para que quede alineada.

- e. Una vez que las cuatro perillas están en posición, apretarlas una por una.

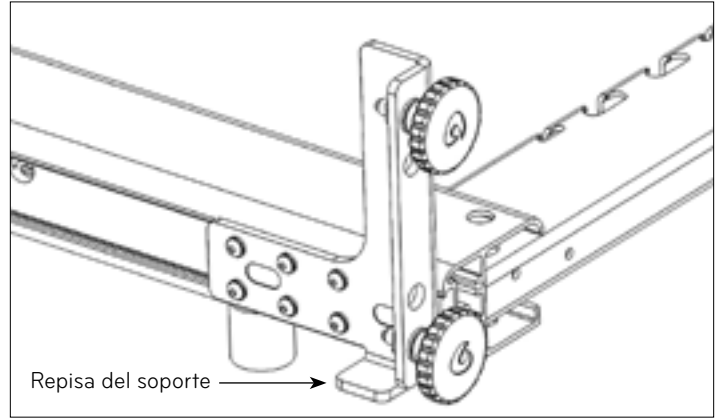


Figura E

6. Instale las poleas ajustables al montar los componentes como se muestran en la Figura G con la polea dentro del bastidor. Apriete la perilla cuando el cáncamo esté en posición horizontal, como se muestra en la Figura F. Repita al otro lado.

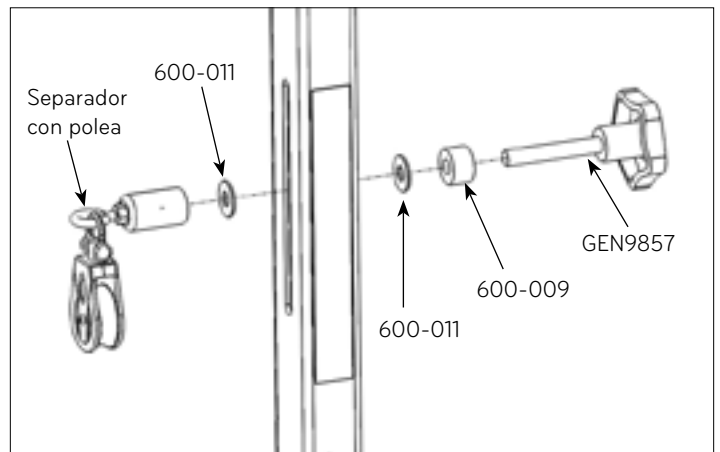


Figura F

7. Instale los soportes inferiores de resortes en el extremo de la cabecera del armazón con el tornillo largo y la llave Allen (hexagonal) de 5/32". Apriete el tornillo con el cáncamo orientado verticalmente como se muestra en la Figura G.

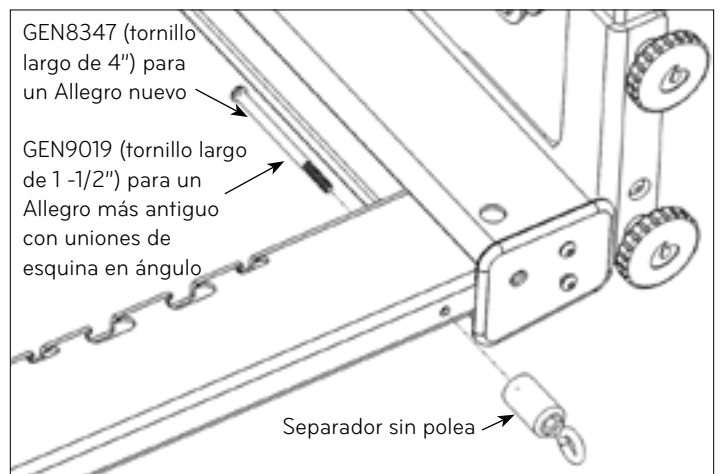


Figura G

8. Vuelva a enhebrar las cuerdas a través de las poleas del elevador nuevo.

REPOSICIÓN DEL PASADOR DE MANGO EN T

Para fines de envío, la Torre se embala con pasadores de mango en T instalados dentro de la plataforma de la Torre. Consulte la Figura H.

9. El pasador de mango en T debe instalarse en la parte exterior de la plataforma de la Torre para su uso. Para retirar el pasador de mango en T, apriete el botón del mango del pasador mientras sostiene firmemente la barra de empuje (PTB). Tire del pasador hasta que salga de la barra de empuje y del bastidor de la Torre. Vuelva a insertar el pasador desde la parte exterior del bastidor de la Torre. Consulte la Figura H.

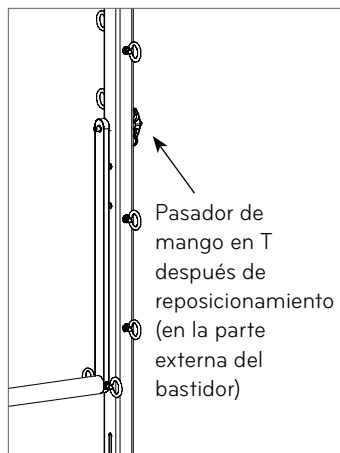


Figura H

CÓMO INSTALAR LA CONVERSIÓN DE COLCHONETA

10. Desconecte todos los resortes del carro
11. Mueva el carro hasta el extremo de la cabecera del armazón del Allegro y quite las cuerdas del medio.
12. Coloque la colchoneta en el espacio abierto entre la plataforma de pie y el carro.
13. Quite los apoyos para los hombros del carro (opcional).

USO DE LA CORREA DE SEGURIDAD DE LA BARRA DE EMPUJE (PTB) PREINSTALADA

Aviso: Use siempre la correa de seguridad para hacer ejercicios con resorte inferior.

Solo se debe usar bajo la supervisión de un instructor calificado. La correa de seguridad de la barra PTB se usa únicamente para hacer ejercicios con resorte inferior. La foto de la derecha muestra la correa de seguridad en la posición correcta para fijar la barra de empuje. La correa incluye varios bucles o "puntos de contacto" para que usted pueda ajustar el "punto de parada"



Figura I

de la barra PTB si se suelta durante un ejercicio.

Aviso: Use la parte de velcro de la correa de seguridad orientada hacia la parte superior del bastidor de la Torre para fijar la barra PTB en posición vertical cuando no esté en uso.

CÓMO TRASLADAR Y PONER VERTICALMENTE (DE PIE) UN ALLEGRO CON UNA TORRE (TOWER)

Aviso: Siempre tenga precaución al mover, levantar o almacenar un Allegro o un Allegro con una Torre. Use una técnica de levantamiento adecuada para evitar lesiones.

PARA TRASLADAR:

Para trasladar un Reformer con una Torre una corta distancia, puede levantar el extremo de la cabecera y rodarla hacia las ruedas de transporte como si no tuviera una Torre. Tenga en cuenta que levantará la Torre y el Reformer, de manera que será más pesado que el Reformer solamente. La Torre también quedará bastante elevado, de manera que tenga cuidado si no tiene techos altos.

Si no es posible mover el Reformer y la Torre, retire la Torre y luego mueva el Reformer.

1. Tire las cuerdas hacia atrás a través de las poleas en el elevador.
2. Afloje las cuatro perillas grises de la Torre y retírelo del armazón del Reformer. Si esto es muy pesado, puede retirar primero los resortes y la barra de empuje. Si no puede quitar la barra de empuje o la barra de rodamiento hacia abajo, tenga en cuenta que pueden girar libremente.
3. Ahora, con el carro sujeto en la posición inicial por lo menos con 2 resortes, levante el extremo de la cabecera del Reformer para que ruede.

Aviso: Si tiene instaladas las piernas extendidas y tiene las ruedas de transporte al extremo de la cabecera, puede dejar la Torre instalada y levantar el extremo de los pies de la máquina para rodarla. Solo asegúrese que el carro está al extremo de la cabecera del armazón antes de levantarlo. En esta configuración utilizará más espacio a medida que se mueve, pero en ciertas circunstancias es aceptable. No levante el Reformer por la barra para los pies.

PARA PONERLO DE PIE:

4. Retire el bastidor de la Torre como se explica en la sección "Para trasladar". **La Torre debe retirarse antes de ponerlo de pie.**
5. Es absolutamente crucial que la barra para los pies del Allegro esté colocada y trabada en la posición correcta para almacenar el aparato verticalmente. Mueva y trabe la barra para los pies en la posición más cercana al extremo de los pies del armazón del Reformer. Eleve la barra para los pies a la posición más alta. Eleve el extremo de la cabecera del armazón del Allegro a la altura de la cintura. Luego, eleve el armazón a la posición vertical. Use su pie para estabilizar el extremo de la plataforma con ruedas cuando la levante para colocarla en posición vertical. El Allegro en posición vertical se apoyará sobre la barra para los pies y las ruedas de transporte.

Aviso: Es absolutamente crucial que la barra para los pies del Allegro esté colocada y trabada en la posición correcta para almacenar el aparato verticalmente.

Cómo instalar la Correa de seguridad para la pared de su Allegro®

La correa de seguridad para la pared del Allegro está diseñada para montarse en paredes con estructuras de madera estándar. Si tiene un tipo de material de construcción de pared diferente (ladrillo, hormigón, etc.), puede necesitar un sujetador diferente. Consulte con su ferretería o contratista local.

Lista de piezas (incluidas)

- » 1 correa de banda ajustable
- » 1 cáncamo de 3-1/2"

Herramientas necesarias (no incluidas):

- » Broca de taladro de 1/8"
- » Destornillador Phillips o de cabeza plana

INSTALE EL CÁNCAMO

1. Encuentre un travesaño en la pared donde quiere parar su Allegro. Asegúrese de tener amplio espacio a ambos lados del travesaño y también por encima del Allegro. Use un taladro de broca de 1/8", preperfore un agujero en el travesaño. El agujero debe estar entre 5' a 5 1/2' (1.5 a 1.67 m) por encima del piso. Asegure el cáncamo dentro del agujero preperforado con el destornillador hasta que el eje del cáncamo esté completamente dentro de la pared.

CÓMO USAR LA CORREA DE SEGURIDAD PARA LA PARED

2. Siga las instrucciones de su Allegro o Allegro Tower para el procedimiento de poner de pie adecuado.
3. Mueva el Allegro cerca de la pared con la barra para los pies apuntando al lado opuesto de la pared (perpendicular a la pared).
4. Envuelva los extremos de las correas alrededor de un riel y conecte los extremos como un cinturón, usando el clip ajustable.
5. Ajuste la correa para evitar que se afloje.



AVISO: No trate de envolver los extremos de la correa alrededor de todo el armazón, no van a encajar.

IMPORTANTE: Balanced Body no se hace responsable de ningún daño o lesión ocasionado por la instalación incorrecta del montaje de pared, o por el uso incorrecto o inadecuado del equipo de montaje en la pared.

Si tiene preguntas, comuníquese con Balanced Body llamando al 1-800-PILATES (1-800-745-2837) en Estados Unidos y Canadá, o al +1-916-388-2838 (internacional).

Cómo ensamblar el Reformador de Estiramiento Allegro®

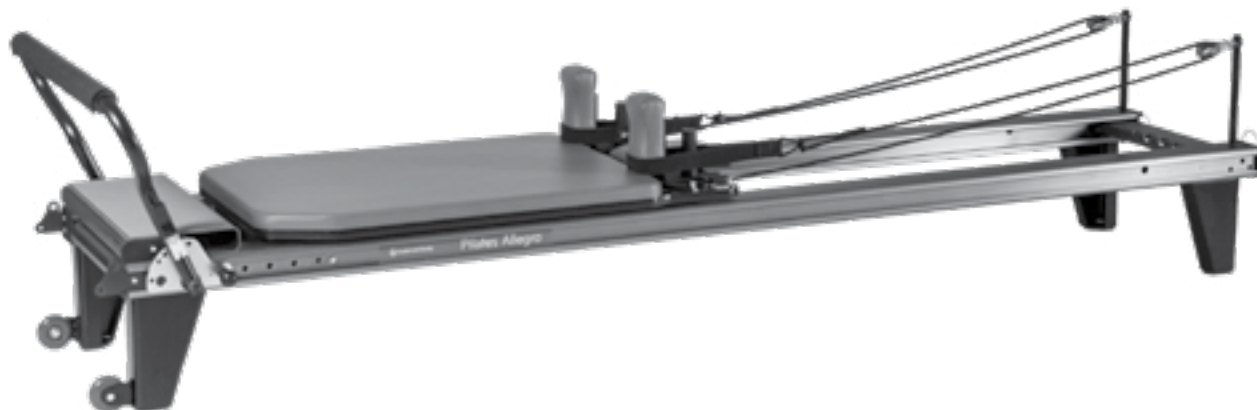
LISTA DE PIEZAS

Número de pieza	Descripción	Cantidad
950-002	Barra para los pies completa	1
950-020	Tornillos de pivote y arandelas	1 juego
950-228	Apoyo de hombros con soportes	1 par
616-400	Poste de bloqueo para los hombros	2
GEN8000	Perillas trincantes de émbolo giratorias	2
210-057	Cuerdas de tacto suave, estiramiento	1 par
210-064	Bucles dobles Soft Touch (suaves)	1 par
950-225	Elevador con polea Allegro	2
GEN9050	Llave hexagonal de 5/16"	1
ALL0060	Llave inglesa Allegro	1
SPR9070	Resorte rojo	3
SPR9071	Resorte azul	1
SPR9241	Resorte amarillo	1
621-008	Plataforma de pie extragrande	1
UPH7040	Almohadilla de espuma - Plataforma de pie	1
UPH7041	Almohadilla de espuma - Plataforma de pie extragrande	1

PRECAUCIONES IMPORTANTES: SÍRVASE LEER LA ADVERTENCIA

Para reducir el riesgo de lesiones graves, lea las siguientes precauciones importantes antes de usar el Allegro.

- » Lea todas las instrucciones en este manual antes de usar el Allegro. Antes de usar el equipo, vea el video de Instalación y seguridad que se incluye con el Allegro. Use el Allegro únicamente como se describe en estas instrucciones y el video.
- » Es responsabilidad del propietario asegurarse de que todos los usuarios del Allegro estén debidamente informados de todas las precauciones.
- » Use el Allegro solo en una superficie nivelada. Mantenga las manos y los pies alejados de todas las piezas móviles. Cuando no se esté usando el Allegro, deje por lo menos dos resortes conectados al carro. Mantenga a los niños menores de 12 años de edad y animales domésticos alejados del Allegro en todo momento.
- » Si siente dolor, mareo o le falta el aliento, deje inmediatamente de hacer ejercicio.
- » Antes de comenzar cualquier programa de ejercicios, consulte a su médico.



INSTALE LOS APOYOS PARA LOS HOMBROS

El reformador de estiramiento viene con ocho posiciones diferentes de apoyos para los hombros. Los apoyos para los hombros pueden ser ajustados en función de la estrechez o anchura de los hombros. Los apoyos para los hombros izquierdo y derecho pueden ser intercambiados para lograr estas configuraciones.

1. Observe los dos pernos que sobresalen en la parte inferior de los apoyos para los hombros. Baje los pernos de los apoyos para los hombros, colóquelos dentro de las bocallaves y deslícelos en dirección opuesta al acolchado del carro. Consulte la Figura A.

Aviso: Los apoyos para los hombros pueden instalarse en dos posiciones. Una posición es más ancha y más cómoda para hombros anchos. Intercambie los apoyos de hombros izquierdo y derecho para cambiar entre las configuraciones estándar y amplia.

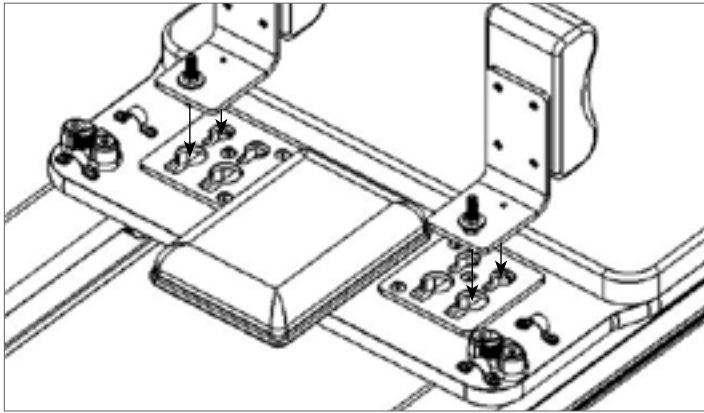


Figura A

2. Ahora atornille los postes de bloqueo de los hombros en el perno expuesto en cada apoyo de hombros. Consulte la Figura B. **Cómo usar los postes de bloqueo de hombros:**

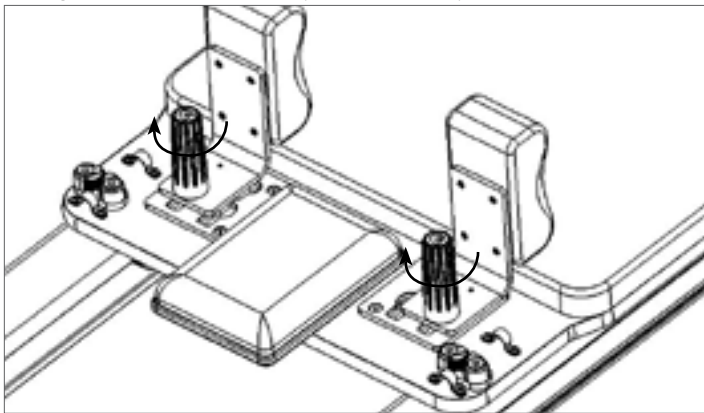


Figura B

Gire los postes hacia la derecha para apretarlos y bloquee los apoyos para los hombros en su posición. Apriete los postes lo suficiente para que sea difícil retirarlos. Deben quedar ajustados pero no excesivamente apretados. Para retirar los apoyos para los hombros, gire el poste hacia la izquierda 1 o 2 veces y deslice suavemente los apoyos para los hombros hacia el carro.

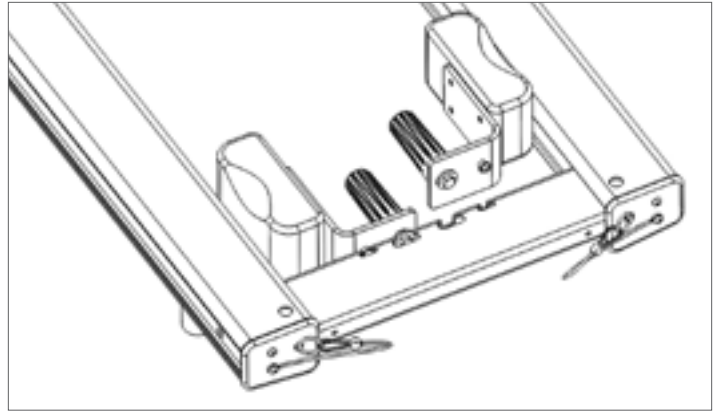


Figura C

La Figura C muestra la posición de almacenamiento para el apoyo para los hombros. Observe las ranuras de bocallave en el extremo de la cabecera del armazón del Allegro.

INSTALE LAS PERILLAS DE ÉMBOLO NEGRAS

3. Mire a través del agujero roscado grande en muñón y alinee con uno de los agujeros del armazón. Atornille la perilla de émbolo dentro del agujero grande hasta que quede completamente enroscado. Consulte la Figura D.

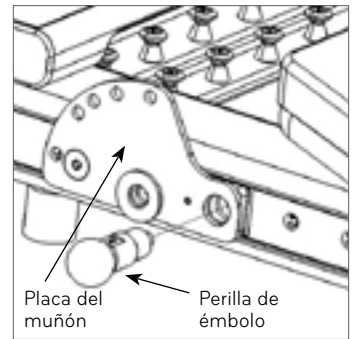


Figura D

4. Repita en el otro lado. Apriete ambas perillas de émbolo de forma segura con la llave de boca incluida.

Para mover los muñones, tire la bola de las perillas de émbolo alejándolas del armazón y gire 90° para bloquear. Para reactivar el émbolo, gire la perilla hasta que encaje dentro de uno de los agujeros en el lado del armazón.

Aviso: Antes de continuar, asegúrese que ambas placas del muñón estén bloqueadas en la misma posición horizontal.

CÓMO INSTALAR LA BARRA PARA LOS PIES

5. Levante la barra para los pies de manera que la costura del forro de la cubierta quede opuesta al acolchado del carro.

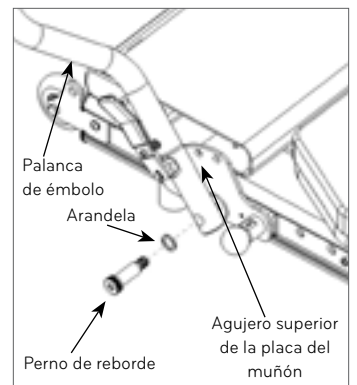


Figura E

6. Mientras sujeta las palancas de émbolo de la barra para los pies, guíelas sobre la parte exterior de las placas del muñón. Alinee cada pasador de la barra para los pies con el agujero superior en la placa del muñón. Mientras sujeta la barra para los pies, suelte las palancas de émbolo para encajar la placa del muñón. Asegúrese de que los pasadores de ambos lados estén enganchados. Consulte la Figura E.

7. Gire ligeramente la barra para los pies hasta que el agujero grande de la parte inferior de ésta quede alineado con el agujero restante de la placa del muñón.
8. Deslice el perno de resalto con una arandela a través del agujero grande de la barra para los pies. Luego, enrosque el perno de resalto en la placa del muñón y apriételo todo lo posible con la llave hexagonal (Allen) más grande. Repita los pasos en el otro lado. Consulte la Figura E.

INSTALE LOS ELEVADORES

9. Retire los pasadores de bloqueo del armazón. Inserte los elevadores a través de los agujeros en la parte superior del armazón. Gire los elevadores hasta que las poleas unidas apunten directamente hacia abajo del armazón, hacia la barra para los pies. Consulte la Figura F.
10. Vuelva a insertar los pasadores de bloqueo hasta que el anillo de metal toque el armazón. Quizás tenga que mover o levantar ligeramente o rotar el elevador para que los pasadores de bloqueo entren completamente.

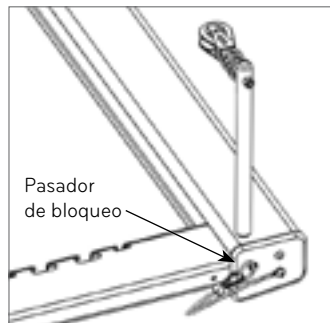


Figura F

INSTALE LAS CUERDAS

11. Para instalar las cuerdas, primero enganche por lo menos un resorte del carro al armazón para mantener el carro en posición inicial. Desenrolle y separe las cuerdas.
12. El Allegro viene ahora con cuerdas Soft Touch (suaves) que no necesitan ganchos de perro para fijar los bucles. ¡El gancho ya no se arrastrará sobre el armazón ni lo golpeará! Siga las imágenes a continuación para instalar los bucles. Consulte la Figura G.

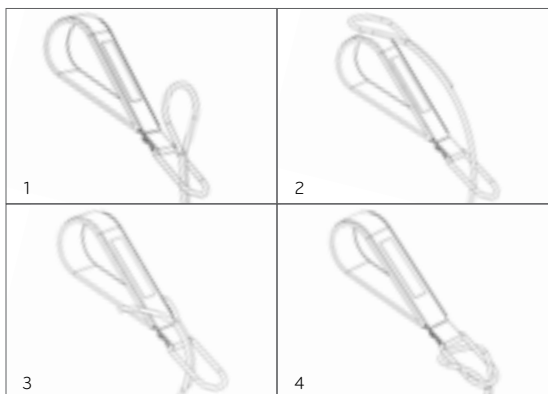


Figura G

13. Coloque los bucles sobre los apoyos para los hombros. Pase el otro extremo de cada cuerda a través de una polea del elevador y nuevamente dentro de los sistemas de fijación de leva del carro para ajustar la longitud. Asegúrese de ir a través de las manijas de ojo de cromo a ambos lados de los sistemas de fijación de leva. Siempre empuje la cuerda firmemente hacia abajo dentro de los ganchos para asegurar un agarre firme.

CÓMO GUARDAR EL ALLEGRO REFORMER

Para apilarlo

Para ver una demostración de cómo apilar el Allegro, vea el segmento de Instalación y seguridad del video de Introducción/ Nivel 1 del Allegro. Fije los resortes para evitar que el carro se mueva. Mueva la barra para los pies a la posición "hacia abajo". Quite los apoyos para los hombros y guárdelos en las ranuras de la cabecera del armazón. Baje el reposacabezas. Quite los elevadores y guárdelos en los huecos en la cabecera del armazón. Coloque las cuerdas y los bucles dentro del armazón del Allegro, no en el carro. Alterne la orientación de los Allegros a medida que los apila. Coloque las patas del extremo de la cabecera hacia la plataforma de pie del Allegro de abajo, y así sucesivamente. Apile un máximo de 5 Reformers sin patas (3 con patas). No apile el Reformer con Torres.

De pie

Si está equipado con una plataforma de posición de gran tamaño, por favor asegúrese de sacarla antes de apoyar el reformador. Es absolutamente crucial que la barra para los pies del Allegro esté colocada y trabada en la posición correcta para almacenar el aparato verticalmente. Mueva y trabe la barra para los pies en la posición más cercana al extremo de los pies del armazón del Reformer. Mueva la barra para los pies hacia abajo desde la posición más alta. Eleve el extremo de la cabecera del armazón del Allegro a la altura de la cintura. Luego, eleve el armazón a la posición vertical. Use su pie para estabilizar el extremo de la plataforma con ruedas cuando la levante para colocarla en posición vertical. El Allegro en posición vertical se apoyará sobre la barra para los pies y las



Figura H

LIMPIEZA Y MANTENIMIENTO

Limpieza

Después de cada uso, limpie la almohadilla del carro, el reposacabezas, la barra para los pies y los apoyos para los hombros con un paño suave y un limpiador suave y no abrasivo. Mantenga el riel y las ruedas del carro limpias y libres de polvo y suciedad. Limpie toda la pista con una toalla regularmente. Limpie la pista del muñón de la barra para los pies semanalmente. Limpie el armazón con un limpiador suave que no sea abrasivo. Mantenga las cuerdas y los resortes libres de polvo. Los bucles de algodón pueden lavarse en la lavadora. Cuélguelos para secarlos.

Lubricación

El canal en C del muñón de la barra para los pies se puede lubricar con un aerosol de silicona en seco.

MANTENIMIENTO

Vea la Primera guía de seguridad incluida.

¿PREGUNTAS?

Llame al número de soporte técnico de Balanced Body al 1-800-745-2838 (Estados Unidos y Canadá), o al +1-916-388-2838.

Nuevas Características de la Barra de Pies para Balanced Body® Sistema de Estiramiento Allegro®

AJUSTES DE LA BARRA PARA LOS PIES

El Allegro está equipado con una barra para pies ajustable que se puede mover para acomodar a usuarios de estaturas diferentes. Para mover la barra para los pies, tire hacia afuera las perillas negras redondas en la parte inferior de la barra para los pies y gírela 90 grados para desbloquear. Deslice la barra para los pies hacia adelante o hacia atrás hasta que quede alineada en la pista con el agujero que desea. Gire la perilla hasta que la clavija se acople en un agujero. Asegúrese de que la clavija esté completamente enganchada.

- » **Agujero 1** es el más cercano al extremo de la barra para los pies del Reformer y crea la distancia más larga entre los apoyos para los hombros y la barra para los pies. Se utiliza para los usuarios más altos (más de 6' 3" [1.91 m.] o cuando se desea disminuir la flexión entre la rodilla y la cadera.
- » **Agujero 2** es para usuarios entre 6' y 6' 3" [1.82 y 1.91 m]
- » **Agujero 3** es para usuarios entre 5' 9" y 6' [1.75 y 1.82 m]
- » **Agujero 4** es para usuarios entre 5' 5" y 5' 9" [1.65 y 1.75 m]
- » **Agujero 5** es para usuarios de una altura entre 4' 10" y 5' 5" [1.47 y 1.67 m]

Las estaturas mencionadas son solo sugerencias. El ajuste de la barra para los pies debe permitir que el usuario tenga un poco menos de 90° de flexión en la cadera cuando el carro está totalmente al fondo para ejercitar las piernas y los pies.

AJUSTES VERTICALES DE LA BARRA PARA LOS PIES

Para ajustar la barra de pies de forma vertical, presione ambos mangos en la parte inferior de la barra de pies hasta que el pasador se desenganche de la placa. Mueva la barra para los pies a la altura deseada y suelte la clavija en el agujero.

- » **Barra Vertical** – Mueva el pasador al orificio más alto y suelte el mango. Esta posición es el espacio más corto entre los apoyos de hombros y la barra de pies. Esta posición se usa para el trabajo de los pies y piernas para los usuarios más bajos.
- » **Barra más alta** – Mueva el pasador al 2° orificio desde la parte superior y suelte el mango. La posición de barra más alta acorta el espacio entre los apoyos de los hombros y la barra para los pies. Esta posición se usa para el ejercicio de piernas y pies con usuarios de menos estatura que tienen dificultad para mantener la posición de la espalda por un aumento de lordosis lumbar o una espalda inflexible.

- » **Barra media** – Ponga el pasador en el 3er orificio desde la parte superior de la plancha. La posición de barra media alarga el espacio entre los apoyos para los hombros y la barra para los pies. Esto disminuye la flexión de las rodillas en el ejercicio de piernas y pies y coloca el torso en una posición de pie neutral.
- » **Barra baja** – Ponga el pasador en el 4° orificio desde la parte superior de la plancha. La posición de barra baja alarga el espacio entre los apoyos de los hombros y la barra para los pies a su máxima longitud. Esto disminuye la flexión de las rodillas en el ejercicio de piernas y pies, disminuye la flexión del torso y caderas en elefante y puede ser útil para usuarios más altos y flexibles.
- » **Sin barra** – Coloque la clavija en el agujero más bajo de la placa. Esta posición se usa para mover la barra del medio para los ejercicios de pie y para los ejercicios en que el usuario está acostado en la caja.

Por favor, consulte el manual para todas las demás características de Allegro.

PERILLAS DE ÉMBOLO DE BLOQUEO FÁCILES DE USAR

El Reformer Allegro® de Balanced Body, el Clinical Reformer® Clínico y el Studio Reformer® con barras para los pies Infinity traen una perilla de émbolo de bloqueo que hace que sea mucho más fácil ajustar y movilizar la barra para pies del Reformer en la estructura.

Para utilizarlo, tire de la perilla de émbolo hacia afuera para que la clavija transversal empotrada salga de las ranuras, como se muestra en la Figura A. Luego, gire la perilla de manera que la clavija transversal descansa sobre la cabeza de la perilla, tal como se muestra en Figura B. Repetir en el otro lado.

Teniendo las perilla en la posición de "bloqueada", reubique la barra para pies en la estructura de su Reformer en la posición deseada. Luego, gire las perillas de manera que la clavija transversal esté una vez más liberada, bloqueando la barra de pies en su nueva posición.

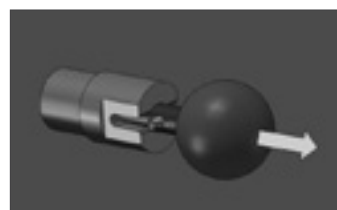


Figura A

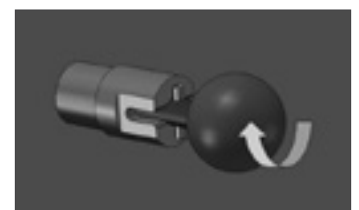


Figura B

Cómo instalar y utilizar la almohadilla de la plataforma de pie

Si pidió un Allegro Stretch Reformer, su máquina viene con la plataforma inclinable de pie extra grande "New Style" y la almohadilla de la plataforma extra grande.

Si pidió un Allegro Reformer normal, consulte la información que se encuentra a continuación para saber qué plataforma pedir.

Determinar qué estilo de Allegro Reformer tiene.

- » Si los rieles cerca de su trunion y de la plataforma de pie tienen un agujero con ranuras, siga las instrucciones de "New Style" y pida la pieza número 950-266; Plataforma de pie extra grande, A1b.
- » Si su reformer no tiene ranuras en los rieles, por favor siga las instrucciones del modelo "Old Style" (que están en una hoja separada) y pida la pieza número 720-063; Plataforma de pie extra grande, A1b.

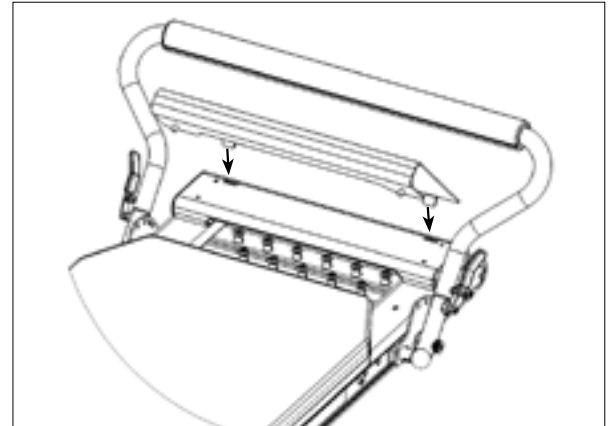


Figure B

NEW STYLE

INSTALAR LA PLATAFORMA DE PIE EXTRA GRANDE

1. Baje la plataforma inclinable de pie extragrande (O.S.P.) hasta la plataforma de pie montada. Hay dos pestañas en el O.S.P. que bajarán hasta las ranuras en la plataforma de pie. Las clavijas en la parte inferior estarán orientadas hacia su carro. Ver la Figura B.
2. Una vez que estén instaladas las pestañas en el O.S.P., gírelo hacia adelante y hacia abajo para que las clavijas bajen sobre los rieles y caigan en las ranuras de los rieles. Ver Figura C.
3. Ya puede usar su O.S.P. Para tener acceso a los muelles y cambiarlos, incline el O.S.P. hacia arriba y alejado del carro. Una vez hecho el cambio, baje el O.S.P. y póngalo nuevamente en los rieles.

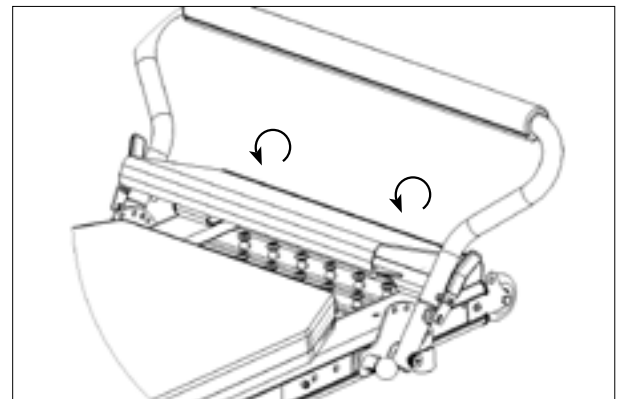


Figure C

Cómo instalar y usar las almohadillas de la plataforma de pie para el Allegro® Stretch Reformer

Su Allegro Stretch Reformer trae dos almohadilla para la plataforma de pie, una para la plataforma de pie fija y otra para la plataforma de pie extra grande. Ubíquelas directamente en la parte superior de la plataforma de pie para usarlas. Estas almohadillas ayudarán a que la plataforma de pie esté a la misma altura de la almohadilla de su carro. Ver las Figuras A y B.

Nota: debe quitar la almohadilla más pequeña para poder instalar el O.S.P. SOLAMENTE use una almohadilla a la vez.

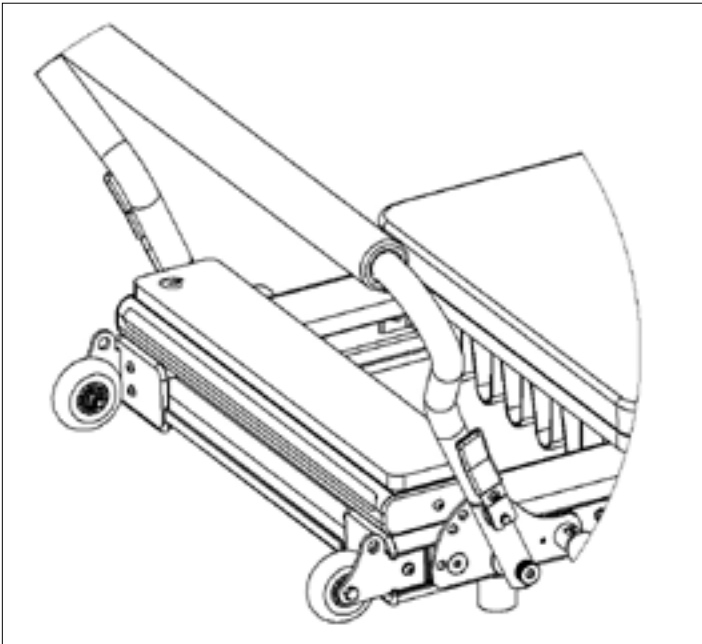


Figura A - Almohadilla de la plataforma de pie

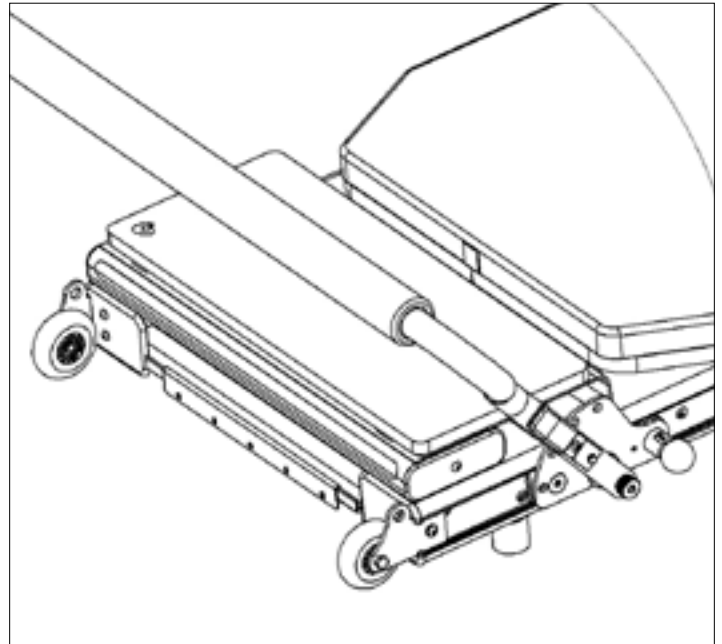


Figura B - Almohadilla de la plataforma de pie extra grande

Ejercicios en el Reformer

Definición de los términos de preparación para el ejercicio

Nivel: El nivel de experiencia necesario para realizar el ejercicio.

Repeticiones: Cuántas veces se realiza el ejercicio.

Resortes: Cuántos resortes deben conectarse durante el ejercicio.

Barra: La posición correcta de la barra de pies durante el ejercicio.*

Reposacabeza: La posición correcta del reposacabeza durante el ejercicio.*

Bucles: Qué bucles deben usarse durante el ejercicio.*

Foco: En qué se debe hacer hincapié durante el ejercicio.

Precauciones: Condiciones físicas que pueden limitar o excluir a un participante. Puede resultar necesario modificar los ejercicios para las personas que presentan dichas condiciones.

Requisitos previos: Ejercicios específicos que deben dominarse antes de comenzar un nuevo ejercicio.

Posición inicial: Dónde comenzar el ejercicio en el Reformer.

*Si corresponde

SEGURIDAD Y MANTENIMIENTO

SEGURIDAD

Para reducir el riesgo de lesiones o daños, lea todas las instrucciones y las siguientes precauciones importantes antes de usar el Allegro Reformer Allegro Tower System.

- » Es responsabilidad del propietario asegurarse de que todos los usuarios del Allegro Reformer Allegro Tower System estén debidamente informados de todas las precauciones.
- » Use el Allegro Reformer Allegro Tower System solo sobre una superficie nivelada.
- » Mantenga las manos y los pies alejados de todas las piezas móviles. Cuando no se esté usando el Allegro Reformer Allegro Tower System, deje por lo menos dos resortes conectados al armazón.
- » Mantenga a los niños menores de 12 años de edad y los animales domésticos alejados del Allegro Reformer Allegro Tower System en todo momento.
- » Si siente dolor, se mareo o le falta el aliento, deje de hacer ejercicios inmediatamente.
- » No se pare en la barra para los pies.
- » Antes de comenzar cualquier programa de ejercicios, consulte con su médico.
- » No coloque el Allegro Reformer Allegro Tower System en posición vertical si no tiene el juego de ruedas.

MANTENIMIENTO

- » Dependiendo de la frecuencia de uso, los resortes deberían ofrecer un uso seguro durante uno o dos años (3000 horas). Cambie cualquier resorte que esté torcido, doblado o muestre separaciones mientras está en reposo.
- » Si tiene que cambiar las cuerdas, consulte las instrucciones de debajo del carro. El Reformer tendrá que ser colocado de lado (coloque una colchoneta para Pilates en el piso junto al Reformer para proteger el acabado), o en posición vertical si tiene ruedas de transporte.
- » Quite el pelo y la suciedad de los ejes de las ruedas. La suciedad puede crear presión sobre los cojinetes y desgastarlos. Si los cojinetes hacen ruido, cámbielos. Aparte de eso, no es necesario dar ningún mantenimiento a los cojinetes.
- » Repare cualquier desgarrón de la tapicería con un juego de reparación de tapicería disponible en las tiendas de piezas automotrices, o haga que lo reparen localmente.
- » Comuníquese con Balanced Body para otras opciones de tapicería y nuevo tapizado. Hay tapizado de recambio disponible en Balance Body
- » Revise y apriete todos los tornillos y pernos. Sustituya los tornillos, pasadores de retención y otras piezas que falten.
- » Revise mensualmente los pernos de la barra para los pies para asegurarse de que aún estén apretados.

LIMPIEZA

Después de cada uso, limpie la almohadilla del carro, el reposacabezas, la barra para los pies y los apoyos para los hombros con un paño suave y una mezcla de agua y jabón suave que no sea abrasiva. Mantenga el riel y las ruedas del carro limpias y libres de polvo y suciedad. Limpie el armazón con una mezcla de agua y jabón suave que no sea abrasiva. Mantenga las cuerdas y los resortes libres de polvo. Los bucles de algodón pueden lavarse en la lavadora. Cuélguelos para secarlos.

NOTA: NO LUBRIQUE NI ENGRASE NINGÚN COMPONENTE DEL, COMO LA BARRA DE PIES, EL SOPORTE, LAS RUEDAS O LOS RIELES. Si tiene algún problema o pregunta, póngase en contacto con el servicio de soporte técnico de Balanced Body. Si lubrica o engrasa estos componentes, es posible que no se bloqueen correctamente y se vuelvan inseguros.

¿Tiene preguntas? Llame al número de soporte técnico de Balanced Body al 1-800-PILATES o al +1-916-388-2838, o envíe un mensaje a info@pilates.com.

JERCICIOS DE PIES, TODOS LOS NIVELES

10 repeticiones

Resortes: 2 – 4 resortes

Barra: Media o alta

Reposacabeza: Arriba

FOCO

- » **Respiración** – exhalar hacia afuera/inhalar hacia adentro, o inhalar hacia afuera/exhalar hacia adentro
- » Columna neutra
- » Estabilidad pelviana
- » Alineación de cadera, piernas y tobillos
- » Fortalecimiento de cadera, piernas y tobillos
- » **Circulación**
- » **Aislamiento** – liberar la tensión innecesaria acumulada en la parte superior del cuerpo y en las caderas

PRECAUCIONES

Sensible al tobillo, la rodilla, la flexión de cadera y la compresión de columna

Posiciones iniciales

Posición supina sobre el carro, pies sobre la barra de pies, piernas separadas a la altura de la cadera

Talones

Talones sobre la barra de pies, empujar hacia atrás y regresar

Dedos de los pies

Bola del pie sobre la barra, talones levemente levantados, empujar hacia atrás y regresar

Prensil

Bola del pie alrededor de la barra, empujar hacia atrás y regresar

V de Pilates

Bola del pie sobre la barra, invertida hacia afuera, releve bajo, talones juntos, empujar hacia atrás y regresar

Flexionar/Releve

Bola del pie sobre la barra, piernas estiradas y paralelas, tobillo con planta flexionada, tobillo en dorsiflexión, tobillo con planta flexionada, rodillas flexionadas, empujar hacia atrás y regresar hasta la posición inicial

2a posición

Talones en los extremos de la barra, levemente girados hacia afuera, empujar hacia atrás y regresar

Correr en el lugar

Bola del pie sobre la barra, un talón en dorsiflexión, la otra rodilla flexionada, alternar las piernas 20 a 50 veces



Talones



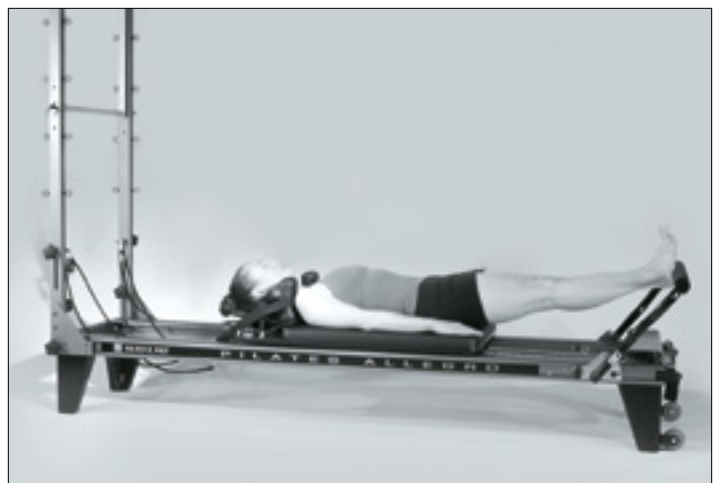
Dedos de los pies



Prensil



V de Pilates



CHARIOT, NIVEL 1

10 repeticiones

Resortes: 1 – 2

Barra: Ninguna

Bucles: Cortos

Foco

- » **Respiración** - exhalar al rodar hacia abajo/inhalar al rodar hacia arriba o inhalar hacia abajo/exhalar hacia arriba
- » Flexibilidad de la columna
- » Fuerza abdominal
- » Hombros abajo
- » Cuello largo
- » Flexores de la columna flojos

Precauciones

Lesiones de espalda, lesiones de cuello, lesiones de los flexores de la cadera. Se debe tener precaución en casos de osteoporosis

Requisitos previos

Comodidad durante la flexión de la columna

Posición inicial

Sentado frente a las cuerdas, rodillas flexionadas, bucles en las manos, brazos estirados y hombros flojos

Ejercicio estándar

Sostener los bucles con los brazos estirados, rodar hacia abajo, encorvando la espalda y manteniéndose levantado, rodar hacia atrás manteniendo una leve flexión de la columna

Variación oblicua

Rotar las rodillas hacia un lado y el torso hacia el otro, rodar hacia abajo, cambiar la rotación y rodar hacia arriba

Variaciones con ejercicios de brazos

Rodar hacia atrás y, con la zona lumbar sobre el carro, agregar flexiones de bíceps o elevaciones de deltoides y realizar 3 repeticiones, rodar hacia arriba



EN, TODOS LOS NIVELES

10 grupos

Resortes: 1 – 3

Barra: Ninguna

Bucles: Regulares Reposacabeza: Arriba

Foco

- » **Respiración percusiva** - inhalar durante 5, exhalar durante 5
- » **Pelvis estable** – fija o neutra
- » Abdominales hundidos
- » Fuerza abdominal
- » Hombros abajo
- » Cuello largo

Precauciones

Lesiones de espalda, lesiones de cuello, lesiones de los flexores de la cadera, osteoporosis

Requisitos previos

Cien sobre la estera

Posición inicial

En posición supina sobre el carro, rodillas a 90 grados, manos en los bucles, brazos hacia el techo

Nivel 1

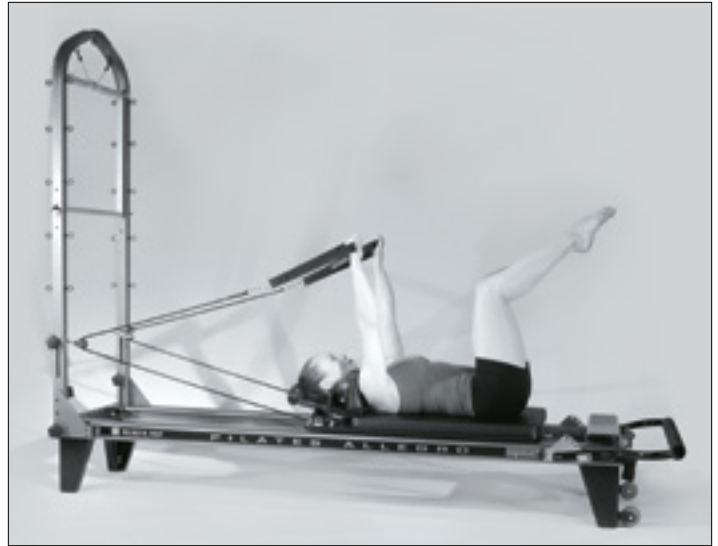
Rodillas flexionadas a 90 grados, extender los brazos sobre los laterales a medida que la cabeza y la parte superior del cuerpo se despegan del carro, impulsar los brazos con la respiración

Nivel 2

Piernas estiradas hacia el techo, extender los brazos sobre los laterales a medida que la cabeza y la parte superior del cuerpo se despegan del carro, impulsar los brazos con la respiración

Nivel 3

Extender los brazos sobre los laterales a medida que la cabeza y el torso se despegan del carro, estirar las piernas hacia el techo, luego bajar las piernas manteniendo la espalda sobre la estera, impulsar los brazos con la respiración



COORDINACIÓN, NIVEL 2

6 repeticiones

Resortes: 1 – 2

Barra: Ninguna

Bucles: Regulares

Reposacabeza: Arriba

Foco

- » **Respiración** – inhalar al iniciar, exhalar al extender, inhalar al abrir/cerrar, exhalar al regresar
- » **Pelvis estable** – fija o neutra
- » Abdominales hundidos
- » Fuerza abdominal
- » Fortalecimiento de los aductores
- » Hombros abajo
- » Cuello largo

Precauciones

Lesiones de espalda, lesiones de cuello, lesiones de los flexores de la cadera, se debe tener precaución en casos de osteoporosis.

Requisitos previos

Cien en estera o Reformer

Posición inicial

En posición supina sobre el carro, rodillas a 90 grados, manos en los bucles con los codos inclinados a 90 grados y parte superior de los brazos sobre el carro

Ejercicio estándar

Extender los brazos hacia los laterales a medida que se elevan la cabeza y el torso despegándolos del carro hacia la posición Cien, abrir y cerrar las piernas, flexionar las rodillas primero, luego bajar la cabeza y regresar los brazos a la posición inicial



ABDOMINALES INVERSOS, NIVEL 4

10 repeticiones

Resortes: 1 – 2

Barra: Ninguna

Bucles: Regulares

Foco

- » **Respiración** - exhalar al empujar las rodillas hacia adentro, inhalar al aflojar
- » Fuerza abdominal
- » Fuerza de iliopsoas
- » Coordinación de iliopsoas y abdominales
- » Columna fija
- » Hombros abajo
- » Cuello largo

Precauciones

Lesiones de espalda, lesiones de cuello, lesiones de los flexores de la cadera, osteoporosis

Requisitos previos

Rodar hacia arriba en la estera, abdominales fuertes, capacidad de mantener la columna fija

Posición inicial

En posición supina frente a las cuerdas con la columna fija, rodillas flexionadas a 90 grados, bucles alrededor de las rodillas, cabeza sostenida con las manos, codos hacia afuera

Ejercicio estándar

Mantener la columna fija, ahuecar los abdominales y empujar las rodillas sobre 90 grados a la vez que se flexiona el torso y se levanta la cabeza del reposacabeza, regresar las piernas a la posición inicial manteniendo la columna fija

Variación oblicua

Rotar el torso hacia la derecha, llegar con mano izquierda hacia la rodilla derecha, flexionar las rodillas empujándolas hacia el pecho a medida que el brazo cruza (Repetir 4 – 8 veces de un lado y cambiar de lado)



ABDOMINALES EN POSICIÓN DE RODILLAS, NIVEL 1-2

10 repeticiones

Resortes: 0 – 2

Barra: Ninguna

Bucles: Ninguno

Foco

- » **Respiración** – Exhalar al flexionar las rodillas hacia arriba/
inhalar al regresar a la posición inicial
- » Estabilidad pelviana
- » Fuerza abdominal
- » Estabilidad pelviana
- » Estabilidad escapular

Precaución

Problemas de hombros, codos y muñecas, imposibilidad de arrodillarse

Requisitos previos

Sobre la estera, en cuatro patas (abdominales de gata preñada)

Posición inicial

Colocarse en cuatro patas frente a las correas, con las maños sobre los bordes del marco

Ejercicio estándar (con la espalda plana)

Frente a las correas, con las rodillas contra los apoyos para hombros, manteniendo la columna neutra y paralela al piso, empujar el carro hacia la cabeza realizando una flexión a la altura de la cadera

Variación – Oblicuo 1

Colocar ambas manos sobre uno de los marcos, permitiendo que el torso se incline hacia un lado y rotar manteniendo las caderas dentro del cuadrado lo más que sea posible, empujar ambas piernas aumentando el movimiento del torso

Variación – Una sola pierna 1

Levantar una pierna del carro y colocar la rodilla detrás del muslo contrario, y manteniendo los hombros dentro del cuadrado lo más que sea posible, empujar una pierna manteniendo la espalda en posición neutra



Posición inicial, frente a las correas



Con la espalda plana



Oblicuo 1

IES EN LAS CORREAS, NIVEL 1

6 repeticiones

Preparación: 2 resortes

Barra: Cualquiera

Bucles: Regulares

Foco

- » **Respiración** - exhalar hacia afuera/inhalar hacia adentro o inhalar hacia afuera/exhalar hacia adentro
- » Columna sobre la estera o columna neutra
- » Abdominales hundidos
- » Fuerza abdominal
- » Estabilidad pelviana
- » Fortalecimiento de los tendones, aductores y glúteos
- » Flexibilidad de los tendones y aductores
- » Alineación de piernas y caderas
- » Rango de movimiento de la cadera

Precauciones

Lesiones de los flexores de la cadera, flexibilidad limitada de los tendones, lesiones de espalda, abdominales débiles

Requisitos previos

Adecuada flexibilidad de los tendones, capacidad para estabilizar la espalda, Cien

Posición inicial

Posición supina sobre el carro, bucles alrededor de los empeines

Bajar la pierna

Caderas estables, comenzar con los muslos internos juntos, bajar y subir las piernas

Variaciones: Piernas paralelas, aro Mágico o pelota entre las piernas

Tijeras

Caderas estables, comenzar con los muslos internos juntos, abrir las piernas hacia los lados y regresar

Variaciones: Las piernas permanecen sobre las caderas, las piernas se mueven hacia abajo en dirección a la barra a medida que el carro se mueve (V's)

Aros

Caderas estables, comenzar con los muslos internos juntos, moviendo las piernas hacia abajo y formando círculos o D, en direcciones inversas. Variaciones: Piernas paralelas, rotadas hacia afuera o hacia adentro, o rodillas en las correas



CAJA LARGA - EJERCICIOS DE BRAZOS, NIVEL 1

4 – 8 repeticiones

Resortes: 1 - 2 resortes

Caja: Larga

Bucles: Regulares

Barra: Baja o sin barra

Foco

- » **Respiración** – inhalar al empujar, exhalar al aflojar
- » Huesos de la cadera sobre la estera
- » Abdominales hundidos
- » Tríceps, latísimo, fortalecimiento de las partes superior e inferior de la espalda
- » Cabeza en línea
- » Ubicación de la escápula
- » Alineación de las piernas y el torso

Precauciones

Lesiones de hombro, codo y muñeca, algunos problemas de espalda

Requisitos previos

- » Capacidad para recostarse boca abajo
- » Correas para tirar (Niveles 1)

Posición inicial

Recostarse boca abajo en la caja larga con el pecho alejado del borde frontal de la caja, barra de pies hacia abajo, frente a las cuerdas, tomar las cuerdas.

Brazos abajo

Tirar de las cuerdas hacia las caderas a lo largo del borde del carro

Brazos abiertos hacia los lados

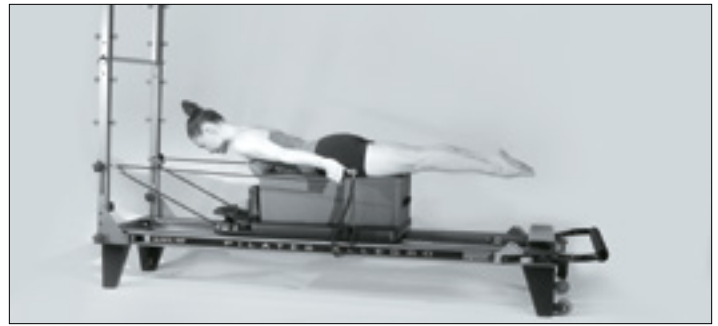
Tirar de las cuerdas hacia las caderas con los brazos extendidos hacia afuera

Espalda superior levantada

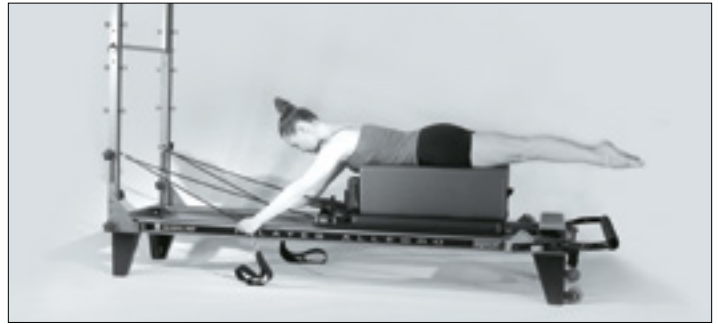
Tirar de las cuerdas a lo largo del borde del carro y elevar la parte superior de la espalda

Presionar los tríceps

Tirar de las cuerdas hacia las caderas a lo largo del borde del carro, manteniendo los codos en su lugar, flexionar y extender el codo



Correas para tirar



Tirando de las correas con la parte superior de la espalda levantada

COBRA (NIVEL 2)

Posición inicial

- » Recostado boca abajo sobre la caja larga, cara hacia la barra de pies baja o media, manos sobre la barra.
- » Presionar hacia afuera para estirar los brazos, presionar hacia abajo sobre la barra para extender la espalda, presionar el torso para volver a la posición plana, doblar los codos.



Cobra

CAJA CORTA - ABDOMINALES, TODOS LOS NIVELES

6 repeticiones

Resortes: 4 - 5

Caja: Corta

Correa: Correa de pies

Tubo en las manos

Foco

- » **Respiración** – inhalar hacia abajo/exhalar hacia atrás o exhalar hacia abajo/inhalar hacia atrás
- » Fortalecimiento abdominal
- » Ahuecamiento abdominal
- » Fortalecimiento de la espalda
- » Flexibilidad de la espalda

Precauciones

Lesiones de espalda, cuello y hombros, osteoporosis

Requisitos previos

Chariot en Reformer, Giros hacia atrás en Cadillac

Posición inicial

Sentado sobre la caja corta, frente a la barra de pies, pies debajo de la correa de pies, rodillas levemente flexionadas

Ejercicio estándar

Rodar hacia abajo con una curva larga y rodar nuevamente hacia arriba

Variación oblicua

Rodar hacia abajo con una curva larga, rotar el torso hacia cada lado, volver a rodar hacia arriba



LEVANTAMIENTO DE LA PELVIS, NIVEL 2

6 repeticiones

Resortes: 2 - 3

Reposacabeza: Abajo

Foco

- » **Respiración** – exhalar hacia arriba, inhalar hacia atrás, exhalar hacia adentro, inhalar al rodar hacia abajo
- » Fortalecimiento de tendones y glúteos
- » Ahuecamiento abdominal
- » Estabilidad pelviana
- » Movilidad de la columna

Precauciones

Problemas de espalda, flexión limitada de las rodillas, limitación para girar hacia arriba debido a problemas cervicales

Requisitos previos

Presión pelviana en estera

Posición inicial

Recostado en posición supina, bola de los pies o talones sobre la barra, piernas paralelas o pies en V y caderas rotadas hacia afuera

Ejercicio estándar

Rotar la pelvis hacia arriba fuera del carro, empujar hacia atrás, manteniendo las caderas al mismo nivel, traer el carro, rotar hacia abajo

Posiciones de las piernas

- » Piernas paralelas, talones debajo de los isquiones
- » Piernas paralelas y muslos internos juntos
- » Piernas en V de Pilates con los talones juntos
- » Marcos de los talones separados y cadera hacia afuera.



»



EJERCICIOS DE BRAZOS, NIVEL 1 - 2

4 - 10 repeticiones

Resortes: 1-2

Caja: larga, corta o ninguna

Bucles: muy cortos, cortos o regulares

Foco

- » **Respiración** – inhalar al empujar/exhalar al aflojar
- » Fortalecimiento de bíceps, tríceps, pectorales y deltoides
- » Estabilización escapular
- » Estabilización del torso
- » Postura sentada

Precauciones

Problemas de muñeca, brazo u hombro, problemas de espalda y capacidad limitada para sentarse

Requisitos previos

- » Ninguno
- » Variaciones en posición sentada para todos los ejercicios
- » Sentado sobre el carro, con las piernas cruzadas, las piernas estiradas o de rodillas

Ejercicios frente a las correas

- » **Bíceps:** Sosteniendo bucles muy cortos con las manos, flexionar los codos para tirar de las correas hacia los hombros.
- » **Tríceps/deltoide posterior:** Bucles en las manos, brazos estirados, tirar de las correas hacia atrás a nivel de las caderas y llevar los brazos hacia atrás

Ejercicios de frente a barra de pies

- » **Servir una bandeja:** Sentado frente a la barra de pies, con bucles regulares en las manos, codos flexionados, ir hacia adelante, estirar los brazos, abrir los brazos con las palmas de las manos hacia arriba y regresar
- » **Abrazar un árbol:** Sentado frente a la barra de pies, con bucles regulares en las manos, brazos abiertos hacia los costados, codos flojos, llevar la punta de los dedos para juntarlas



Bíceps



Tríceps



Servir una bandeja



Abrazar un árbol



DE PIE, NIVEL 1 - 3

8 repeticiones

Resortes: 0 - 1 resorte

Plataforma para posición de pie

Foco

- » **Respiración** – exhalar hacia afuera, inhalar hacia adentro
- » Fortalecimiento de aductores y de abductores
- » Ahuecamiento abdominal
- » Alineación de pie
- » Equilibrio

Precauciones

Problemas de equilibrio

Requisitos previos

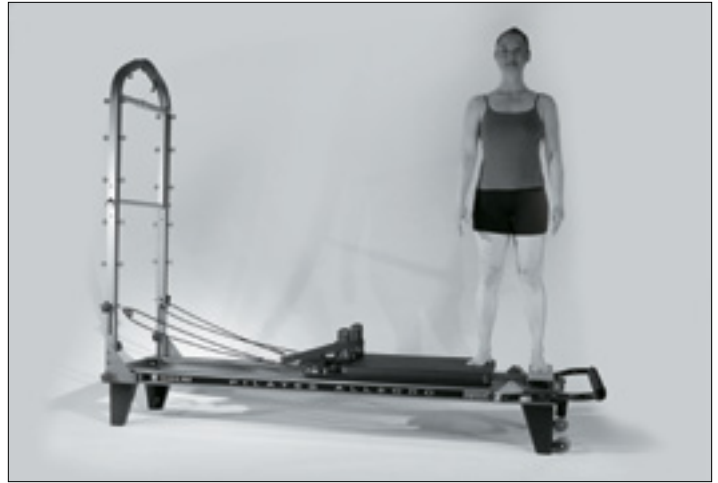
Ninguno

Posición inicial

De pie, con un pie sobre el marco o la plataforma para posición de pie, y el otro sobre el carro. De frente hacia el lado de la sala, paralelo al lateral del Allegro. Colocar el primer pie sobre el marco y el otro sobre el carro.

Ejercicio estándar

- » Estirar las piernas, abrirlas y cerrarlas
- » De frente hacia los laterales del Reformer
- » **Variaciones de posiciones de las piernas**
Piernas estiradas, paralelas, giradas hacia afuera
- » Piernas flexionadas, paralelas, giradas hacia afuera



Ejercicios en el Allegro® Tower

Definición de los términos de preparación para el ejercicio

- » **Nivel:** El nivel de experiencia necesario para realizar el ejercicio.
- » **Repeticiones:** Cuántas veces se realiza el ejercicio.
- » **Resortes:** Número y ubicación de los muelles en la mesa trapecio.
- » **Bucles:** Qué bucles deben usarse durante el ejercicio.*
- » **Foco:** En qué se debe hacer hincapié durante el ejercicio.
- » **Precauciones:** Condiciones físicas que pueden limitar o excluir a un participante. Puede resultar necesario modificar los ejercicios para las personas que presentan dichas condiciones.
- » **Requisitos previos:** Ejercicios específicos que deben dominarse antes de comenzar un nuevo ejercicio.
- » **Posición inicial:** Dónde comenzar el ejercicio en el Reformer.

*Si corresponde

RODAR HACIA ATRÁS, NIVEL 1

6-10 Repeticiones

Resortes: 2 resortes amarillos largos o 2 amarillos cortos desde la posición alta

Barra o mangos de rodamiento hacia atrás

Foco

- » **Respiración** – exhalar al rodar hacia abajo, inhalar abajo, exhalar al rodar hacia arriba
- » Equilibrio entre los extensores abdominales y lumbares
- » Cuello y hombros flojos
- » Mantener la curva C
- » Flexores de la columna flojos

Precauciones

Problemas de hombros y cuello, algunos problemas lumbares, osteoporosis

Posición inicial

Sentarse frente al extremo abierto de la Cadillac, sosteniéndose con la barra o los mangos, rodillas flojas, pies sobre las barras metálicas.

Ejercicio estándar

Sostener la barra con los brazos estirados, rodar hacia abajo, curvando la espalda y manteniéndose de pie, rodar hacia atrás manteniendo una leve flexión de la columna

Variaciones oblicuas

- » Barra de madera (Ski acuático)
- » Sentarse en diagonal sobre la mesa, colocar el pie izquierdo contra el tubo, cruzar el pie derecho sobre el tobillo, colocar la mano izquierda sobre la barra y extender el brazo derecho a la vez que rota el torso hacia la derecha.
- » Girar hacia abajo manteniendo la rotación, luego cambiar de lado.



Rodar hacia atrás



Ski acuático

PIES EN LAS CORREAS, NIVEL 1

6-10 repeticiones

Resortes: Resortes largos desde la posición media, alta o superior

Bucles o Velcro alrededor del tobillo o el empeine

Foco

- » **Respiración** - exhalar hacia afuera/inhalar hacia adentro o inhalar hacia afuera/exhalar hacia adentro
- » Columna neutra
- » Abdominales hundidos
- » Estabilidad pelviana
- » Fortalecimiento de los tendones, aductores y glúteos
- » Flexibilidad de los tendones y aductores
- » Alineación de piernas

Precauciones

Lesiones de espalda, algunas lesiones de rodilla y esguinces de tendones

Posición inicial

Acuéstese en posición supina con la cabeza hacia el Half Trapeze con los bucles alrededor de los arcos

Bajar la pierna

- » Ambas piernas en correas de Velcro o bucles y muslos internos juntos, antepierna hacia la tabla y mantener la estabilidad pelviana.
- » **Variaciones:** Paralelas, giradas hacia afuera, giradas hacia adentro, sosteniendo una pelota o un aro mágico entre las piernas

Aros

- » Con ambas piernas en los bucles, haga círculos con las piernas en ambas direcciones, manteniendo la pelvis estable.
- » **Variaciones:** paralelas, giradas hacia afuera, giradas hacia adentro

Tijeras

- » Con ambas piernas en los bucles, baje las piernas hacia la mesa y luego abra y cierre las piernas y mantenga la pelvis estable.
- » **Variaciones:** paralelas, giradas hacia afuera, giradas hacia adentro

Caminando

- » Con ambas piernas en los bucles, baje alternativamente una pierna hacia la mesa y luego la otra, manteniendo la pelvis estable..
- » **Variaciones:** paralelas, giradas hacia afuera, giradas hacia adentro



Bajar la pierna



Aros



Caminando (resortes en posición media)



Walking (resortes en posición superior)

PIES EN LAS CORREAS Y ACOSTADO DE LADO
- TIRO ADUCTOR, NIVEL 1-3

6-10 repeticiones

Resortes: Resortes largos desde la posición media

Bucles alrededor de los arcos

Parte inferior de la pierna debajo de la correa de la Mesa Trapecio

Foco

- » **Respiración** - exhalar hacia abajo/inhalar hacia arriba
- » Posición recostado de lado correcta (cintura arriba, caderas y hombros en línea)
- » Abdominales hundidos
- » Estabilidad pelviana y aislamiento de la pierna de la pelvis
- » Fortalecimiento de aductores, tendones medios y rotación externa

Precauciones

Algunas lesiones de espalda, lesiones de rodilla y articulaciones sacro ilíacas inestables

Posición inicial

- » Acuéstese de lado en el Allegro Tower con la parte posterior del cuerpo en línea con el borde posterior de la estera y las piernas ligeramente hacia el frente.
- » Sostener el cuerpo colocando el antebrazo contra el tubo vertical o apoyando la cabeza sobre el brazo.
- » Coloque el bucle alrededor del arco

Ejercicio estándar

- » Tire de la parte superior de la pierna hacia abajo hacia la parte inferior de la pierna.
- » Mantenga la posición correcta acostado de lado.
- » Variaciones: paralelas, giradas hacia afuera (mayor rango de movimiento), giradas hacia adentro.

Óvalos

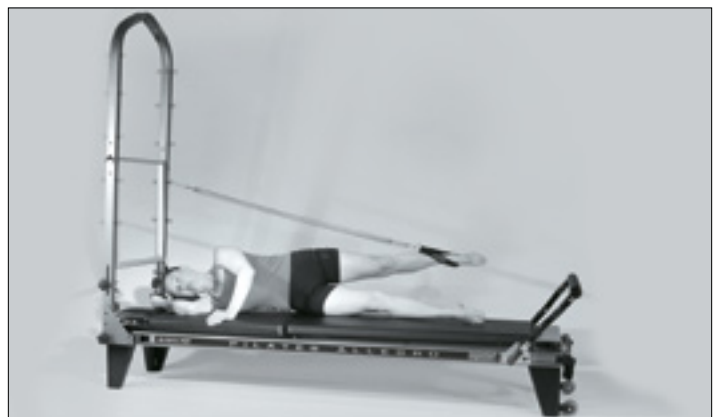
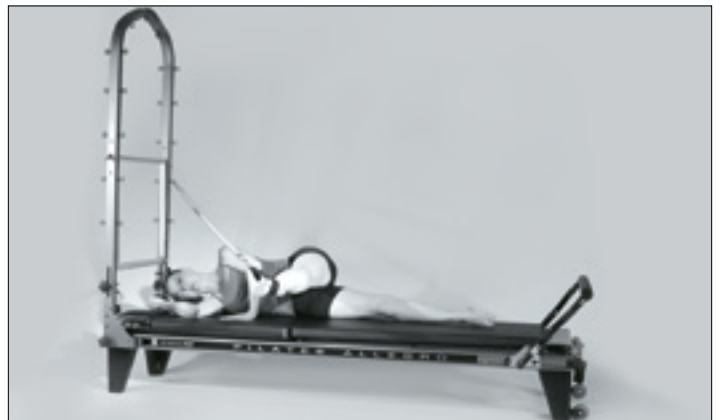
- » Mantener la alineación correcta, mover la parte superior de la pierna realizando un pequeño círculo en ambas direcciones.
- » **Variaciones:** paralelas, giradas hacia afuera, giradas hacia adentro

Patada hacia el frente y hacia atrás

- » Manteniendo la alineación correcta, balancear la parte superior de la pierna hacia adelante y hacia atrás (como en la Patada Lateral en la estera).
- » **Variaciones:** paralelas, giradas hacia afuera, giradas hacia adentro



Tirar de los aductores



Patada hacia el frente y hacia atrás

EJERCICIOS DE PIES Y PIERNAS, NIVEL 1

10 repeticiones

Resortes: 2 resortes morados largos desde la parte inferior en la Barra de Empuje

Correa de seguridad colocada

1 o 2 resortes cortos desde la parte superior para Dorsiflexión

Foco

- » **Respiración** – inhalar al empujar, exhalar al regresar
- » Columna sobre la estera o columna neutra
- » Alineación de pierna, tobillo y pie
- » Flexibilidad de pantorrilla y tendón
- » Fuerza de pie, tobillo y parte inferior de la pierna

Precauciones

Lesiones de espalda, lesiones de rodilla

Posición inicial

Acuéstese en posición supina en el Allegro Tower con los pies en la Barra de Empuje y los resortes fijados desde la posición baja hacia la Barra de Empuje

Pliegues

- » Recostarse en posición supina con la Barra de Empuje en línea con el pliegue anterior de la cadera, flexionar las rodillas, flexionar las caderas, con los metatarsos o los talones sobre la barra, estirar las piernas y regresar.

- » **Variaciones de la posición de los pies:** Talones, Dedos de los pies

- » **Variaciones de piernas:** Paralelas, giradas hacia afuera, pies en V, Zaposición amplia, una sola pierna

Pliegue /Releve

- » Recostarse en posición supina con la Barra de Empuje en línea con el pliegue anterior de la cadera, caderas flexionadas, rodillas dobladas, metatarsos o dedos de los pies sobre la barra.

- » Empujar la barra hacia arriba en dirección al techo, estirando la rodilla, realizando una flexión plantar del tobillo, una dorsiflexión del tobillo y regresar.

- » **Variaciones:** Paralelas, giradas hacia afuera, una sola pierna

Flexión plantar

- » Recostado en posición supina con la Barra de Empuje en línea con el pliegue anterior de la cadera, piernas estiradas, metatarsos o dedos de los pies sobre la barra, realizar flexiones plantares y dorsiflexiones con los tobillos.

- » **Variaciones:** Paralelas, giradas hacia afuera, una sola pierna, corriendo en el lugar



Pliegues



Flexión plantar



Flexión plantar

EMPUJE SENTADO, NIVEL 1

6 repeticiones

Resortes: 1 resorte rojo corto desde la parte superior en la Barra de Empuje

Foco

- » **Respiración** – exhalar al estirar hacia adelante, inhalar al estirar hacia arriba o inversamente
- » Flexión y extensión de la columna
- » Flexibilidad de los tendones
- » Estabilidad/movilidad de escápulas
- » Ahuecamiento y levantamiento abdominal
- » Coordinación de la respiración con la movilidad de la columna

Precauciones

Algunas lesiones de espalda, lesiones de hombro

Requisitos previos

Estiramiento de la columna en la estera

Posición inicial

Sentarse sobre la mesa frente al extremo de la torre, con los pies contra las barras verticales, y ambas manos sobre la Barra de Empuje (las rodillas pueden estar flexionadas o estiradas, según la flexibilidad del usuario).

Ejercicio estándar

- » Empujar con la barra hacia abajo, encorvar la columna hacia adelante, comenzando con la parte superior de la cabeza, llegar hasta la barra y estirar.
- » Regresar desahuecando los abdominales y apilando una vértebra sobre otra hasta sentarse sobre los isquiones.
- » Empujar con la barra hacia arriba y reclinarse hacia adelante desde las caderas, con la espalda plana antes de comenzar nuevamente



GATO, NIVEL 3

4 repeticiones

Resortes: 2 resortes cortos desde arriba de la Barra de Empuje

Foco

- » **Respiración** – exhalar al rodar hacia abajo, inhalar para extender, exhalar al empujar hacia atrás, inhalar para desencorvar.
- » Flexibilidad de la columna
- » Estabilidad/movilidad de escápulas
- » Ahuecamiento y levantamiento abdominal
- » Coordinación de la respiración con la movilidad total de la columna

Precauciones

Lesiones de espalda, lesiones de hombro, lesiones de rodilla y osteoporosis

Requisitos previos

Estiramiento del gato/camello en la estera

Posición inicial

De rodillas sobre la mesa, manos sobre la Barra de Empuje con la barra cerca del cuerpo.

Ejercicio estándar

- » Bajar la barra y rodar la columna hacia abajo, comenzando con la parte superior de la cabeza.
- » Alejar la barra a medida que se elonga la columna hasta lograr la extensión.
- » Regresar metiendo hacia adentro los abdominales y encorvando la espalda hasta lograr la flexión antes de apilar una vértebra sobre otra para regresar a la posición inicial. (Mantener las caderas apretadas hacia adelante sobre las rodillas todo lo que se pueda.)



SIERRA CIRCULAR, NIVEL 2

4 repeticiones

Resortes: 2 resortes amarillos cortos desde la parte superior en la Barra de Empuje

Foco

- » **Respiración** – exhalar al estirar, inhalar al realizar círculos hacia afuera, exhalar al extender, inhalar al realizar círculos hacia adentro
- » Flexibilidad de la columna en rotación
- » Estabilidad/movilidad de escápulas
- » Ahuecamiento y levantamiento abdominal
- » Coordinación de la respiración con la movilidad total de la columna

Precauciones

Algunas lesiones de espalda, lesiones de hombro

Requisitos previos

Estera - Sierra

Posición inicial

Sentado sobre la mesa frente al extremo de la Torre, con los pies contra las barras verticales, la mano derecha empuja sobre la Barra de Empuje, la mano izquierda trate de llegar al pie derecho.

Ejercicio estándar

Mover la mano izquierda en dirección al pie izquierdo y continuar realizando círculos con el brazo, hacia afuera y alrededor, permitiendo que el torso se recueste a la vez que se mantiene el levantamiento abdominal y la integridad del torso hasta que la mano izquierda se extienda sobre el brazo derecho en dirección al pie derecho.

Invertir el círculo

Hacer cuatro repeticiones con cada brazo, mantener los isquiones fijos para una mayor estabilidad pelviana (o aflojar levemente uno para aumentar el estiramiento).



DOS BRAZOS, SENTADO, NIVEL 1-2

4-10 repeticiones

Resortes: 1 ó 2 resortes rojos cortos desde la posición alta en la Barra de Empuje

Espiga o palo acolchado

Foco

- » **Respiración** – exhalar al tirar, inhalar al aflojar o inhalar al tirar, exhalar al aflojar
- » Estabilidad y movilidad escapular
- » Hombros abajo
- » Ahuecamiento abdominal
- » Equilibrio sobre los isquiones

Precauciones

Lesiones de hombro, modificarlo en caso de aductores apretados

Posición inicial

Siéntese de horcajadas en la mesa de cara al Tower, con las manos en la Barra de Empuje, o siéntese con las piernas cruzadas dentro del bastidor de la Barra de Empuje. También puede pararse en el exterior del Allegro de cara al Tower

Empujes con el palo

- » Sostener la espiga o el palo acolchado lo más abiertos posible, con las palmas mirando hacia usted.
- » Empujar la barra hacia abajo, concentrándose en mantener el cuello blando y la parte superior de los hombros.
- » Regresar la barra a la posición inicial sin levantar los hombros.



Empujes con el palo

Balanced Body Allegro® Reformer Allegro® Tower System

QUESTO È UN DISPOSITIVO MEDICO.

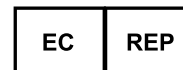
English: ab Seite 1
Spanisch: ab Seite 50
Italianisch: ab Seite 103
Französisch: ab Seite 156
Deutsch: ab Seite 206
Chinesisch: ab Seite 259



Dichiarazione di destinazione d'uso

Il dispositivo del Allegro® Reformer Allegro® Tower System è destinato dal produttore a essere utilizzato dalle persone per scopi di fisioterapia, di riabilitazione, di prevenzione, trattamento e sollievo da infortuni, di terapia di sostegno e funzionale per una disabilità o di rinforzo e miglioramento generali della mobilità del corpo umano. In caso di infortuni durante l'utilizzo, Rapporto al produttore e all'autorità competente dello Stato membro in cui è stabilito l'utilizzatore e / o il paziente

Per le istruzioni stampate contatta Balanced Body.



EMERGO EUROPE
Prinsessegracht 20
2514 AP The Hague
The Netherlands



IMPORTANTE:

Questo manuale è destinato a professionisti che operano nel settore del fitness e della riabilitazione o a persone con esperienza nell'uso di questo attrezzo. In caso di dubbi riguardo alla correttezza di un particolare movimento, consultare un professionista sanitario autorizzato.

Nota sulla sicurezza: Attenzione: Allegro contiene materiali infiammabili; tenere lontano da fonti di calore dirette/fiamme esposte.

INTRODUZIONE

Il sistema Allegro è stato progettato per combinare le funzioni dell'Allegro Reformer e della Tower o dell'Half Trapeze in un unico attrezzo Pilates compatto e mobile. L'Allegro Tower può essere installata su qualsiasi Allegro e consente di svolgere ulteriori esercizi senza aumentare l'ingombro. Questo manuale fornisce una descrizione delle caratteristiche dell'Allegro Reformer e dell'Allegro Tower e degli esercizi consigliati.

Balanced Body è l'azienda leader a livello mondiale per gli attrezzi, l'istruzione e l'informazione sul metodo Pilates. Lo Studio Reformer di Balanced Body è il Reformer più venduto nel mondo e l'Allegro Reformer detta gli standard Pilates per le palestre di fitness e per le strutture riabilitative di tutto il mondo.

CONSIGLI DI CONFIGURAZIONE (LEGGERE SUBITO)

- » Per configurare un Allegro Reformer con il kit senza gambe, leggere le presenti istruzioni Reformer.
- » Per configurare un Allegro Reformer con il kit con gambe, installare prima le gambe, quindi configurare il Reformer.
- » Per configurare un Allegro Reformer con un Tower System e il kit senza gambe, seguire queste istruzioni per il Reformer e le istruzioni riportate nella sezione Tower System.
- » Per configurare un Allegro Reformer con un Tower System e il kit gambe, installare prima il kit gambe e poi la Tower. Per risparmiare tempo, non reinstallare le piastre di copertura delle guide sul lato testa come riportato nelle istruzioni di installazione del kit gambe. Sarà necessario estrarle per installare la Tower.
- » Per configurare un Allegro Stretch Reformer, vedere pagina 120. Per le funzionalità della pedana di Allegro Stretch, vedere pagina 123.

Caratteristiche del Balanced Body® Allegro® System

POGGIATESTA

Il poggiatesta serve a sostenere in maniera ottimale la testa, il collo e le spalle quando si è in posizione supina. Il poggiatesta dell'Allegro può essere regolato in tre diverse posizioni mediante un blocco di sostegno posto sotto il poggiatesta:

- » **Posizione bassa (piana):** il blocco di sostegno è piegato verso la parte superiore del poggiatesta. Questa posizione è indicata per persone con colonna toracica relativamente piatta e gabbia toracica poco profonda negli esercizi per le gambe e i piedi e per qualsiasi esercizio in posizione supina.
- » **Nota sulla sicurezza: la posizione piana del poggiatesta è indicata quando si eseguono esercizi di rotolamento sulle spalle. Il poggiatesta in posizione piana previene infatti l'eccessiva flessione della colonna cervicale e le lesioni al collo.**
- » **Posizione intermedia:** il blocco di sostegno è posizionato nella tacca centrale.
- » **Posizione alta (verticale):** la base del blocco di sostegno poggia sul carrello. Questa posizione è indicata per le persone con traslazione anteriore della testa o gabbia toracica profonda, per facilitare il corretto allineamento.

Nota per l'istruttore: per regolare l'altezza della testa si potrà utilizzare un asciugamano in aggiunta o in sostituzione al poggiatesta.

MANOPOLE DI BLOCCAGGIO DEI PISTONI, FACILI DA USARE

Allegro® Reformer, Clinical Reformer® e Studio Reformer® di Balanced Body, con barre poggiapiedi Infinity, sono dotati di manopole di bloccaggio dei pistoni, che consentono, in maniera molto più agevole, la regolazione e il movimento della barra poggiapiedi lungo il telaio.

Per utilizzare il meccanismo, tirare la manopola del pistone verso l'esterno, in modo tale che il perno trasversale incassato venga fuori dagli alloggi, così come mostrato nella figura A. A questo punto, ruotare la manopola, in modo tale che il perno trasversale poggia sulla testa del bullone, così come mostrato nella figura B. Ripetere l'operazione dall'altro lato."

Con le manopole in posizione di "bloccaggio", ricollocare la barra poggiapiedi lungo il telaio del Reformer, all'altezza desiderata. Successivamente, ruotare le manopole, in modo tale che il perno trasversale venga di nuovo incassato, bloccando saldamente la barra poggiapiedi nella sua nuova posizione.

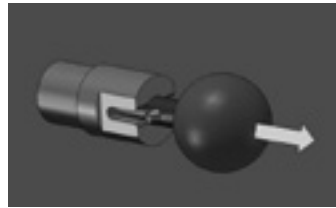


Figura A

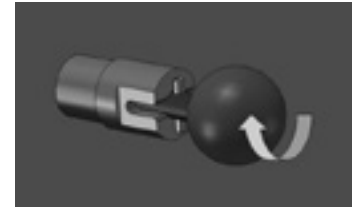


Figura B

REGOLAZIONE ORIZZONTALE DELLA BARRA POGGIAPIEDI

L'Allegro è dotato di una barra poggiapiedi regolabile che può essere spostata al fine di soddisfare le esigenze di persone di diversa statura. Per spostare la barra, tirare verso l'esterno i pomelli neri alla base della barra poggiapiedi e ruotare di 90 gradi per sbloccarli. Spostare la barra in avanti o indietro fino a quando non sarà in linea con il foro desiderato presente sulla guida. Ruotare il pomello finché il perno si inserisce in un foro. Assicurarsi che il foro sia completamente impegnato.

- » Il **foro 1** è quello più vicino al lato piedi del Reformer e consente di ottenere la distanza massima tra il poggiaspalle e la barra poggiapiedi. È indicato per persone alte (oltre 1,83) o quando si desidera una minore flessione delle ginocchia e delle anche.
- » Il **foro 2** è indicato per persone di statura compresa tra 1,75 m e 1,83 m
- » Il **foro 3** è indicato per persone di statura compresa tra 1,65 m e 1,75 m
- » Il **foro 4** è indicato per persone di statura compresa tra 1,47 m e 1,65 m

I fori di riferimento per le diverse stature sono puramente indicativi. Le regolazioni della barra poggiapiedi dovrebbero consentire una flessione delle anche di poco inferiore a 90° quando il carrello è completamente in avanti per lo svolgimento degli esercizi per le gambe e i piedi.

REGOLAZIONE VERTICALE DELLA BARRA POGGIAPIEDI

Per regolare verticalmente la barra poggiapiedi, premere la levetta posta alla base della barra fino a far uscire il perno dalla piastra. Spostare la barra poggiapiedi all'altezza desiderata e rilasciare il perno nel foro.

- » **Barra in posizione alta:** spostare il perno nel foro più alto e rilasciare la levetta. Questa posizione accorcia lo spazio tra i poggiaspalle e la barra poggiapiedi. È indicata quando si eseguono esercizi per le gambe e i piedi e per persone che hanno difficoltà a mantenere la schiena in posizione a causa di un'eccessiva lordosi lombare o di una schiena rigida.

- » **Barra in posizione media:** posizionare il perno nel secondo foro rispetto alla parte alta della piastra. La posizione intermedia allunga lo spazio tra i poggiaspalle e la barra poggiapiedi. Questo riduce la flessione delle ginocchia durante gli esercizi per le gambe e i piedi e pone il torso in posizione eretta neutra.
- » **Barra in posizione bassa:** posizionare il perno nel terzo foro della piastra. La posizione bassa della barra aumenta lo spazio tra i poggiaspalle e la barra poggiapiedi fino alla distanza massima. Questo riduce la flessione delle ginocchia negli esercizi per le gambe e i piedi, la flessione del torso e delle anche negli esercizi "elephant" e può essere utile per le persone alte e con una maggiore flessibilità.
- » **Utilizzo senza barra:** posizionare il perno nel foro più basso della piastra. Questa posizione serve a rimuovere la barra per poter eseguire esercizi in posizione eretta o in posizione sdraiata sul box.
- » 2 molle (resistenza da leggera a moderata): indicate negli esercizi per le braccia e le gambe e negli esercizi in cui il carrello offre sostegno.
- » 2 – 4 molle (resistenza da moderata a elevata): indicate principalmente negli esercizi per le gambe e per persone particolarmente forti che desiderano aumentare la propria resistenza.
- » Tutte le molle: indicate per aumentare al massimo la resistenza o per stabilizzare il carrello nelle serie di addominali eseguite con il box corto.
- » Nessuna molla: aumenta la difficoltà degli esercizi in cui è necessario controllare il carrello (addominali in ginocchio, esercizi "elephant", serie prolungata di stretching).

REGOLAZIONE DELLE MOLLE

Le molle servono a regolare la resistenza nei diversi esercizi. L'Allegro consente di impostare almeno 30 diverse resistenze. Per ciascun esercizio sono indicati gli intervalli dei pesi consigliati.

CAMBIAMENTO DEI PUNTI DI ATTACCO DELLE MOLLE

Sull'Allegro, la tensione esercitata dalle molle viene regolata attaccando diverse combinazioni di molle ai ganci presenti sotto la piattaforma verticale. Per regolare in sicurezza le molle, assicurarsi che il carrello sia nella posizione iniziale.

- » **Posizione normale:** agganciare la molla sul gancio direttamente di fronte. In questa posizione le molle non sono in tensione. Questa posizione è detta posizione "B". Vi sono cinque posizioni B.
- » **Posizione pre-carico:** posizionare la molla nel gancio più vicino a sinistra o a destra, sotto la piattaforma verticale. Questa posizione darà alle molle una leggera tensione e ne aumenterà la resistenza. Questa posizione è detta posizione "A". Vi sono sei posizioni A.

RESISTENZA DELLE MOLLE

La resistenza è indicata dal numero approssimativo di molle consigliato per un determinato esercizio. La resistenza indicata è da considerarsi come posizione di partenza consigliata. In base alle esigenze specifiche e del singolo esercizio, è possibile effettuare regolazioni personalizzate.

- » 1 molla (resistenza leggera): indicata principalmente negli esercizi per le braccia o quando il carrello offre poco sostegno.

PROGRESSIONI DELLE MOLLE PER L'ALLEGRO

Ricordare che queste combinazioni delle molle rappresentano la progressione tipica per una macchina standard nuova e possono variare leggermente secondo l'età e la resistenza specifica delle molle. Il modo migliore di trovare la progressione ottimale per la propria macchina è provare in prima persona.

CODICE COLORE DELLE MOLLE

I seguenti codici colore sono standard per tutte le macchine Balanced Body

Giallo: resistenza molto leggera Blu: resistenza leggera

Rosso: resistenza media Verde: resistenza elevata

CORDE E ASOLE

Le corde possono essere regolate a seconda delle esigenze specifiche dell'esercizio e della taglia della persona che utilizza l'attrezzo. Per evitare di dover continuamente regolare le corde, vengono utilizzate delle cinghie a doppia asola che consentono di avere le corde a due diverse lunghezze.

Il manuale presenta le seguenti regolazioni delle corde:

- » Asole regolari: la resistenza dell'asola o dell'impugnatura crea una certa tensione sui poggiaspalle. Con le cinghie a doppia asola, si impugna l'asola più lunga. Standard per la maggior parte degli esercizi.
- » Asole corte: la resistenza dell'asola o dell'impugnatura crea una certa tensione sui perni neri. Con le cinghie a doppia asola, si impugna l'asola più corta. Indicate per gli esercizi di rowing e per le braccia.

»

- » Asole molto corte: l'asola o l'impugnatura è circa 12 cm più corta del poggiatesta. Indicate per gli esercizi per le braccia in posizione rivolta verso le cinghie, come pettorali e stretching delle cosce.
- » Asole lunghe: l'asola o l'impugnatura è più lunga del poggiaspalle di tutta la lunghezza di un'asola di cotone. Indicate per gli esercizi di stretching prolungati della spina dorsale o nel caso di persone con tendini forti quando si eseguono esercizi con i piedi posizionati nelle asole.

MONTANTI

I montanti possono essere regolati allentando il pomello che tiene la puleggia nel taglio longitudinale sulla Tower e facendo scorrere la puleggia verso l'alto o verso il basso.

ALLEGRO TOWER

L'Allegro Tower è costituita da una struttura metallica che viene montata sulla testata dell'Allegro Reformer. Alla struttura sono fissati dei bulloni ad occhiello che servono da punti di aggancio delle molle. Alle molle possono essere agganciate asole, impugnature o una barra di legno Roll-down che consentono di eseguire un'ampia varietà di esercizi. L'Allegro Tower è inoltre dotata di una barra Push-through.

PUNTI DI AGGANCIO DELLE MOLLE

L'Allegro Tower dispone di 24 punti di aggancio delle molle che offrono un'ampia varietà di esercizi e regolazioni illimitate. Ciascun montante dispone di 5 bulloni ad occhiello sul lato anteriore e 5 sul lato posteriore, consentendo di eseguire gli esercizi da entrambi i lati della Tower. Due bulloni ad occhiello sono fissati al telaio dell'Allegro per consentire una posizione di aggancio più bassa, due bulloni ad occhiello si trovano ai lati dell'arco della Tower e uno al centro, nel punto più alto dell'arco. Questo bullone ad occhiello singolo serve a tenere in posizione la cinghia di sicurezza. **NON** usarlo per agganciarvi le molle. I punti più utilizzati per l'aggancio delle molle sono elencati di seguito e nella descrizione di ciascun esercizio.

Per adattare la resistenza delle molle a esigenze particolari, spostare il punto di aggancio più lontano dalla persona per una maggiore resistenza e più vicino per una minore resistenza.

Basso: le molle sono agganciate ai bulloni ad occhiello presenti nella parte inferiore del telaio dell'Allegro. Queste molle sono utilizzate per tenere la barra Push-through in posizione.

Centrale: le molle sono agganciate al terzo bullone ad occhiello dal basso.

Alto: le molle sono agganciate ai punti più alti su entrambi i lati dell'arco della Tower.

MOLLE DELL'ALLEGRO TOWER

L'Allegro Tower è dotata di 4 set di molle:

Set da 2: molle corte

Giallo: resistenza molto leggera Blu: resistenza leggera

Set da 2: molle lunghe

Giallo: resistenza molto leggera Viola: resistenza media

REGOLAZIONE DELLA BARRA PUSH-THROUGH

La barra Push-through ha tre possibili punti di articolazione sul telaio della Tower. Per regolare la barra Push-through, premere il pulsante che si trova sopra il perno a T per disimpegnare il perno stesso. Estrarre i perni dai montanti, spostare la barra nel foro desiderato e reinserire i perni. Riportare sempre la barra Push-through ad un'altezza di sicurezza qualora sia stata spostata.

NOTA SULLA SICUREZZA:

È molto importante che l'istruttore sia presente e assista il cliente ogniqualvolta viene utilizzata la barra Push-through. È molto importante che il punto di articolazione sia sufficientemente alto da passare al di sopra della testa della persona che si trova distesa sotto. Infatti, la barra potrebbe colpire la persona durante l'esecuzione degli esercizi nel caso in cui questa abbia una testa particolarmente grande, un'eccessiva cifosi toracica o un naso particolarmente pronunciato. La barra Push-through non dovrà mai trovarsi in una posizione così bassa da colpire la persona che vi si trova sotto. Usare sempre la cinghia di sicurezza quando la barra Push-through è articolata dal basso. La cinghia deve essere regolata in modo tale che l'angolo della barra Push-through, visto lateralmente, non sia minore di quello creato dalla lancetta dell'orologio quando indica le quattro o le otto, così da non colpire la persona qualora i piedi scivolino fuori dalla barra.

PULITURA E DISINFEZIONE DEL RIVESTIMENTO.

Il rivestimento delle imbottiture durerà più a lungo se sarà mantenuto pulito e se saranno rimossi polvere e residui di grasso e sudore. Dopo ogni utilizzo, pulire il rivestimento con una soluzione di acqua e sapone neutro. Risciacquare quindi con acqua pulita e asciugare con un panno.

Sicurezza al primo posto: una guida per una manutenzione accurata e un uso sicuro dell'attrezzatura di Pilates.

Per oltre 35 anni, Balanced Body ha introdotto innovazioni in fatto di sicurezza nelle attrezzature di Pilates. Molti dei nostri progressi sono ora diventati la norma nel settore, introducendo oggi nel Pilates attrezzature più sicure rispetto al passato.

La sicurezza dipende da una manutenzione idonea e da un uso sicuro, nonché dalla qualità dell'attrezzatura. Il presente manuale è stato creato per offrire una guida a un uso sicuro e a una manutenzione delle proprie attrezzature per una sicurezza ottimale. Si prega di leggere attentamente il presente manuale e conservarlo per consultazioni future. In caso di domande, contattate Balanced Body. **La mancata osservanza delle istruzioni contenute in questo manuale può causare lesioni gravi.**

TUTTA L'ATTREZZATURA

Molle

Il controllo delle molle è fondamentale per mantenere l'attrezzatura funzionante e sicura. Tutte le molle Balanced Body devono essere sostituite almeno ogni due anni. Determinati ambienti e utilizzi potrebbero ridurre la durata delle molle e potrebbe essere necessario sostituirle con maggiore frequenza. Pertanto, è molto importante controllare le molle regolarmente, poiché le molle usurate o vecchie perdono elasticità e potrebbero rompersi durante l'uso, causando lesioni personali.

Durante l'uso, non lasciare che le molle tornino in posizione in modo incontrollato, poiché tale movimento potrebbe danneggiarle e ridurre la durata.

Controllare che non vi siano spazi o crepe nelle molle (frequenza settimanale o mensile, a seconda della frequenza d'uso).

Controllare che non vi siano spazi e crepe fra le spire quando la molla è a riposo. Non è insolito notare degli spazi minimi sulle estremità affusolate (tale spazio, talvolta, viene creato durante la fabbricazione).

Tuttavia, non dovrebbero esservi spazi nel corpo delle molle, qualora ve ne siano, interrompere l'uso e sostituire immediatamente le molle. Vedere **figura 1**. Inoltre, segni di corrosione fra le spire potrebbero ridurre la durata della molla. Se durante l'ispezione si riscontra ruggine o ossidazione, interrompere immediatamente l'uso.

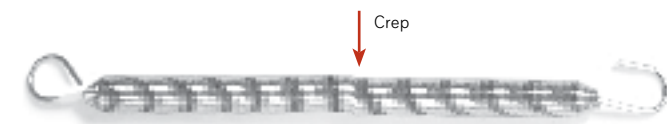


Figura 1

Moschettoni

Controllare che i moschettoni non presentino usura, con frequenza mensile. In primo luogo, verificare che il gancio del moschettone funzioni correttamente, se non si ritrae e ritorna in posizione correttamente, interrompere immediatamente l'uso delle molle e sostituire il moschettone. I golfari possono causare usura eccessiva sui ganci del moschettone.

Se il gancio presenta segni di usura, interrompere immediatamente l'uso della molla e contattare Balanced Body per sostituire la molla o il moschettone. Vedere **figura 2**.



Figura 2: Moschettone in buone condizioni: non presenta usura sul gancio.



Moschettone in cattive condizioni: usura eccessiva sul gancio.

BULLONI, DADI E BULLONI

Stringere tutti i bulloni e le viti con frequenza mensile. Verificare che i golfari, i dadi e le viti siano ben stretti. Consultare la sezione dal titolo "Come ispezionare e stringere dadi e bulloni".

CORDE E CINGHIE

Usura di corde e cinghie, frequenza trimestrale. Se si nota il nucleo della corda che spunta dalla parte esterna o se questa è appiattita, è necessario sostituire le corde. Le cinghie devono essere sostituite non appena si nota sfilacciamento. Accertarsi che le sezioni di corde o cinghie collegate al gancio passino attraverso le carrucole.

REFORMER

Controllare i ganci delle barre a molle e i golfari con frequenza trimestrale. Balanced Body produce due diversi sistemi di barre a molle:

» Barra a molle Revo. Accertarsi che i ganci delle barre a molle e le maniglie siano ben fissati.

Barra a molle Standard. Verificare che i dadi fissati ai ganci della barra a molle siano ben stretti. Consultare la sezione dal titolo "Come ispezionare e stringere dadi e bulloni".

Rotazione della molla, frequenza trimestrale. È possibile prolungare la durata delle molle del Reformer, ruotando le molle dello stesso peso con cadenza trimestrale. Sganciarle e spostarle in una posizione diversa sulla barra a molle. Ruotando le molle si distribuisce uniformemente l'usura.

Montante esterno. I montanti in legno devono essere installati all'esterno del telaio. I montanti possono allentarsi con il tempo, pertanto accertarsi sempre che siano ben fissati.

Molle agganciate verso il basso del carrello. Accertarsi che le molle siano agganciate verso il basso. Vedere **figura 3**.



Figura 3: molle fissate verso il basso.

Assicurare il carrello. Quando non si utilizza il Reformer, accertarsi che almeno due molle siano ben strette il carrello della barra a molle.

Impostazioni predefinite. Molti utenti dispongono di "impostazioni predefinite" per i Reformer. Alla fine della sessione, collegare un numero predefinito di molle in posizione neutrale, impostare la barra poggia piedi a un'altezza predefinita e le corde a una lunghezza specifica. In questo modo si prepara l'attrezzatura per il prossimo e si fa in modo che il carrello sia assicurato dalle molle.

Cinghia per i piedi in tensione nel lavoro nel box. Quando si utilizza la cinghia per i piedi, accertarsi che sia in tensione (con i moschettoni in trazione dalla parte superiore dei golfari golfari) prima di iniziare l'esercizio. Vedere **figura 4**.



Figura 4: cinghia per i piedi in tensione.

MANUTENZIONE DELLE ROTELLE E GUIDE DEL REFORMER

Pulire le guide e le ruote (settimanalmente). Per una mobilità del carrello fluida e per allungare la durata delle ruote, raccomandiamo di pulire le guide una volta a settimana.

Sganciare le molle e pulire le guide su tutta la lunghezza con un panno morbido e il Cleaner Balanced Body, acqua e sapone neutro o un detergente comune tipo: Fantastik® o 409®. Non utilizzare detergenti o spugne abrasive, in quanto possono danneggiare l'anodizzazione delle guide. Pulire le ruote, tenendo fermo il panno contro le ruote, mentre si fa scorrere il carrello. Se si nota una protuberanza nel movimento, significa che lo sporco ha aderito alla superficie delle guide o delle ruote. Rimuovere capelli e residui dalle guide. I capelli possono avvolgersi attorno alle ruote e accumularsi, impedendo il movimento delle ruote. Utilizzare delle pinzette per rimuovere i capelli le ruote.

Non lubrificare le guide Allegro 2.

Supporti barra poggia piedi, frequenza trimestrale. Per tutte le barre poggia piedi Balanced Body dotate di staffe di supporto, verificare che la vite a perno collegata alla staffa della barra poggia piedi sia ben stretta, ma non troppo, per evitare il movimento libero del supporto. Per i Reformer Legacy, stringere la vite a perno per fissare il supporto della barra poggia piedi.

Spazio sottostante al Reformer, frequenza mensile. Spostare il Reformer e pulire lo spazio sottostante.

Paraurti barra poggia piedi della Standing Platform (esclusivamente per i Reformer in legno). Se i paraurti della barra poggia piedi della Standing Platform (piccoli pezzi di plastica che proteggono la Standing Platform dalla barra poggia piedi) sono rotti o danneggiati, contattare Balanced Body per la sostituzione.

TRAPEZE TABLE (CADILLAC) E TOWER

Coppigli rimossi. Questi coppigli sono situati nei tubi verticali che allineano il baldacchino al telaio e devono essere rimossi non appena l'installazione è completata. I coppigli non rimossi possono strappare gli abiti e lacerare la pelle.



Figura 5: coppiglio prima e dopo la rimozione dal Trap Table.

Usare le pinze per rimuovere i coppigli. Conservare i coppigli in caso di necessità per smontare e rimontare il lettino per poterlo trasportare, vedere **figura 5**.

Barra push-through (PTB) con slider. La PTB si muove in senso verticale per soddisfare diversi utenti ed esercizi. Gli slider sui tubi consentono di effettuare il movimento in verticale. Assicurarsi che gli slider siano puliti e che il movimento sia fluido. Prima di iniziare qualsiasi esercizio, accertarsi che gli slider siano allineati correttamente con i fori PTB e fissati in posizione.

Lubrificazione. Non spruzzare mai silicone vicino alle ruote o al loro interno, poiché può rimuovere il lubrificante dai cuscinetti e rovinarli. È possibile acquistare il silicone asciutto presso negozi di ferramenta o di pezzi di ricambio per automobili. Talvolta le carrucole necessitano di lubrificante per rimuovere il cigolio.

Spruzzare direttamente una piccola quantità di silicone asciutto o Teflon sulla carrucola. Il silicone "asciutto" non è a base oleica. L'olio di silicone ("liquido") e WD40 non deve essere utilizzato, poiché attira lo sporco. Fare attenzione a non spruzzare il prodotto in quantità eccessive. Rimuovere le corde per evitare il contatto con il silicone. Le punte del pistone dello slider, contattare Balanced Body per la sostituzione. Utilizzare la PTB in queste condizioni può causare lesioni.

Manutenzione settimanale per gli slider delle barre push-through. Controllare per assicurarsi che le punte della manopola del pistone sporgano e serrino nei tubi verticali. Tirare entrambe le manopole e muovere gli slider in una posizione diversa. Rilasciare le manopole prima del prossimo foro e continuare a far scorrere

il sistema fino a raggiungere la posizione. Una volta raggiunto il foro, la punta della manopola si inserirà automaticamente nell'apertura. Quando ciascun slider è in una nuova posizione, esercitare forza verso il basso sulla PTB. Le punte degli slider non devono uscire dai fori. Se non serrano nei fori dei tubi, è necessario sostituire il meccanismo di tiraggio della manopola. Contattare Balanced Body per richiedere i pezzi di ricambio.

Barra push-through (PTB) con regolazione punta a T. Per gli esercizi con le molle fissate in basso, se la testa del cliente è al di sotto della PTB, usare la regolazione della punta a T, in aggiunta alla cinghia o catena di sicurezza. Si raccomanda caldamente di osservare il cliente, per garantire la sua sicurezza.

Controllo barra push-through (PTB). Assicurarsi di avere spazio sufficiente attorno al Trap Table per usare la PTB in sicurezza senza timore di colpire altre persone. La PTB può essere pericolosa se viene non usata correttamente. L'uso della PTB deve essere limitato esclusivamente a utenti qualificati ed esperti. Una seconda persona deve sempre tenere il controllo della barra con una mano, poiché se l'utente perde il controllo della barra, la seconda persona garantirà la sicurezza dell'esercizio.

Punti di fissaggio corretti per la cinghia di sicurezza. Per gli esercizi con le molle fissate in basso, la cinghia o la catena di sicurezza devono sempre assicurare la barra.

La cinghia o la catena di sicurezza devono sempre avvolgere la PTB e il baldacchino, ma non i golfari. La forza della cinghia o della catena è limitata, mentre il baldacchino e la barra sono molto più stabili dei golfari. **Figura 6.**



Figura 6: cinghia di sicurezza che tiene insieme barra push-through con le lancette di un orologio che segnano le quattro. La cinghia è fissata al PTB e al telaio del baldacchino, non nei golfari.

Si raccomanda caldamente di osservare il cliente, per garantire la sua sicurezza.

Impostare la PTB per gli esercizi con le molle fissate in basso. Per gli esercizi con le molle fissate in basso, la cinghia di sicurezza deve essere fissata in modo che l'angolo della barra non sia inferiore di quello delle lancette di un orologio che segnano le quattro.

Per evitare lesioni, si raccomanda caldamente di usare il quarto lato del PTB assieme alla cinghia di sicurezza.

Montanti a molla della clessidra. Se la sedia è dotata di montanti a molla per la clessidra e questi non tengono correttamente le molle, sostituire le rondelle in fibra (di colore marrone-rossastro).



Figure 7: cinghia di sicurezza che tiene insieme la barra push-through con le lancette di un orologio che segnano le quattro. La cinghia è fissata al PTB e al telaio del baldacchino, non nei golfari.



Figura 8: Rondella in fibra

Figura 8. Se la vostra Chair è una Balanced Body Split-step Pedal Chair (Combo Chair), valutate l'upgrading al modello Cactus Springtree).

PULIZIA E MANUTENZIONE DELL'IMBOTTITURA

Pulizia. È possibile allungare la durata dell'imbottitura, evitando sporco, olio e sudore. Dopo ogni uso, pulire l'imbottitura con una soluzione di acqua e sapone neutro, quindi risciacquare con acqua pulita e asciugare con un panno morbido.

Disinfezione. L'attrezzatura è rivestita con BeautyGard®, in grado di offrire protezione antibatterica. Se si desidera maggiore disinfezione, Balanced Body offre la soluzione disinfettante Balanced Body Clean™. L'uso di qualsiasi altra soluzione (particolarmente quelle contenenti oli essenziali) potrebbe ridurre la vita di alcune attrezzature si sconsiglia vivamente.

COME ISPEZIONARE E STRINGERE DADI E BULLONI.

Usare le dita per controllare che dadi e viti siano ben fissati. Se è possibile ruotare il dado o la vite con le dita, significa che sono lenti e devono essere stretti. Usare prima le mani per stringerli, ruotando in senso orario. Quindi, inserire un cacciavite nel golfaro per tenerli fermi, mentre si stringono le viti.



Figura 9: Usare due dita per stringere i bulloni

Quindi usare una piccola chiave per stringere ulteriormente le viti. **Figura 9.**

SEDIE

Smontare con controllo. Durante l'operazione di smontaggio, togliere i pedali lentamente, mantenendo il controllo, per evitare che scattino.

Osservare gli utenti. Quando l'utente è in piedi, seduto o decubito sulla sedia, vi è un maggiore rischio di caduta. In particolare, gli esercizi in piedi, possono essere instabili. Osservare gli utenti per garantire la sicurezza degli esercizi.

Si raccomanda di controllare la sporgenza delle punte della PTB e bloccarle nei tubi verticali, in modo adeguato. Per verificarne il funzionamento, innanzitutto tirare entrambe le manopole e spostare gli slider in una posizione diversa. Rilasciare le manopole, prima di arrivare al prossimo foro e continuare a far scivolare il sistema. Una volta raggiunto il foro, la punta della manopola si inserirà automaticamente nel foro. Quando ciascun slider si trova in una nuova posizione, esercitare forza verso il basso sul PTB. Le punte degli slider non devono uscire dai fori.

Se le punte non si inseriscono nei fori dei tubi, è necessario sostituire il meccanismo di tiraggio della manopola. Contattare Balanced Body per richiedere i pezzi di ricambio.

REGISTRO DI CONTROLLO E MANUTENZIONE DELL'ATTREZZATURA

Suggeriamo di tenere un registro di manutenzione per ciascun pezzo dell'attrezzatura. Tale registro dovrà comprendere quanto segue:

1. una descrizione della macchina, compreso il numero di serie, la data, il luogo di acquisto e il produttore. Tutte queste informazioni sono indicate sulla fattura.
2. Data e descrizione di tutta l'attrezzatura necessaria e ispezioni eseguite.
3. Data e descrizione di ciascuna riparazione, incluso il nome e le informazioni di contatto della persona o dell'azienda che ha effettuato tale riparazione.

PROGRAMMA DI MANUTENZIONE

Tutti gli attrezzi	Gior.	Sett.	Mese	Trim.
Controllare la presenza di crepe e pieghe nelle molle		✓	✓	
Controllare la presenza di usura sui moschettoni			✓	
Controllare il fissaggio di dadi e viti			✓	
Reformer				
Pulire le ruote e le guide		✓		
Controllare il gancio della barra a molle/golfari				✓
Ruotare le molle				✓
Controllare le corde/cinghie				✓
Controllare i supporti barra poggia piedi				✓
Controllare le barre a molle one-step				✓

PEZZI DI RICAMBIO

Per ordinare pezzi di ricambio o in caso di domande, telefonare a:

U.S. e Canada: 1-800-PILATES (1-800-745-2837)

Regno Unito: 0800 014 8207

Altre località : +1 916-388-2838

Fax: 916-379-9277

E-mail: info@pilates.com

www.pilates.com

5909 88th Street, Sacramento, CA 95828 USA

Fare clic qui per i dati sui brevetti di **Balanced Body**.

PODCAST DI MONTAGGIO E MANUTENZIONE

Consultare i nostri video di montaggio e manutenzione su:

www.pilates.com/podcasts.

Montaggio dell'Allegro® Reformer

ELENCO DELLE PARTI

Numero della parte	Descrizione	Quantità
950-002	Barra poggiapiedi completa	1
950-020	Bulloni e rondelle di spalla	1 kit
950-228	Poggiaspalle con supporti	1 coppia
616-400	Sostegno di blocco per le spalle	2
GEN8000	Pomelli con vite twist lock	2
210-070	Cavi soft touch	1 coppia
210-064	Asole doppie (Soft Touch)	1 coppia
950-225	Montante Allegro con puleggia	2
GEN9050	Chiave a brugola da 5/16"	1
ALL0060	Chiave Allegro	1
SPR9070	Molla rossa	3
SPR9071	Molla blu	1
SPR9241	Molla gialla	1
UPH7040	Cuscinetto in schiuma per la Standing Platform	1

PRECAUZIONI IMPORTANTI: LEGGERE LE AVVERTENZE

Per ridurre il rischio di lesioni gravi, leggere attentamente le importanti precauzioni che seguono prima di usare Allegro.

- » Leggere le istruzioni contenute in questo manuale prima di usare Allegro. Prima di utilizzare l'attrezzo, guardare con attenzione il video Montaggio e sicurezza fornito insieme ad Allegro. Utilizzare Allegro unicamente nel modo descritto nel presente manuale e nel video.
- » È responsabilità del proprietario assicurarsi che tutti gli utilizzatori di Allegro siano adeguatamente informati sulle precauzioni da adottare.
- » Utilizzare Allegro unicamente su una superficie piana. Tenere le mani e i piedi lontano da tutte le parti in movimento. Quando Allegro non è utilizzato, almeno due molle dovranno rimanere agganciate al carrello. Tenere bambini al di sotto di 12 anni e animali domestici lontani da Allegro in qualsiasi momento.
- » In caso di sensazione di dolore, vertigini o mancanza di respiro, smettere immediatamente l'esercizio.
- » Prima di iniziare qualsiasi programma di esercizi, consultare il medico.



MONTAGGIO DEI POGGIASPALLE

1. Individuare i due perni sporgenti alla base dei poggiaspalle. Abbassare i perni dei poggiatesta sugli intagli e far scorrere in direzione opposta all'imbottitura del carrello. Vedere Figura A.

Nota: I poggiaspalle possono essere montati in due posizioni. Una posizione è più larga e più confortevole per le persone con spalle più ampie. Scambiare la posizione del poggiaspalle destro e sinistro per passare dalla configurazione standard a quella larga.

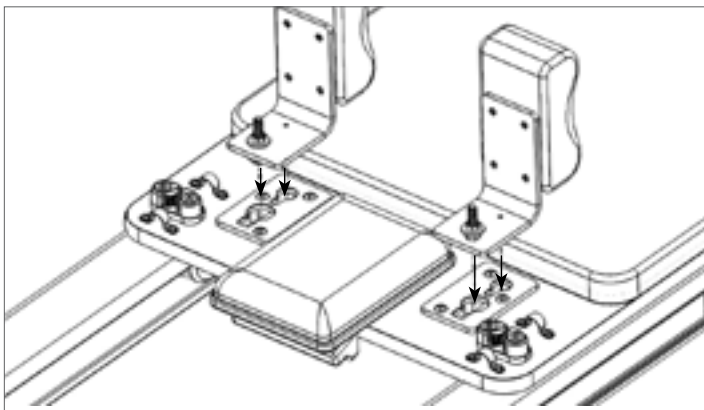


Figura A

2. Ora avvitare i sostegni di blocco per le spalle sul bullone sporgente alla base di ciascun poggiaspalle. Vedere Figura B.

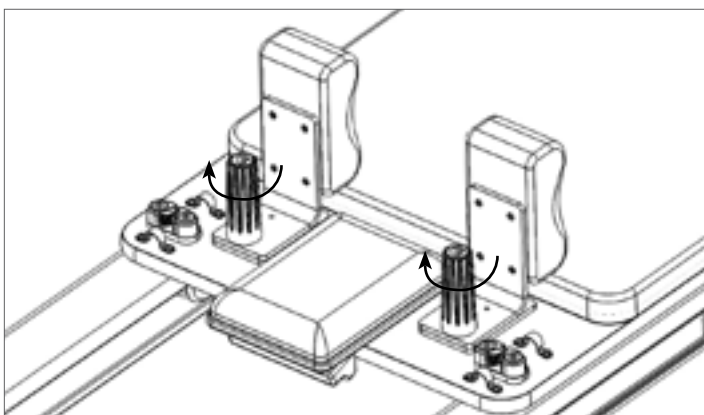


Figura B

Utilizzo dei sostegni di blocco per le spalle:

Ruotare i sostegni in senso orario per serrarli e bloccare i poggiaspalle in posizione. Se i poggiaspalle vengono serrati eccessivamente, sarà difficile rimuoverli, pertanto serrarli fino in fondo ma non eccedere. Per rimuovere i poggiaspalle, ruotare il sostegno in senso antiorario di 1-2 giri e far scorrere il poggiaspalle delicatamente verso il carrello.

La Figura C illustra la posizione dei poggiaspalle quando sono riposti. Notare gli appositi intagli sul lato testa del telaio dell'Allegra.

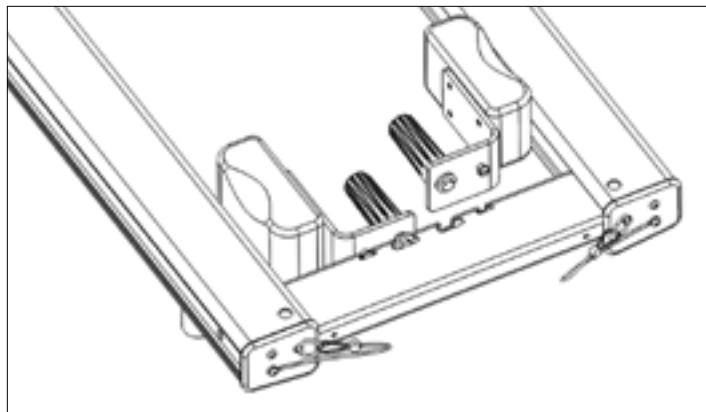


Figura C

MONTAGGIO DEGLI SPINOTTI ELASTICI NERI

3. Allineare il foro grande filettato sul perno di articolazione con uno dei fori presenti sul telaio. Avvitare fino in fondo nel foro lo spinotto elastico. Vedere la Figura D.
4. Ripetere sull'altro lato. Serrare entrambi gli spinotti elastici in modo sicuro con la chiave fissa in dotazione.

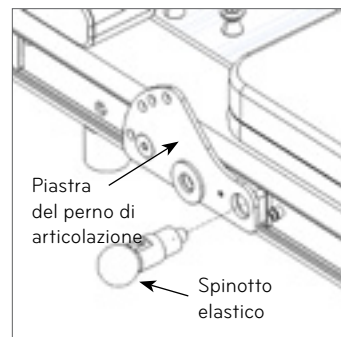


Figura D

Per muovere i perni di articolazione, estrarre gli spinotti elastici dal telaio e ruotare di 90° per sbloccarli. Per reinserire lo spinotto, ruotare lo spinotto finché si inserisce in uno dei fori presenti sul lato del telaio.

Nota: Assicurarsi che entrambe le piastre del perno di articolazione siano bloccate nella stessa posizione orizzontale prima di proseguire.

MONTAGGIO DELLA BARRA POGGIAPIEDI

5. Sollevare la barra poggiapiedi così che la cucitura della fodera della barra poggiapiedi sia lontana dall'imbottitura del carrello.
6. Premendo le levette degli spinotti elastici della barra poggiapiedi, posizionare la barra sulla parte esterna delle piastre del perno di articolazione. Allineare gli spinotti elastici della barra poggiapiedi con il foro superiore della piastra del perno di articolazione. Continuando a sostenere la barra poggiapiedi, rilasciare le levette degli spinotti elastici per consentire a questi ultimi di inserirsi nella piastra del perno di articolazione. Assicurarsi che gli spinotti di entrambi i lati siano innestati. Vedere Figura E.

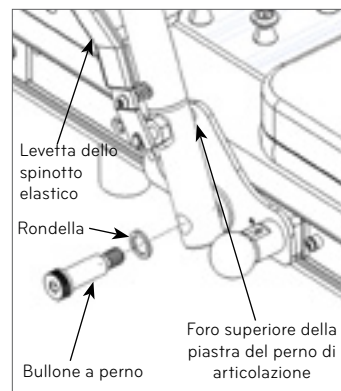


Figura E

- Ruotare leggermente la barra poggipiedi fino a quando il foro grande nella parte inferiore della barra non combacia con il rimanente foro filettato nella piastra del perno di articolazione.
- Inserire il bullone con collare insieme a una rondella nel foro grande della barra poggipiedi. Con la chiave a brugola (GEN9050), avvitare il più possibile il bullone con collare nella piastra del perno di articolazione. Ripetere l'operazione per l'altra parte. Vedere Figura E.

MONTAGGIO DEI MONTANTI

- Rimuovere i perni di bloccaggio dal telaio. Inserire i montanti nei fori presenti sulla parte superiore del telaio. Girare i montanti in modo che le pulegge siano orientate verso il basso del telaio e rivolte verso la barra poggipiedi. Vedere Figura F.



Figura F

- Reinserire i perni di bloccaggio finché l'anello di metallo tocca il telaio. Potrebbe essere necessario muovere o sollevare leggermente o ruotare il montante per riuscire a inserire completamente i perni di bloccaggio.

AGGANCIAMENTO DELLE CORDE

- Per agganciare le corde, collegare prima almeno una molla dal carrello al telaio per tenere il carrello nella posizione iniziale. Srotolare le corde e separarle.
- L'Allegro è dotato di corde Soft Touch prive di moschettoni per agganciare le asole. Niente più moschettoni che colpiscono o si trascinano sul telaio! Seguire le immagini per installare le asole. Vedere Figura G.
- Poggiare le asole sopra i poggiaspalle. Passare l'altro capo di ciascuna corda intorno alla puleggia di un montante, poi indietro negli strozzatori sul carrello per regolare la lunghezza. Assicurarsi di inserirle nelle fascette in cromo su entrambi i lati degli strozzatori. Per garantire una buona presa, spingere sempre con decisione la corda negli strozzatori.

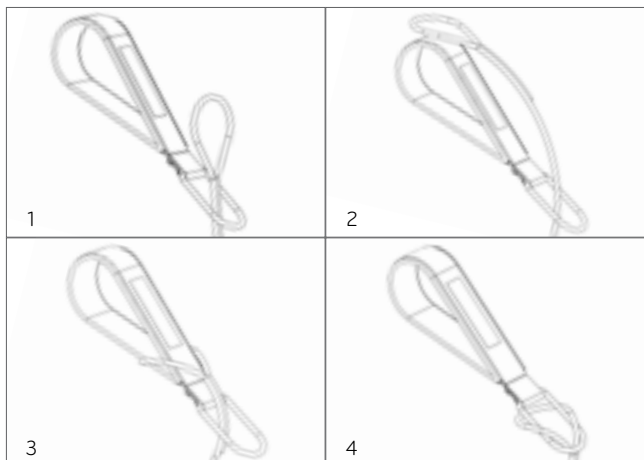


Figura G

CONSERVAZIONE DELL'ALLEGRO REFORMER

Impilamento

Per una dimostrazione di come impilare l'Allegro, guardare la parte Configurazione e Sicurezza del DVD Introduttivo/livello 1. Fissare le molle per evitare che il carrello si muova. Posizionare la barra poggipiedi nella posizione "Bassa". Rimuovere i poggiaspalle e conservarli negli intagli al lato testa del telaio. Abbassare il poggiatesta. Rimuovere i montanti e riporli negli appositi fori sui lati del telaio. Posizionare le corde e le asole all'interno del telaio dell'Allegro, ma non nel carrello. Alternare l'orientamento degli Allegro nell'impilarli. Inserire i piedini del lato testa sulla piattaforma verticale dell'Allegro in basso, e così via. Impilare al massimo 5 Reformer senza gambe (3 con gambe). Non impilare il Reformer con le Tower.

Posizionamento in verticale

Per riporre l'attrezzo in posizione verticale è assolutamente necessario che la barra poggipiedi dell'Allegro sia fissata e bloccata nella corretta posizione. Spostare e bloccare la barra poggipiedi nella posizione più vicina al lato piedi del telaio del Reformer. Portare la barra poggipiedi nella posizione più alta. Sollevare il lato testa del telaio di Allegro fino all'altezza della vita. Quindi, alzare l'attrezzo in posizione verticale. Servirsi dei piedi per tenere ferma l'estremità con le ruote del telaio mentre si solleva la struttura in posizione verticale. In posizione verticale, l'Allegro poggerà sulla barra poggipiedi e sulle ruote di trasporto. Vedere Figura H.



Figura H

PULIZIA E MANUTENZIONE

Pulizia

Dopo ogni utilizzo, pulire l'imbottitura del carrello, del poggiatesta, della barra poggipiedi e dei poggiaspalle con un panno soffice e un detergente neutro non abrasivo. Rimuovere la polvere e lo sporco che si depositano sulle guide e sulle ruote del carrello. Pulire regolarmente con un panno tutte le guide. Pulire settimanalmente il binario del perno di articolazione della barra poggipiedi. Pulire la struttura con un detergente delicato e non abrasivo. Mantenere le funi e le molle libere dalla polvere. Gli anelli di cotone possono essere lavati in lavatrice. Appendere per asciugare.

Lubrificazione

La scanalatura del perno di articolazione della barra poggipiedi può essere lubrificata con spray al silicone secco.

MANUTENZIONE

» Vedere la guida di sicurezza inclusa.

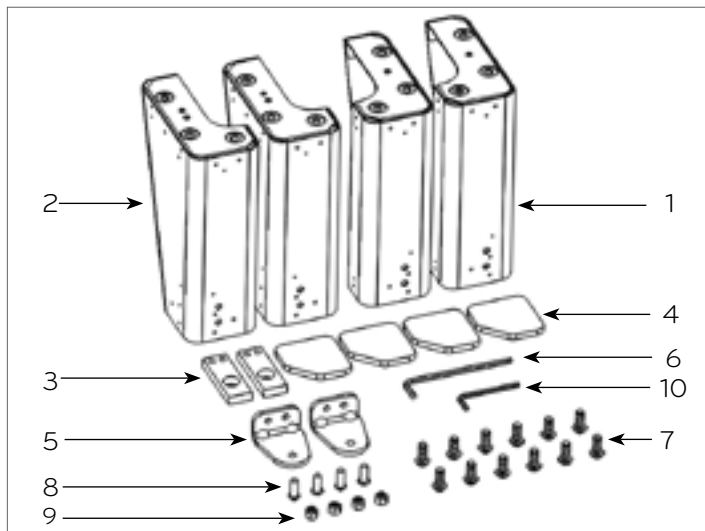
DOMANDE?

Contattare l'assistenza tecnica Balanced Body al numero 1-800-745-2838 (Stati Uniti e Canada) o al numero +1-916-388-2838.

Montaggio del kit gambe Allegro®

PARTI INCLUSE:

N. parte	Numero parte	Descrizione	Quantità
1	618-030	Gamba Allegro, A	2
2	618-031	Gamba Allegro, B	2
3	618-021	Piastra filettata	2
4	ALL0091	Cuscinetto in gomma, per le gambe, Allegro	4
5	614-020	Supporti ruote, gamba est Allegro	2
6	GEN8320	Chiave a brugola, 3/16" punta arrotondata	1
7	GEN7321	Vite, a testa tonda, 5/16-18 x 3/4"	12
8	GEN7325	Vite, 1/4-20 x 3/4"	4
9	GEN9021	Dado, Nylock, 1/4-20	4
10	GEN9282	Chiave a brugola 5/32" asta corta	1



ATTREZZI NECESSARI (NON INCLUSI):

- » Due chiavi da 1/2" o regolabili
- » Una chiave da 7/16"

1. Se è installata una Tower Of Power, rimuovere i cavi, allentare i 4 pomelli della tower e rimuovere la tower.
2. Utilizzare la chiave a brugola più corta per rimuovere le 4 viti che fissano le piastre di copertura sul lato testa e i perni del montante. Metterli da parte per reinstallarli in seguito. Vedere Figura A.

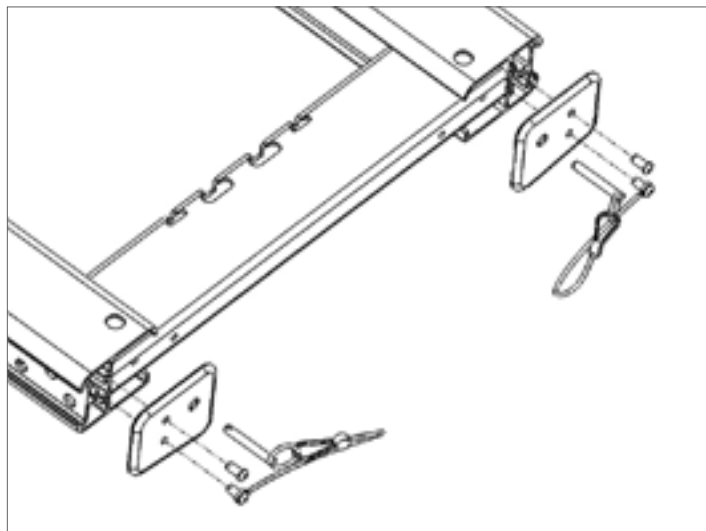


Figura A

3. Agganciare tutte le molle per tenere fermo il carrello. Rimuovere i cavi, i poggiaspalle e i montanti. Posizionare la barra poggiapiedi (se installata) nella posizione più bassa e controllare che tutti i perni siano bloccati in modo che la barra rimanga ferma. Facendosi aiutare da una persona robusta, sollevare l'Allegro da entrambe le estremità, capovolgerlo e appoggiarlo sul pavimento con cautela. È consigliabile posizionare sotto il Reformer un tappetino o altro per proteggere il pavimento.

4. Rimuovere i 4 piedini di gomma dalla base del telaio del Reformer afferrandoli saldamente e ruotando in senso antiorario. I piedini possono essere gettati sempre che non si desidera ritornare alla configurazione Allegro piatto.

5. Estrarre le gambe e gli altri articoli dalla confezione e appoggiare le gambe sul pavimento con la parte inferiore rivolta verso l'alto come riportato nella Figura B.

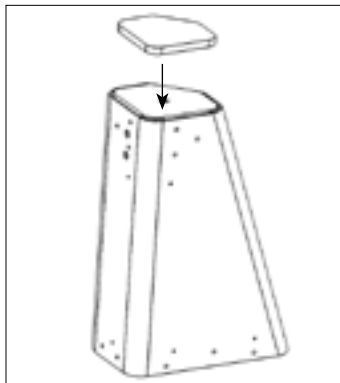


Figura B

6. Rimuovere l'adesivo dai 4 piedini in gomma e incollare i piedini alle gambe secondo la relativa forma, come riportato nella Figura B.

7. Inserire le piastre filettate illustrate nella Figura C nel telaio del Reformer finché il foro grande si allinea con il foro del montante sul telaio. A quel punto, abbassare il montante nel telaio e bloccarlo in posizione. Vedere Figura C e D.

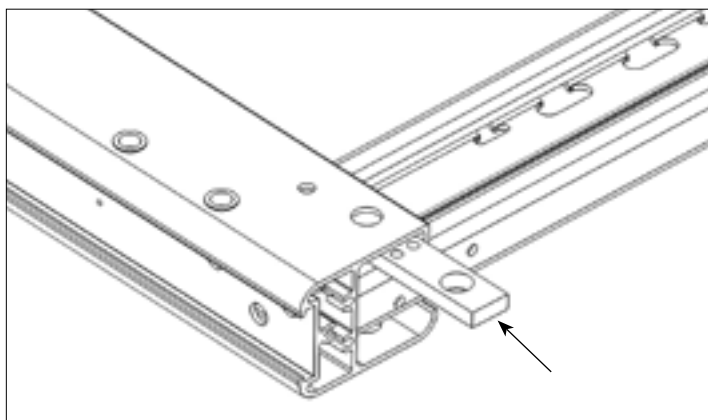


Figura C

8. A questo punto, manovrare la piastra filettata della gamba in modo che i fori nella Figura D siano allineati se si guarda attraverso il foro nel telaio. Questo sarà uno dei fori delle viti che si useranno per fissare le gambe.



Figura D

9. Con i montanti sempre posizionati in modo da trovare le piastre filettate, inserire due delle gambe sulla guida del telaio

nel lato testa del Reformer, allineando i fori presenti nella gamba con i tre fori presenti nel telaio. La gamba destra e la sinistra non sono identiche, pertanto è necessario selezionare la stessa forma del foro presente sul telaio. Ora iniziare ad avvitare tutte le sei viti da 5/16-18 nel telaio per fissare le gambe in posizione. Iniziare con le viti che vanno nel blocco tenuto in posizione dai montanti e dopo averle inserite tutte, serrarle. Vedere Figura E.

Ora è possibile rimuovere i montanti e metterli da parte.

NOTA: L'estremità lunga della chiave a brugola da 3/16" in dotazione ha la punta arrotondata per offrire una maggiore manovrabilità di lavoro nelle aree ristrette. Dopo aver serrato a mano le viti, usare l'asta corta della chiave a brugola per stringerle.

10. Inserire la gamba nel lato piedi del telaio usando la stessa procedura e le 6 viti. Sul lato piedi non sono necessarie le piastre filettate.

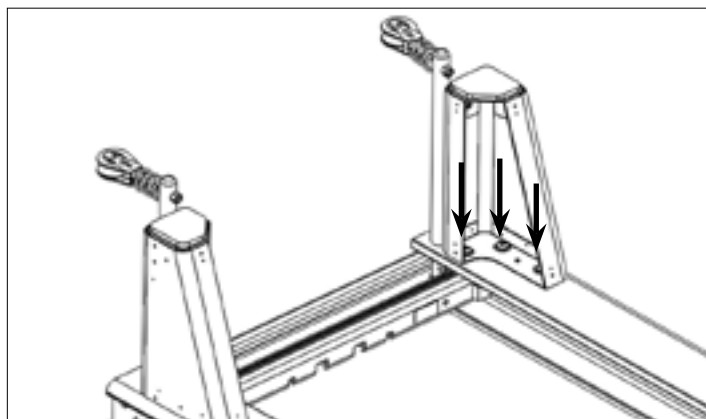


Figura E

11. Usando una chiave da 7/16" e la chiave a brugola in dotazione, inserire i supporti delle ruote di trasporto con le viti da 1/4-20 e i dadi come riportato nella Figura F. Assicurarsi che i supporti siano orientati come illustrato. In genere, si installano sul lato piedi del Reformer come indicato nella Figura F.

NOTA: Le ruote di trasporto possono essere installate anche sul lato testa per spostare più facilmente il Reformer con la Tower. È sufficiente assicurarsi che il carrello sia posizionato completamente vicino al lato testa del Reformer prima di sollevare il lato piedi della macchina in questa configurazione.

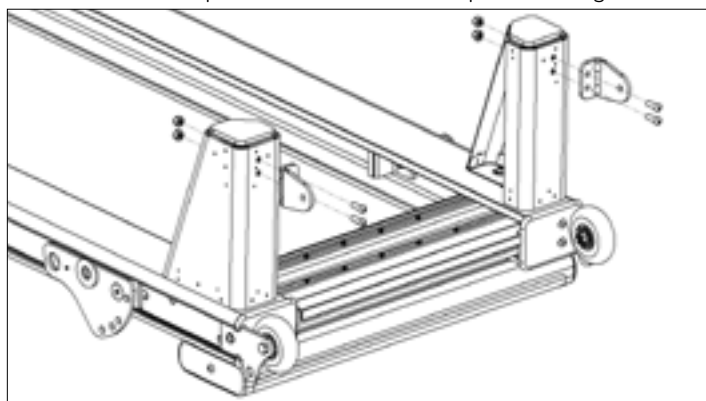


Figura F (barra poggiapiedi non illustrata)

12. Reinstallare le piastre di copertura della guida del lato testa nello stesso lato da cui sono state rimosse.

NOTA: Se si installerà il Tower System, non inserire le piastre.

13. Usando due chiavi da 1/2" o regolabili, rimuovere le ruote di trasporto dalla posizione in cui si trovano e installarle sui supporti appena montati. Lasciare i vecchi supporti in posizione, poiché qui verrà agganciata una fascia per i piedi. Vedere Figura G.

NOTA: È assolutamente fondamentale installare rondelle e ruote nello stesso ordine e con lo stesso orientamento che avevano sui supporti originali. Inserire una ruota alla volta e, se una ruota non gira liberamente, ricontrollarle tutte per assicurarsi di aver seguito la procedura corretta.

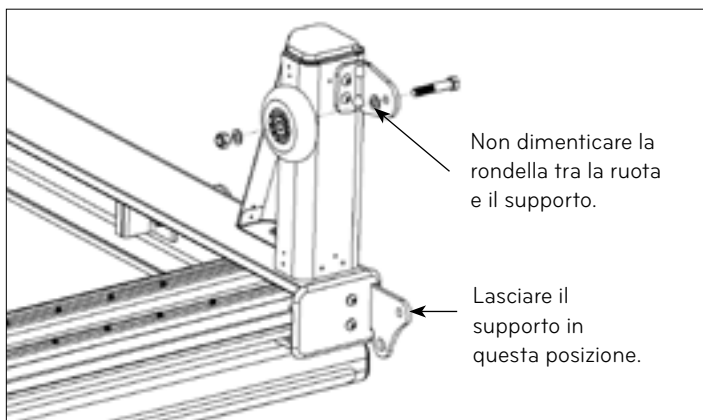


Figura G

14. Ora che le gambe sono installate, è possibile sollevare con cautela e ruotare l'Allegro Reformer in modo che riappoggi sulle gambe. Reinserire i poggiatesta, i montanti e i cavi.

Come installare e utilizzare il cuscinetto della Standing Platform

L'Allegro Reformer è dotato di un cuscinetto per la Standing Platform. Per utilizzare il cuscinetto, collocarlo direttamente sulla Standing Platform. Questo cuscinetto porterà la Standing Platform alla stessa altezza del cuscinetto del carrello. Vedere figura A.

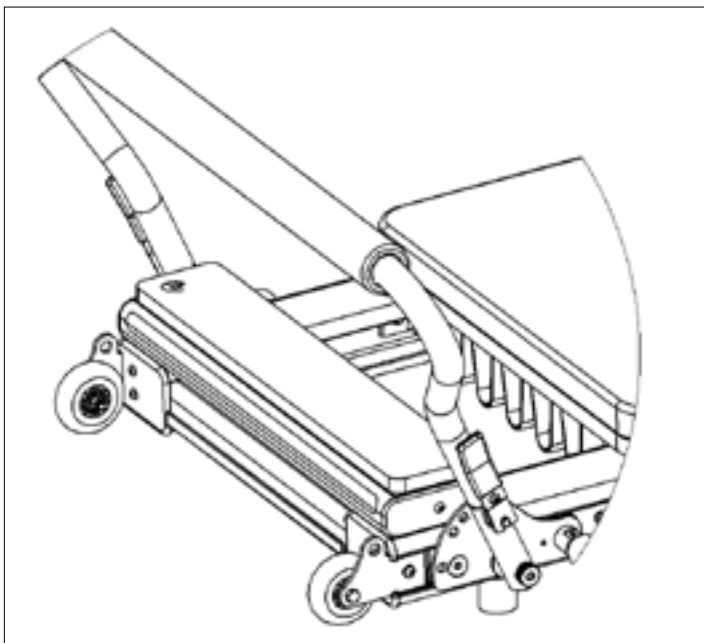


Figura A

Montaggio dell'Allegro® Tower of Power™

Prima di iniziare il montaggio, controllare di avere tutte le parti e i componenti, facendo riferimento al seguente elenco. In caso di parti mancanti, contattare il servizio assistenza clienti Balanced Body al numero 1-800-PILATES (1-800-745-2837) negli Stati Uniti e in Canada, oppure +1-916-388-2838 (negli altri Paesi).

PREPARAZIONE DELL'ALLEGRO REFORMER

Se si è acquistato un set gambe Allegro da 14", consigliamo vivamente di installare le gambe prima di installare la Tower.

Rimuovere tutti i cavi e i montanti dall'Allegro. Se l'Allegro è stato acquistato prima del 1° febbraio 2004, rimuovere le etichette e il materiale ondulato sui lati. È possibile ordinare gratuitamente una nuova etichetta contattando il numero 1-800-PILATES (1-800-745-2837) negli Stati Uniti e in Canada, oppure +1-916-388-2838 (negli altri Paesi).

ELENCO DELLE PARTI

Numero parte	Descrizione	Quantità
618-024	Tower	1
TRP0047	Barra Push-through (PTB)	1
GEN9892	Perno a T	2
950-234	Supporto della Tower, destro	1
950-235	Supporto della Tower, sinistro	1
950-131	Gruppo pomello e puleggia regolabile	2
212-001	Chiave a brugola da 5/32", lunga	1
SPR9004	Molla blu trapezio	2
SPR9002	Molla gialla trapezio	2
SPR9461	Molla viola lunga	2
SPR9006	Molla gialla lunga	2
710-010	Barra Roll Down	1
101-005	Asole di cotone singole	1 coppia
210-023	Fascia di sicurezza con moschettone	1
950-236	Supporti a molla inferiori Tower	1

ATTREZZI NECESSARI (NON INCLUSI):

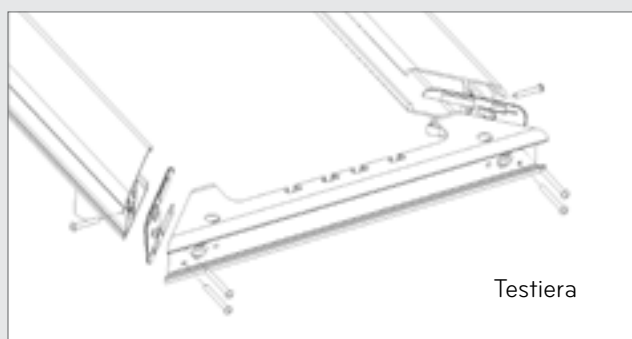
» Cacciavite Phillips



IMPORTANTE: LEGGERE PRIMA DELL'USO

NOTA: Se si possiede una versione originale dell'Allegro con giunti angolati (acquistata prima del novembre 2014), seguire queste istruzioni.

- a. Utilizzando la brugola Allen da 5/32" fornita, allentare e rimuovere le sei viti (2 poste una su ciascun lato del Reformer e 4 in corrispondenza della testiera) che mantengono in piedi la testiera del telaio. Se i piedi sono stati installati, sarà necessario rimuoverne i bulloni che li attaccano alla testiera del telaio. Fare attenzione all'orientamento delle zeppe di plastica tra gli elementi del telaio e il modo in cui vi sono inserite.



- b. Installare i supporti della Tower come descritto al punto 3 che segue. Non serrare le viti del supporto.
- c. Reinstallare la testiera del telaio del Reformer con le zeppe di plastica e le viti rimosse durante il passaggio a. I due bulloni più corti vanno collocati lateralmente sul telaio, mentre i 4 più lunghi vanno inseriti dal lato della testiera. Iniziare ad avvitare le 6 viti, per poi stringerle finché non saranno ben salde; non stringerle eccessivamente. Se sono presenti i piedi, reinstallare anche i relativi bulloni.
- d. Posizionare i supporti della Tower in modo che siano allineati con il bordo delle viti del telaio sul fianco del telaio. Quindi serrare le viti del supporto della Tower come indicato al punto 4.
- e. Seguire le istruzioni dal punto 6 fino alla fine.

1. Usando la chiave a brugola da 5/32" in dotazione, rimuovere i tappi della guida in plastica e i perni di bloccaggio sul lato testa del telaio dell'Allegro. Poiché dovranno essere riposizionati sullo stesso lato, annotare la posizione di ognuno e riporli insieme alle viti. Vedere Figura A.

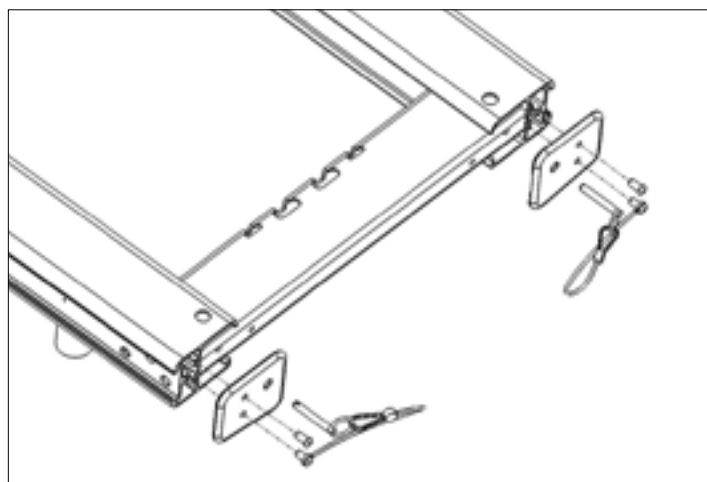


Figura A

2. Montaggio dei supporti della Tower:

- a. Utilizzando la brugola Allen da 5/32" fornita, allentare le 6 viti presenti su ciascuna staffa per 1-2 giri. Non rimuoverle, poiché si avrà soltanto bisogno di un po' di margine tra le piastre. Vedi figura B.
- b. Assicurarsi che le staffe siano orientate come in Figura B (utilizzare le manopole grigie grandi e le viti come riferimento) e farle scorrere all'interno del canale a C del telaio.

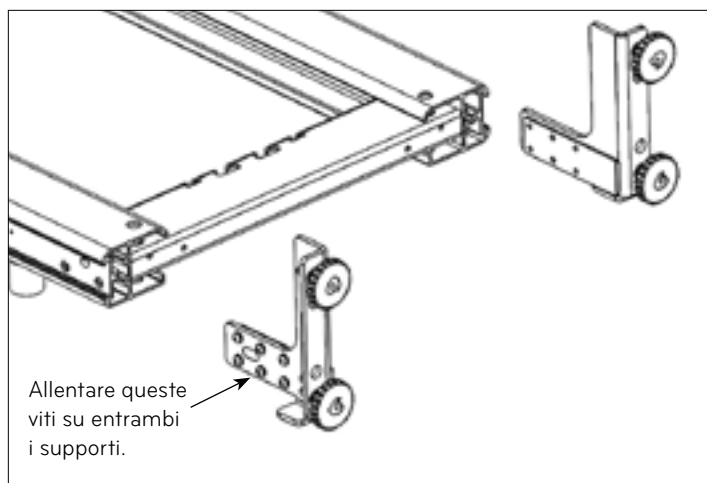


Figura B

3. Reinstallare i tappi di plastica sulle estremità dei binari sullo stesso lato da cui erano stati rimossi. Il cordino e le puntine di bloccaggio non sono più necessarie, quindi potranno essere messe da parte con i montanti. Vedi Figura C.

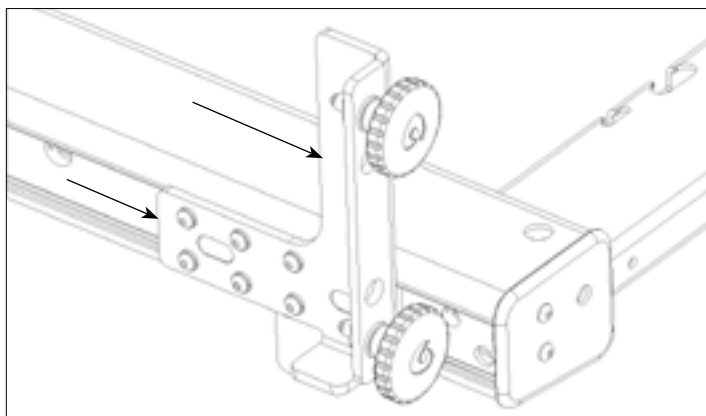


Figura C

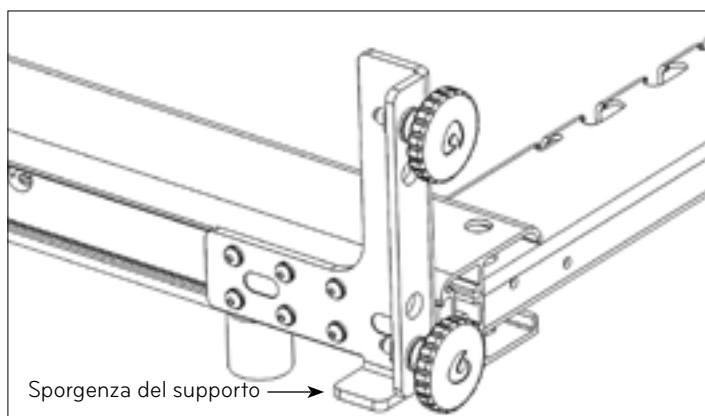


Figura E

4. Assicurarsi che entrambe le staffe siano state fatte avanzare fino a toccare i tappi di plastica del binario. Utilizzando la brugola Allen da 5/32" fornita, stringere le 6 viti su entrambe le staffe della Tower. Vedi Figure C e D.

6. Installare le pulegge regolabili montando i componenti come indicato nella Figura F con la puleggia all'interno del telaio. Serrare il pomello quando l'occhiello è orizzontale come indicato nella Figura G. Ripetere dall'altro lato.

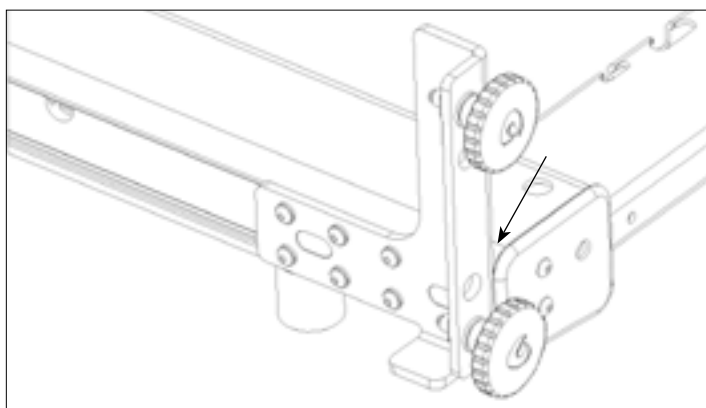


Figura D

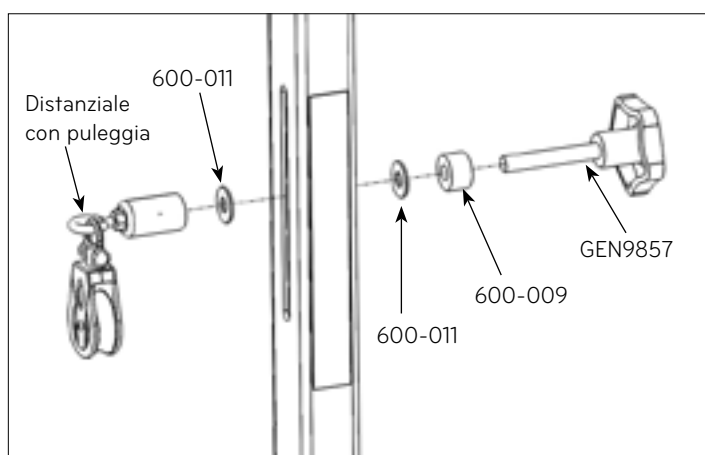


Figura F

5. Installare il telaio della Tower sui supporti.

7. Installare i supporti a molla inferiori nel lato testa del telaio con la vite lunga e la chiave a brugola da 5/32". Serrare le viti con l'occhiello rivolto in verticale come indicato nella Figura G.

- Orientare il telaio della Tower in modo che i fori grandi siano rivolti lontano dal carrello.
- Sollevare il telaio della Tower sui supporti e abbassarlo intorno a essi in modo che poggi sulla sporgenza alla base dei supporti. Vedere Figura E.
- Far scorrere il telaio verso il supporto finché è a filo.
- Con un braccio o mentre qualcun altro tiene il telaio della Tower fermo in verticale, iniziare a inserire i 4 pomelli grandi nel telaio. È possibile che si debba spingere il telaio per ottenere la posizione con il pomello. Se si riscontrano problemi con un pomello, passare al successivo e tornarvi in un secondo momento.

NOTA IMPORTANTE: serrare di 3-4 giri tutti pomelli nel telaio della Tower prima di stringerli a fondo. È fondamentale che la Tower sia parallela e a filo contro il supporto con i pomelli. Per ottenerne l'allineamento, è possibile che si debba spingere/tirare/ruotare la gamba della Tower.

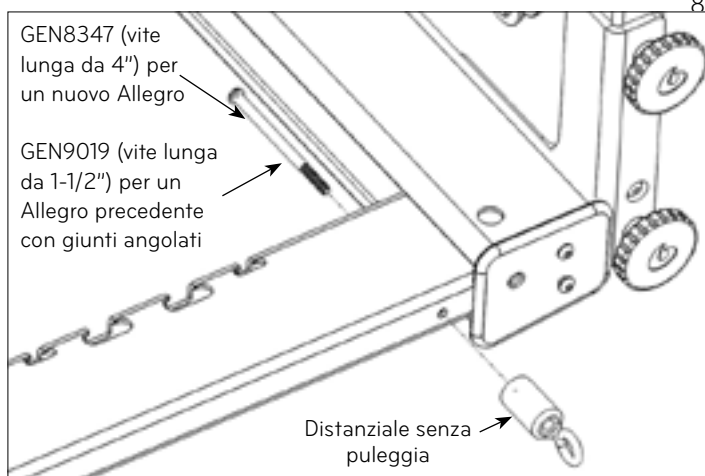


Figura G

e. Dopo aver inserito tutti i pomelli, serrarli uno alla volta.

- Reinserire le corde nelle nuove pulegge del montante.

RIPOSIZIONARE IL PERNO A T

A fini di spedizione, la Tower è confezionata con i perni a T installati sull'interno del telaio della Tower. Vedere Figura H.

- Il perno a T va montato all'esterno del telaio della Tower per essere utilizzato. Per rimuovere il perno a T, premere il pulsante sull'impugnatura del perno tenendo ben ferma la barra Push-through (PTB). Tirare il perno fino a liberarlo dalla PTB e dal telaio della Tower. Reinserrire il perno dall'esterno del telaio della Tower. Vedere Figura H.

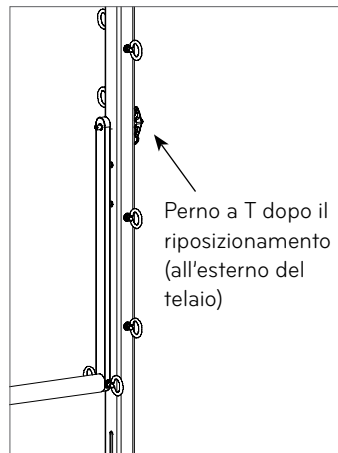


Figura H

MONTAGGIO DELLA VARIANTE MATERASSINO

- Sganciare tutte le molle del carrello
- Spostare il carrello sul lato testa del telaio e rimuovere le corde.
- Posizionare il materassino nello spazio compreso tra la piattaforma verticale e il carrello.
- Rimuovere i poggiaspalle dal carrello (facoltativo).

UTILIZZO DELLA CINGHIA DI SICUREZZA DELLA BARRA PUSH-THROUGH PRE-INSTALLATA

Nota: Utilizzare sempre la cinghia di sicurezza per esercizi con la barra articolata dal basso.

Usare solo sotto la supervisione di un istruttore qualificato. La cinghia di sicurezza della barra PTB è utilizzata unicamente negli esercizi con la barra articolata dal basso. La foto a destra illustra la cinghia di sicurezza correttamente posizionata per assicurare la barra Push-through. La cinghia è dotata di numerose asole o "punti di aggancio" che consentono di regolare il "punto di arresto" della barra PTB se viene rilasciata durante l'esercizio.



Figura I

Nota: Utilizzare la parte in velcro della cinghia di sicurezza orientata verso la parte superiore del telaio della Tower per fissare la barra PTB in verticale quando non è utilizzata.

SPOSTAMENTO E POSIZIONAMENTO IN VERTICALE CON LA TOWER

Nota: Prestare la massima attenzione nel piegare, spostare e riporre un attrezzo Allegro o un Allegro con la Tower. Utilizzare tecniche di sollevamento appropriate per evitare lesioni.

PER SPOSTARE:

Per spostare un Reformer con Tower in una posizione non lontana è possibile sollevare il lato testa e farlo scorrere sulle ruote di trasporto come si farebbe se non ci fosse una Tower. Considerare che si sta sollevando la Tower e il Reformer, pertanto saranno più pesanti del solo Reformer. Poiché la Tower occuperà un notevole spazio in altezza, fare attenzione in caso di soffitti non alti.

Se non è possibile spostare il Reformer e la Tower, rimuovere la Tower e poi spostare il Reformer.

- Passare le corde dietro le pulegge sul montante.
- Allentare i quattro pomelli grigi della Tower e rimuovere la Tower dal telaio del Reformer. Se è troppo pesante, è possibile rimuovere prima le molle e la barra Push-through. Se non si rimuove la barra Push-through o Roll-down, prestare attenzione poiché oscilleranno liberamente.
- Con il carrello tenuto in posizione iniziale da almeno 2 molle, sollevare il lato testa del Reformer per trascinarlo.

Nota: Se sono installate le gambe estese e le ruote di trasporto si trovano sul lato testa, è possibile lasciare la Tower installata e sollevare il lato piedi della macchina per trascinarla. È sufficiente assicurarsi che il carrello si trovi sul lato testa del telaio prima di sollevarlo. In questa configurazione, lo spostamento occuperà più spazio ma in alcune circostanze è più accettabile. Non sollevare il Reformer dalla barra poggiapiedi.

PER RIPORRE L'ATTREZZO IN POSIZIONE VERTICALE:

- Rimuovere il telaio della Tower come riportato nella sezione "Per spostare". **La Tower deve essere rimossa prima di riporre in verticale.**
- Per riporre l'attrezzo in posizione verticale è assolutamente necessario che la barra poggiapiedi dell'Allegro sia fissata e bloccata nella corretta posizione. Spostare e bloccare la barra poggiapiedi nella posizione più vicina al lato piedi del telaio del Reformer. Portare la barra poggiapiedi nella posizione più alta. Sollevare il lato testa del telaio di Allegro fino all'altezza della vita. Quindi, alzare l'attrezzo in posizione verticale. Servirsi dei piedi per tenere ferma l'estremità con le ruote del telaio mentre si solleva la struttura in posizione verticale. In posizione verticale, l'Allegro poggerà sulla barra poggiapiedi e sulle ruote di trasporto.

Nota: Per riporre l'attrezzo in posizione verticale è assolutamente necessario che la barra poggiapiedi di Allegro sia fissata e bloccata nella corretta posizione.

Montaggio della cinghia di sicurezza per l'ancoraggio dell'Allegro® a parete

La cinghia di sicurezza per l'ancoraggio dell'Allegro a parete è stata progettata per il montaggio su pareti con intelaiatura di legno standard. Nel caso di pareti costruite con materiali diversi (mattoni, cemento, ecc.) potrebbe essere necessario un dispositivo di fissaggio diverso. Informarsi presso il negozio di ferramenta locale o un impresario edile.

Elenco delle parti (incluse)

- » 1 cinghia regolabile
- » 1 bullone ad occhiello da 3-1/2"

Attrezzi necessari (non inclusi)

- » Trapano con punta da 1/8"
- » Cacciavite a punta piatta o Phillips

MONTAGGIO DEL BULLONE AD OCCHIELLO

1. Individuare sulla parete un perno in cui si desidera riporre in posizione verticale l'Allegro. Assicurarsi di avere spazio a sufficienza per Allegro da entrambi i lati del perno e sopra. Utilizzando un trapano con una punta da 1/8" praticare un foro nel perno ad un'altezza compresa tra 1,5 m e 1,7 m dal pavimento. Inserire nel foro il bullone ad occhiello con un cacciavite, fino a quando il gambo del bullone non sarà completamente penetrato nella parete.

UTILIZZO DELLA CINGHIA DI SICUREZZA PER L'ANCORAGGIO A PARETE

2. Seguire le istruzioni per posizionare verticalmente in maniera corretta l'Allegro o l'Allegro Tower.
3. Spostare l'Allegro vicino alla parete, con la barra poggiapiedi rivolta verso l'esterno o perpendicolare ad essa.
4. Far passare le estremità della cinghia intorno a una guida della struttura di Allegro e unire le due estremità con l'apposita chiusura a clip regolabile.
5. Regolare la cinghia per rimuovere qualsiasi lasco.



NOTA: Non cercare di far passare le estremità della cinghia intorno all'intero telaio; non sarebbe possibile.

IMPORTANTE: Balanced Body non risponde di eventuali danni o lesioni causati da un montaggio a parete improprio o dall'uso improprio o non corretto dei dispositivi per il fissaggio a parete.

In caso di domande, contattare Balanced Body al numero 1-800-PILATES (1-800-745-2837) negli Stati Uniti e in Canada, oppure +1-916-388-2838 (negli altri Paesi).

Come assemblare l'Allegro® Stretch Reformer

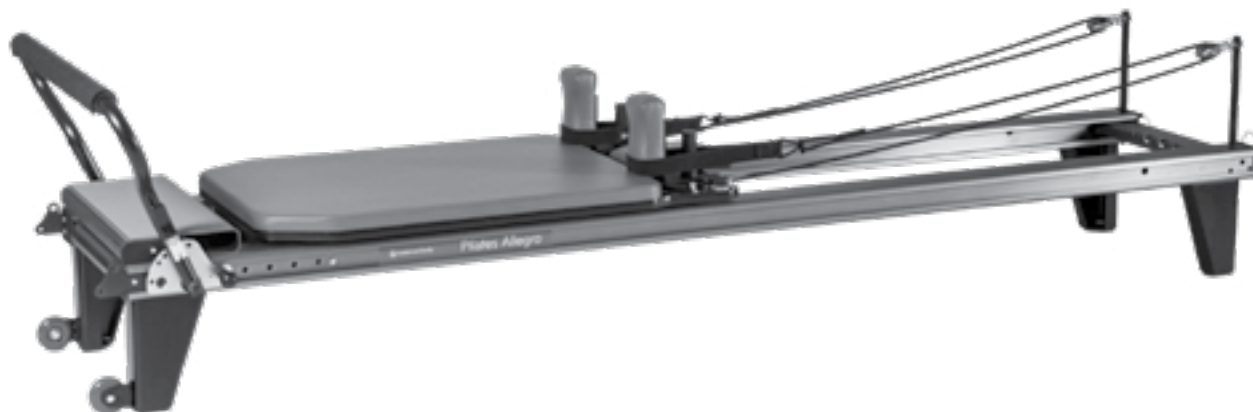
ELENCO DELLE PARTI

Numero della parte	Descrizione	Quantità
950-002	Barra poggiapiedi completa	1
950-020	Bulloni ad occhio e rondelle	1 kit
950-228	Poggiaspalle con supporti	1 coppia
616-400	Sostegno di blocco per le spalle	2
GEN8000	Pomelli con vite twist lock	2
210-057	Corde di tocco leggero, Stretch	1 coppia
210-064	Asole doppie (Soft Touch)	1 coppia
950-225	Montante Allegro con puleggia	2
GEN9050	Chiave a brugola da 5/16"	1
ALL0060	Chiave Allegro	1
SPR9070	Molla rossa	3
SPR9071	Molla blu	1
SPR9241	Molla gialla	1
DVD8413	DVD di presentazione	1
621-008	Oversized Standing Platform	1
UPH7040	Cuscinetto in schiuma - Standing Platform	1
UPH7041	Cuscinetto in schiuma - Oversized Standing Platform	1

PRECAUZIONI IMPORTANTI: LEGGERE LE AVVERTENZE

Per ridurre il rischio di lesioni gravi, leggere attentamente le importanti precauzioni che seguono prima di usare Allegro.

- » Leggere le istruzioni contenute in questo manuale prima di usare Allegro. Prima di utilizzare l'attrezzo, guardare con attenzione il video Montaggio e sicurezza fornito insieme ad Allegro. Utilizzare Allegro unicamente nel modo descritto nel presente manuale e nel video.
- » È responsabilità del proprietario assicurarsi che tutti gli utilizzatori di Allegro siano adeguatamente informati sulle precauzioni da adottare.
- » Utilizzare Allegro unicamente su una superficie piana. Tenere le mani e i piedi lontano da tutte le parti in movimento. Quando Allegro non è utilizzato, almeno due molle dovranno rimanere agganciate al carrello. Tenere bambini al di sotto di 12 anni e animali domestici lontani da Allegro in qualsiasi momento.
- » In caso di sensazione di dolore, vertigini o mancanza di respiro, smettere immediatamente l'esercizio.
- » Prima di iniziare qualsiasi programma di esercizi, consultare il medico.



MONTAGGIO DEI POGGIASPALLE

Il reformer stretch è dotato di otto diverse posizioni dei poggiaspalla. I poggiaspalla possono essere regolati in base alla larghezza delle spalle. I poggiaspalla sinistro e destro possono essere scambiati per ottenere queste configurazioni.

1. Individuare i due perni sporgenti alla base dei poggiaspalle. Abbassare i perni dei poggiatesta sugli intagli e far scorrere in direzione opposta all'imbottitura del carrello. Vedere Figura A.

Nota: I poggiaspalle possono essere montati in due posizioni. Una posizione è più larga e più confortevole per le persone con spalle più ampie. Scambiare la posizione del poggiaspalle destro e sinistro per passare dalla configurazione standard a quella larga.

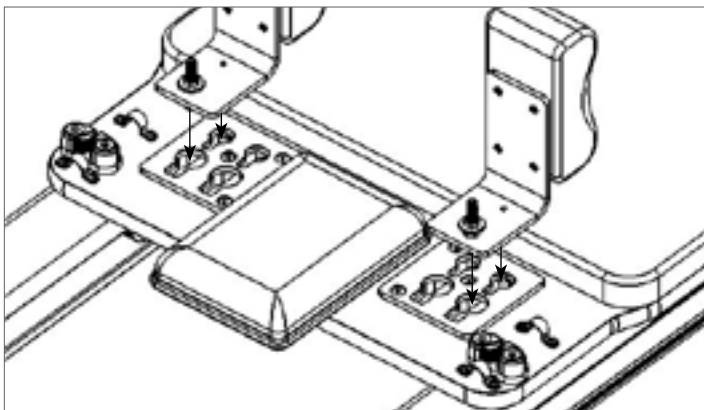


Figura A

2. Ora avvitare i sostegni di blocco per le spalle sul bullone sporgente alla base di ciascun poggiaspalle. Vedere Figura B.

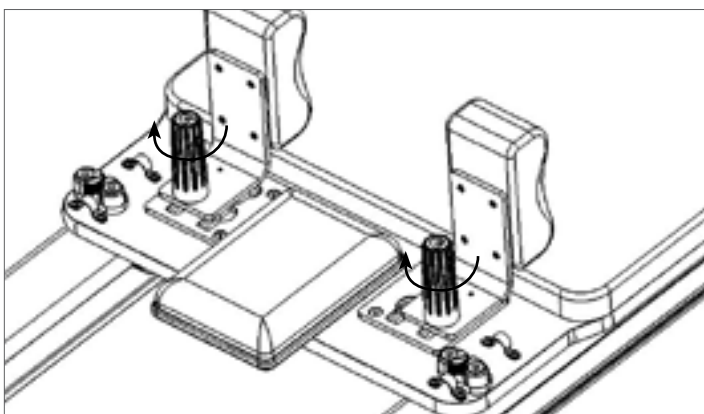


Figura B

Utilizzo dei sostegni di blocco per le spalle:

Ruotare i sostegni in senso orario per serrarli e bloccare i poggiaspalle in posizione. Se i poggiaspalle vengono serrati eccessivamente, sarà difficile rimuoverli, pertanto serrarli fino in fondo ma non eccedere. Per rimuovere i poggiaspalle, ruotare il sostegno in senso antiorario di 1-2 giri e far scorrere il poggiaspalle delicatamente verso il carrello.

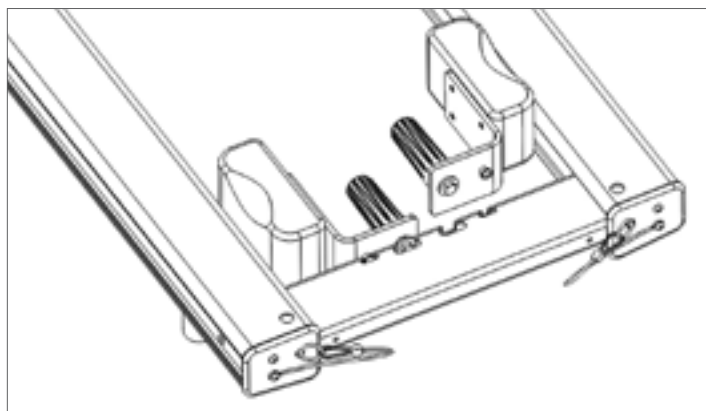


Figura C

MONTAGGIO DEGLI SPINOTTI ELASTICI NERI

3. Allineare il foro grande filettato sul perno di articolazione con uno dei fori presenti sul telaio. Avvitare fino in fondo nel foro lo spinotto elastico. Vedere la Figura D.
4. Ripetere sull'altro lato. Serrare entrambi gli spinotti elastici in modo sicuro con la chiave fissa in dotazione.

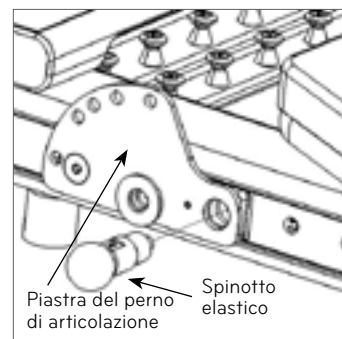


Figura D

Per muovere i perni di articolazione, estrarre gli spinotti elastici dal telaio e ruotare di 90° per sbloccarli. Per reinserire lo spinotto, ruotare lo spinotto finché si inserisce in uno dei fori presenti sul lato del telaio.

Nota: Assicurarsi che entrambe le piastre del perno di articolazione siano bloccate nella stessa posizione orizzontale prima di proseguire.

MONTAGGIO DELLA BARRA POGGIAPIEDI

5. Sollevare la barra poggiapiedi così che la cucitura della fodera della barra poggiapiedi sia lontana dall'imbottitura del carrello.

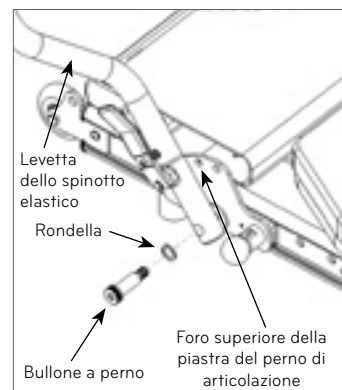


Figura E

6. Premendo le levette degli spinotti elastici della barra poggiapiedi, posizionare la barra sulla parte esterna delle piastre del perno di articolazione. Allineare gli spinotti elastici della barra poggiapiedi con il foro superiore della piastra del perno di articolazione. Continuando a sostenere la barra poggiapiedi, rilasciare le levette degli spinotti elastici per consentire a questi ultimi di inserirsi nella piastra del perno di articolazione. Assicurarsi che gli spinotti di entrambi i lati siano innestati. Vedere Figura E.

7. Ruotare leggermente la barra poggipiedi fino a quando il foro grande nella parte inferiore della barra non combacia con il rimanente foro filettato nella piastra del perno di articolazione.
8. Inserire il bullone con collare insieme a una rondella nel foro grande della barra poggipiedi. Con la chiave a brugola, avvitarlo il più possibile nel bullone con collare nella piastra del perno di articolazione. Ripetere l'operazione per l'altra parte. Vedere Figura E.

MONTAGGIO DEI MONTANTI

9. Rimuovere i perni di bloccaggio dal telaio. Inserire i montanti nei fori presenti sulla parte superiore del telaio. Girare i montanti in modo che le pulegge siano orientate verso il basso del telaio e rivolte verso la barra poggipiedi. Vedere Figura F.



Figura F

10. Reinscrivere i perni di bloccaggio finché l'anello di metallo tocca il telaio. Potrebbe essere necessario muovere o sollevare leggermente o ruotare il montante per riuscire a inserire completamente i perni di bloccaggio.

AGGANCIAMENTO DELLE CORDE

11. Per agganciare le corde, collegare prima almeno una molla dal carrello al telaio per tenere il carrello nella posizione iniziale. Srotolare le corde e separarle.
12. L'Allegro è dotato di corde Soft Touch prive di moschettoni per agganciare le asole. Niente più moschettoni che colpiscono o si trascinano sul telaio! Seguire le immagini per installare le asole. Vedere Figura G.

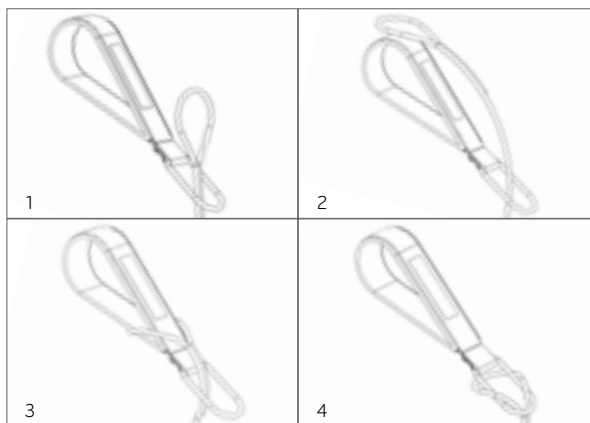


Figura G

13. Poggiare le asole sopra i poggiaspalle. Passare l'altro capo di ciascuna corda intorno alla puleggia di un montante, poi indietro negli strozzatori sul carrello per regolare la lunghezza. Assicurarsi di inserirle nelle fascette in cromo su entrambi i lati degli strozzatori. Per garantire una buona presa, spingere sempre con decisione la corda negli strozzatori.

CONSERVAZIONE DELL'ALLEGRO REFORMER

Impilamento

Per una dimostrazione di come impilare l'Allegro, guardare la parte Configurazione e Sicurezza del DVD Introduttivo/livello 1. Fissare le molle per evitare che il carrello si muova. Posizionare la barra poggipiedi nella posizione "Bassa". Rimuovere i poggiaspalle e conservarli negli intagli al lato testa del telaio. Abbassare il poggiatesta. Rimuovere i montanti e riporli negli appositi fori sui lati del telaio. Posizionare le corde e le asole all'interno del telaio dell'Allegro, ma non nel carrello. Alternare l'orientamento degli Allegro nell'impilarli. Inserire i piedini del lato testa sulla piattaforma verticale dell'Allegro in basso, e così via. Impilare al massimo 5 Reformer senza gambe (3 con gambe). Non impilare il Reformer con le Tower.

Posizionamento in verticale

Se il reformer è dotato di piattaforma verticale oversize, assicurarsi di rimuoverla prima di installare il reformer. Per riporre l'attrezzo in posizione verticale è assolutamente necessario che la barra poggipiedi dell'Allegro sia fissata e bloccata nella corretta posizione. Spostare e bloccare la barra poggipiedi nella posizione più vicina al lato piedi del telaio del Reformer. Abbassare la barra poggipiedi uno dalla posizione più alta. Sollevare il lato testa del telaio di Allegro fino all'altezza della vita. Quindi, alzare l'attrezzo in posizione verticale. Servirsi dei piedi per tenere ferma l'estremità con le ruote del telaio mentre si solleva la struttura in posizione verticale. In posizione verticale, l'Allegro poggerà sulla barra poggipiedi e sulle ruote di trasporto. Vedere Figura H.

PULIZIA E MANUTENZIONE

Pulizia

Dopo ogni utilizzo, pulire l'imbottitura del carrello, del poggiatesta, della barra poggipiedi e dei poggiaspalle con un panno soffice e un detergente neutro non abrasivo. Rimuovere la polvere e lo sporco che si depositano sulle guide e sulle ruote del carrello. Pulire regolarmente con un panno tutte le guide. Pulire settimanalmente il binario del perno di articolazione della barra poggipiedi. Pulire la struttura con un detergente delicato e non abrasivo. Mantenere le funi e le molle libere dalla polvere. Gli anelli di cotone possono essere lavati in lavatrice. Appendere per asciugare.

Lubrificazione

La scanalatura del perno di articolazione della barra poggipiedi può essere lubrificata con spray al silicone secco.

MANUTENZIONE

» Vedere la guida di sicurezza inclusa.

DOMANDE?

Contattare l'assistenza tecnica Balanced Body al numero 1-800-745-2838 (Stati Uniti e Canada) o al numero +1-916-388-2838.

Nuove Funzionalità della Barra Poggiapiedi per il Corpo Equilibrato® Sistema Stretch di Allegro®

REGOLAZIONE ORIZZONTALE DELLA BARRA POGGIPIEDI

L'Allegro è dotato di una barra poggiapiedi regolabile che può essere spostata al fine di soddisfare le esigenze di persone di diversa statura. Per spostare la barra, tirare verso l'esterno i pomelli neri alla base della barra poggiapiedi e ruotare di 90 gradi per sbloccarli. Spostare la barra in avanti o indietro fino a quando non sarà in linea con il foro desiderato presente sulla guida. Ruotare il pomello finché il perno si inserisce in un foro. Assicurarsi che il foro sia completamente impegnato.

- » Il **foro 1** è quello più vicino al lato piedi del Reformer e consente di ottenere la distanza massima tra il poggiaspalle e la barra poggiapiedi. È indicato per persone alte (oltre 1,91) o quando si desidera una minore flessione delle ginocchia e delle anche.
- » Il **foro 2** è indicato per persone di estatura compresa tra 1,82m e 1,91 m
- » Il **foro 3** è indicato per persone di statura compresa tra 1,75 m e 1,82 m
- » Il **foro 4** è indicato per persone di statura compresa tra 1,65 m e 1,75 m
- » Il **foro 5** è per utenti alti da 1,475 m e 1,65 m

I fori di riferimento per le diverse stature sono puramente indicativi. Le regolazioni della barra poggiapiedi dovrebbero consentire una flessione delle anche di poco inferiore a 90° quando il carrello è completamente in avanti per lo svolgimento degli esercizi per le gambe e i piedi.

REGOLAZIONE VERTICALE DELLA BARRA POGGIPIEDI

Per regolare verticalmente la barra, spingere entrambe le maniglie sulla parte inferiore della barra poggiapiedi fino a quando il perno si sgancia dalla piastra. Spostare la barra poggiapiedi all'altezza desiderata e rilasciare il perno nel foro.

- » **Barra verticale** - Spostare il perno nel foro più alto e rilasciare la maniglia. Questa posizione è lo spazio più corto tra i poggiaspalle e la barra poggiapiedi. Questa posizione è usata per far lavorare i piedi e le gambe degli utenti meno alti.
- » **Barra alta:** Spostare il perno nel 2° foro dall'alto e rilasciare la maniglia. Questa posizione accorcia lo spazio tra i poggiaspalle e la barra poggiapiedi. È indicata quando si eseguono esercizi per le gambe e i piedi e per persone che hanno difficoltà a mantenere la schiena in posizione a causa di un'eccessiva lordosi lombare o di una schiena rigida.

- » **Barra centrale** – Posizionare il perno nel 3° foro dall'alto sulla piastra. La posizione intermedia allunga lo spazio tra i poggiaspalle e la barra poggiapiedi. Questo riduce la flessione delle ginocchia durante gli esercizi per le gambe e i piedi e pone il torso in posizione eretta neutra.
- » **Barra bassa** – Posizionare il perno nel 4° foro dall'alto sulla piastra. La posizione bassa della barra aumenta lo spazio tra i poggiaspalle e la barra poggiapiedi fino alla distanza massima. Questo riduce la flessione delle ginocchia negli esercizi per le gambe e i piedi, la flessione del torso e delle anche negli esercizi "elephant" e può essere utile per le persone alte e con una maggiore flessibilità.
- » **Utilizzo senza barra:** posizionare il perno nel foro più basso della piastra. Questa posizione serve a rimuovere la barra per poter eseguire esercizi in posizione eretta o in posizione sdraiata sul box.

Si prega di fare riferimento al manuale per tutte le altre caratteristiche di Allegro.

MANOPOLE DI BLOCCAGGIO DEI PISTONI, FACILI DA USARE

Allegro® Reformer, Clinical Reformer® e Studio Reformer® di Balanced Body, con barre poggiapiedi Infinity, sono dotati di manopole di bloccaggio dei pistoni, che consentono, in maniera molto più agevole, la regolazione e il movimento della barra poggiapiedi lungo il telaio.

Per utilizzare il meccanismo, tirare la manopola del pistone verso l'esterno, in modo tale che il perno trasversale incassato venga fuori dagli alloggi, così come mostrato nella figura A. A questo punto, ruotare la manopola, in modo tale che il perno trasversale poggia sulla testa del bullone, così come mostrato nella figura B. Ripetere l'operazione dall'altro lato."

Con le manopole in posizione di "bloccaggio", ricollocare la barra poggiapiedi lungo il telaio del Reformer, all'altezza desiderata. Successivamente, ruotare le manopole, in modo tale che il perno trasversale venga di nuovo incassato, bloccando saldamente la barra poggiapiedi nella sua nuova posizione.

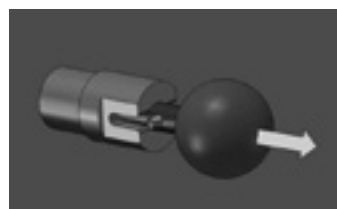


Figura A

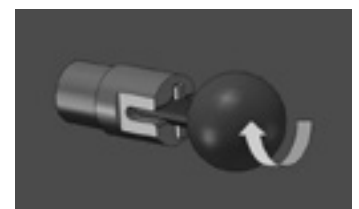


Figura B

Come installare e utilizzare l'Oversized Standing Platform

In caso di ordine di un Allegro Stretch Reformer, il macchinario sarà dotato di una Oversized Standing Platform inclinata, di tipo "Nuovo stile", e del relativo cuscinetto. In caso di ordine di un Allegro Reformer tradizionale, fare riferimento al paragrafo successivo, al fine di determinare quale piattaforma ordinare.

Determinare lo stile del proprio Allegro Reformer.

- » Se i binari che si trovano accanto al perno e alla Standing Platform presentano un buco fessurato, seguire le istruzioni relative al nuovo stile ed ordinare il componente 950-266; Oversized Standing Platform, A1b.
- » Se il reformer non mostra alcun alloggiamento nei binari, seguire le istruzioni relative al vecchio stile (foglio separato) e ordinare il componente 720-063; Oversized Standing Platform, A1b.

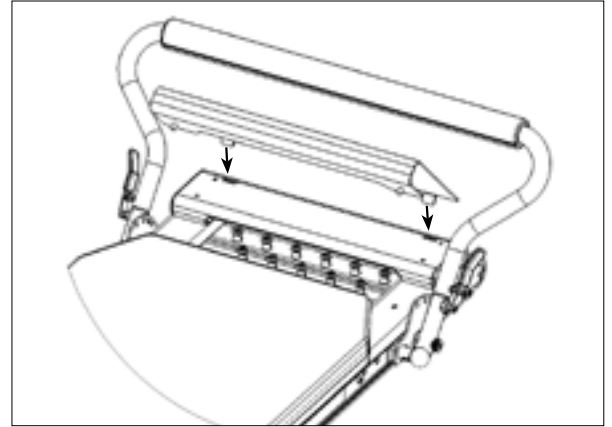


Figure B

NUOVO STILE

INSTALLAZIONE DI UNA OVERSIZED STANDING PLATFORM

1. Abbassare l'Oversized Standing Platform (O.S.P) inclinata sulla standing platform montata. Ci sono due linguette sull'O.S.P. che cadranno all'interno degli alloggi presenti sulla Standing Platform. I perni presenti sul lato inferiore saranno rivolti verso il carrello. Vedere fig. B.
2. Una volta installate le linguette dell'O.S.P., farle ruotare in avanti e verso il basso, in modo tale che i perni scendano nei binari e cadano all'interno degli alloggi ivi presenti. Vedere fig. C.
3. L'O.S.P. è ora pronta per l'utilizzo. Per accedere e sostituire le molle, inclinare l'O.S.P. verso l'alto e lontano dal carrello. Una volta ultimata la sostituzione, abbassare di nuovo l'O.S.P. sui binari.

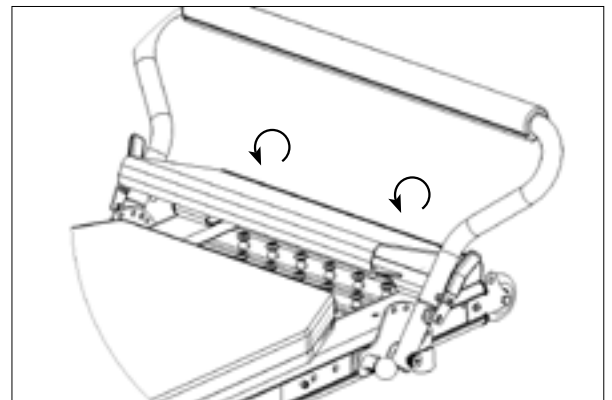


Figure C

Come installare ed utilizzare i cuscinetti della Standing Platform per l'Allegro® Stretch Reformer

L'Allegro Stretch Reformer è dotato di due cuscinetti per la Standing Platform, uno per la parte fissa e l'altro per la Oversized Standing Platform. Per utilizzarli, collocarli direttamente sulla Standing Platform. Questi cuscinetti porteranno la Standing Platform alla stessa altezza del cuscinetto del carrello. Vedere fig. A e fig. B.

Nota bene: è necessario rimuovere il cuscinetto più piccolo per installare l'O.S.P. Utilizzare solo un cuscinetto per volta.

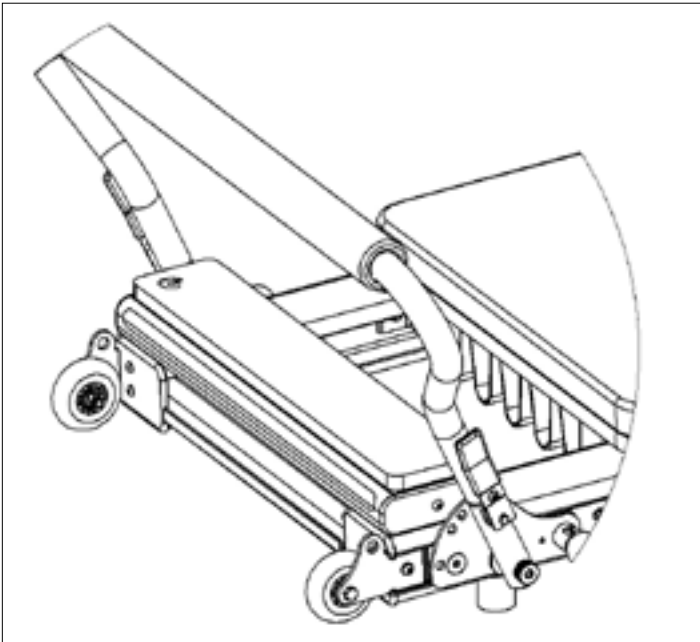


Fig. A - Cuscinetto per Standing Platform

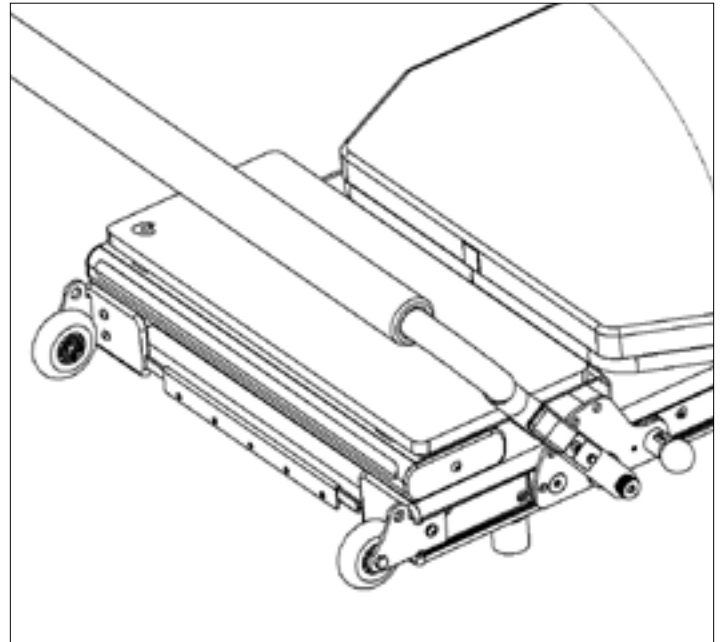


Fig. B - Cuscinetto per Oversized Standing Platform

Esercizi per Il Reformer

DEFINIZIONE DEI TERMINI D'IMPOSTAZIONE DEGLI ESERCIZI

- » **Livello:** il livello di esperienza richiesto per affrontare l'esercizio.
- » **Ripetizioni:** quante volte viene eseguito l'esercizio.
- » **Molle:** quante molle si dovrebbero attaccare per l'esercizio.
- » **Barra:** posizionamento corretto della barra poggiapiedi per l'esercizio.*
- » **Poggiatesta:** posizionamento corretto del poggiatesta per l'esercizio.*
- » **Anelli:** quali anelli dovrebbero essere usati per l'esercizio.*
- » **Concentrazione:** su cosa ci si deve concentrare durante l'esercizio.
- » **Precauzioni:** condizioni fisiche che possono limitare o escludere un partecipante. Per tali persone, potrebbe essere necessaria una modifica degli esercizi.
- » **Presupposti:** esercizi specifici di cui si deve avere padronanza prima di poter procedere a un nuovo esercizio.
- » **Posizione iniziale:** dove iniziare l'esercizio sul Reformer.

*Se applicabile

SICUREZZA E MANUTENZIONE

SICUREZZA

Per ridurre il rischio di lesioni o danni, leggere tutte le istruzioni e le seguenti precauzioni importanti prima di utilizzare l'Allegro Reformer Allegro Tower System.

- » È responsabilità del proprietario assicurarsi che tutti gli utenti dell'Allegro Reformer Allegro Tower System siano adeguatamente informati di tutte le precauzioni.
- » Utilizzare l'Allegro Reformer Allegro Tower System solo su una superficie piana.
- » Tenere le mani e i piedi lontani da tutte le parti in movimento. Quando l'Allegro Reformer Allegro Tower System non è in uso, lasciare almeno due molle collegate alla struttura.
- » Tenere i bambini con età inferiore a 12 anni e gli animali sempre lontani dall'Allegro Reformer Allegro Tower System.
- » In caso di sensazione di dolore, vertigini o mancanza di respiro, interrompere immediatamente l'esercizio.
- » Non restare in piedi sul poggiatesta.
- » Prima di iniziare qualsiasi programma di esercizi, consultare il medico.
- » Non posizionare l'Allegro Reformer Allegro Tower System in verticale senza il kit ruote.

MANUTENZIONE

- » In base alla frequenza d'uso, l'utilizzo sicuro delle molle è garantito da uno a due anni (3.000 ore). Sostituire eventuali molle attorcigliate, piegate o che presentano separazioni quando lo strumento non è in uso.
- » Se è necessario sostituire le corde, leggere le istruzioni riportate sul lato inferiore del carrello. Girare il Reformer su un fianco (posizionare un tappetino per pilates sul pavimento accanto al Reformer per proteggere la finitura) oppure metterlo in verticale se si dispone di ruote di trasporto.
- » Rimuovere capelli e sporcizia dagli assi delle ruote. La sporcizia può creare pressione sui cuscinetti, causandone l'usura. Se si sente un rumore proveniente dai cuscinetti, sostituirli. Se non si sente alcun rumore, i cuscinetti non necessitano di manutenzione.
- » Riparare eventuali strappi nel rivestimento con un kit di riparazione per rivestimenti disponibile nei negozi di ricambi auto oppure effettuare la riparazione in loco.
- » Contattare Balanced Body per altre opzioni relative ai rivestimenti e alle riparazioni. È disponibile un rivestimento sostitutivo Balanced Body
- » Controllare e serrare tutte le viti e i bulloni. Sostituire eventuali viti, perni di tenuta o altri componenti mancanti.
- » Controllare mensilmente i bulloni del poggiatesta per assicurarsi che siano sempre ben fissati.

PULIZIA

Dopo ogni utilizzo, pulire il pattino del carrello, il poggiatesta, il poggiatesta e i poggiaspalla con un panno morbido e una miscela delicata e non abrasiva di sapone e acqua. Mantenere la pista del carrello e le ruote libere da polvere e sporcizia. Pulire la struttura con una miscela delicata e non abrasiva di sapone e acqua. Rimuovere la polvere dalle corde e dalle molle. Gli anelli di cotone possono essere lavati in lavatrice. Appendere per asciugare.

ATTENZIONE: NON LUBRIFICARE NÉ INGRASSARE I COMPONENTI DELLA BARRA PER I PIEDI, IL CARRELLO, LE RUOTE O LE GUIDE. In caso di domande o problemi, contattare l'assistenza tecnica di Balanced Body. I componenti lubrificati o ingrassati potrebbero non bloccarsi in modo sicuro e diventare pericolosi.

In caso di domande, contattare l'Assistenza tecnica di Balanced Body al 1-800-PILATES, al numero +1-916-388-2838 oppure tramite e-mail all'indirizzo info@pilates.com.

ESERCIZIO PER LE GAMBE, TUTTI I LIVELLI

10 ripetizioni

Molle- da 2 – 4 molle

Barra- in mezzo o in alto

Poggiatesta- in su

Concentrazione

- » **Respirazione:** espirazione in distensione/inspirazione in contrazione o viceversa
- » Colonna vertebrale neutrale
- » Stabilità pelvica
- » Allineamento anca, gamba e caviglia
- » Irrobustimento anca, gamba e caviglia
- » Circolazione
- » **Isolamento:** rilasciare la tensione non necessaria nella parte superiore del corpo e nell'anca

Precauzioni

Sensibile alla flessione della caviglia, ginocchio e anca e alla compressione spinale

Posizioni iniziali

Supina sul carrello con i piedi sulla barra poggiapiedi e le gambe aperte di una larghezza pari all'anca

Calcagni

Calcagni sulla barra poggiapiedi, spingere indietro e ritornare

Dita dei piedi

Avampiede sulla barra, calcagni leggermente sollevati, spingere indietro e ritornare

Prensile

Avampiede avvolgente la barra, spingere indietro e ritornare

Pilates V

Avampiede sulla barra, releve basso, calcagni uniti, spingere indietro e ritornare in posizione

Flessione/Releve

Avampiede sulla barra, piedi paralleli, gambe stese, plantare che flette la caviglia, piegare le ginocchia, spingere indietro alla posizioni iniziale

2° posizione

Calcagni alle estremità della barra, leggermente ruotati all'infuori, spingere indietro e ritornare in posizione

Corsa sul posto

Avampiede sulla barra, flessione dorsale di un calcagno, piegare l'altro ginocchio, alternare le gambe da 20 a 50 volte



Calcagni



Dita dei piedi



Prensile



Pilates V



CHARIOT, LIVELLO 1

10 ripetizioni

Molle- 1 – 2

Barra- nessuna

Anelli- corti

Concentrazione

- » **Respirazione:** espirazione andando giù/inspirazione tirandosi su o viceversa
- » Flessibilità della colonna vertebrale
- » Forza addominale
- » Spalle in giù
- » Collo allungato
- » Non irrigidire i muscoli flessori dell'anca

Precauzioni

Lesioni dorsali, lesioni del collo, lesioni dei muscoli flessori dell'anca. Fare attenzione nei casi di osteoporosi

Presupposti

Sentirsi a proprio agio con la flessione della colonna vertebrale

Posizione iniziale

Seduti guardando le funi, ginocchia piegate, anelli in mano con le braccia distese senza irrigidire i gomiti

Esercizio standard

Tenere gli anelli con le braccia distese, abbassarsi con la schiena curva e mantenersi sollevati, rialzarsi mantenendo una leggera flessione della colonna vertebrale

Variazione obliqua

Ruotare le ginocchia da un lato e il torso dal lato opposto, abbassarsi, invertire la rotazione delle ginocchia e del torso e sollevarsi

Variazione con esercizio delle braccia

Abbassarsi e con il fondo della schiena sul carrello fare dei curl di bicipite o sollevamenti di deltoide ripetendo 3 volte e quindi sollevarsi



CENTO, TUTTI I LIVELLI

10 set

Molle- 1 – 3

Barra- nessuna

Anelli- regolari

Poggiatesta- in su

Concentrazione

» **Respirazione di percussione:** in 5 volte e fuori 5 volte

» **Bacino stabile:** appiattito o neutrale

» Addominali cavi

» Forza addominale

» Spalle in giù

» Collo allungato

Precauzioni

Lesioni dorsali, lesioni del collo, lesioni dei muscoli flessori dell'anca, osteoporosi

Presupposti

Cento sul mat (materassino)

Posizione iniziale

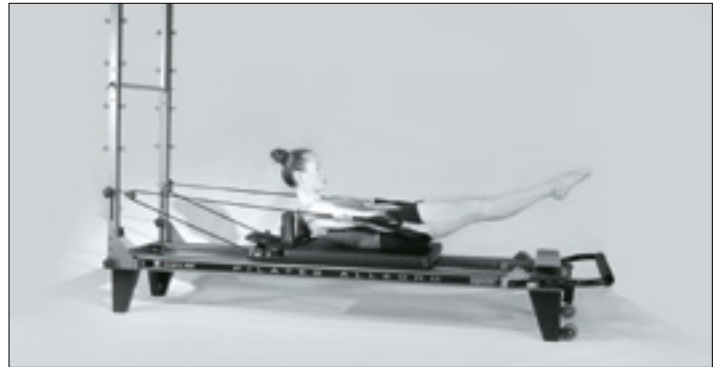
Distesi supini o sul carrello, ginocchia a 90 gradi, mani sugli anelli, braccia verso il soffitto

Livello 1

Con le ginocchia piegate a 90 gradi, estendere le braccia a lato del corpo alzando dal carrello la testa e la parte superiore del corpo, far pulsare le braccia al ritmo del respiro

Livello 2

Con le gambe diritte verso il soffitto, estendere le braccia a lato del corpo alzando dal carrello la testa e la parte superiore del corpo, far pulsare le braccia al ritmo del respiro



COORDINAZIONE, LIVELLO 2

6 ripetizioni

Molle- 1 – 2

Barra- nessuna

Anelli- regolari

Poggiatesta- in su

Concentrazione

» **Respirazione:** inspirare all'inizio, espirare in estensione, inspirare in apertura/chiusura, espirare in ritorno

» Bacino stabile- appiattito o neutrale

» Addominali cavi

» Forza addominale

» Rafforzamento dei muscoli adduttori

» Spalle in giù

» Collo allungato

Precauzioni

Lesioni dorsali, lesioni del collo, lesioni dei muscoli flessori dell'anca, fare attenzione nei casi di osteoporosi.

Presupposti

Cento su mat o Reformer

Posizione iniziale

Sdraiati sul carrello in posizione supina, ginocchia a 90 gradi, mani sugli anelli con gomiti piegati a 90 gradi e parte superiore delle braccia sulla panca

Esercizio standard

Estendere le braccia a lato del corpo sollevando dal carrello la testa e la parte superiore del corpo sino a raggiungere la posizione Cento, piegare le gambe e quindi abbassare la testa e riportare le braccia alla posizione iniziale



ADDOMINALI IN INVERSIONE, LIVELLO 4

10 ripetizioni

Molle- 1 – 2

Barra- nessuna

Anelli- regolari

Concentrazione

- » **Respirazione:** espirare quando si tirano su le ginocchia, inspirare in distensione
- » Forza addominali
- » Forza muscolo ileopsoas
- » Coordinazione muscoli addominali e ileopsoas
- » Colonna vertebrale appiattita
- » Spalle in giù
- » Collo allungato

Precauzioni

Lesioni dorsali, lesioni del collo, lesioni dei muscoli flessori dell'anca, osteoporosi

Presupposti

Roll-up (flessioni in avanti) su mat, addominali forti, capacità di mantenere la colonna vertebrale appiattita

Posizione iniziale

In posizione supina guardando le funi con la colonna vertebrale appiattita, le ginocchia a 90 gradi, gli anelli attorno alle ginocchia, testa supportata dalle mani, gomiti allargati

Esercizio standard

Mantenendo la colonna vertebrale appiattita, incavare gli addominali e tirare le ginocchia al di sopra di 90 gradi mentre si flette il torso e si solleva la testa dal poggiatesta, riportare le gambe alla posizione iniziale mantenendo la colonna vertebrale appiattita

Variazione obliqua

Ruotare il torso a destra, estendere la mano sinistra verso il ginocchio di destra, tirare le ginocchia verso il torace mentre il braccio si muove trasversalmente (ripetere da 4 a 8 volte dalla stessa parte e quindi cambiare lato)



ADDOMINALI IN GINOCCHIO, LIVELLO 1 - 2

10 ripetizioni

Molle- 0 – 2

Barra- nessuna

Anelli- nessuno

Concentrazione

- » **Respirazione:** espirare quando le ginocchia vengono tirate in dentro/inspirare ritornando alla posizione iniziale
- » Stabilità pelvica
- » Forza addominale
- » Stabilità pelvica
- » Stabilità scapolare

Precauzione

Difficoltà alle spalle, gomiti e polsi, incapacità di mettersi in ginocchio

Presupposti

Incavare in quadrupedia sul mat (addominali gatta gravida)

Posizione iniziale

Inginocchiarsi a gattoni rivolti verso le cinghie, con le mani posate sui bordi laterali del telaio della panca

Esercizio standard (schiena piatta)

Guardando le cinghie con le ginocchia appoggiate contro i poggia-spalla e tenendo la colonna vertebrale in posizione neutrale parallela al terreno, tirare il carrello in avanti verso la testa flettendo le anche

Variazione- obliquo 1

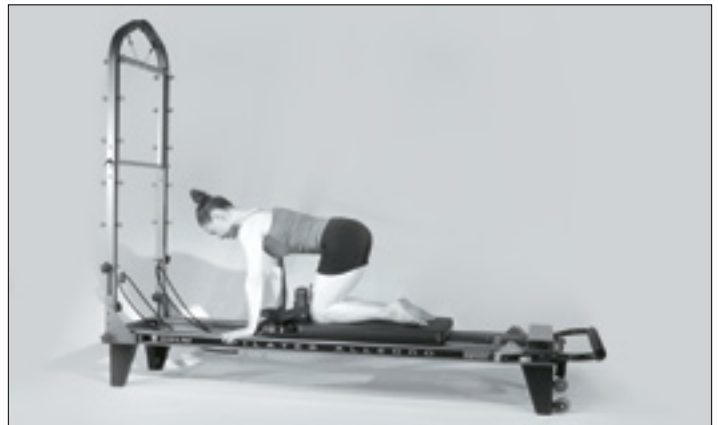
Mettere entrambe le mani sullo stesso lato del telaio lasciando che il torso si pieghi di lato e ruoti mentre le anche rimangono il più possibile dritte e quindi tirare in su entrambe le gambe aumentando la rotazione del torso

Variazione- una sola gamba 1

Sollevare una gamba dal carrello e mettere il ginocchio dietro la coscia opposta, tenendo le spalle il più squadrate possibile tirare su una gamba tenendo la schiena per quanto possibile in posizione neutrale



Posizione iniziale, rivolti verso le cinghie



Schiena piatta



Obliquo 1



Una sola gamba 1

PIEDI NELLE CINGHIE, LIVELLO 1

6 ripetizioni

Preparazione- 2 molle

Barra- una qualsiasi

Anelli- regolari

Concentrazione

- » **Respirazione:** espirazione in distensione/inspirazione in contrazione o viceversa
- » Colonna vertebrale al mat o in posizione neutra
- » Addominali cavi
- » Forza addominali
- » Stabilità pelvica
- » Forza muscoli posteriori delle cosce, muscoli adduttori e glutei
- » Flessibilità muscoli posteriori delle cosce e muscoli adduttori
- » Allineamento gamba anca
- » Campo di movimento dell'anca

Precauzioni

Lesione al muscolo flessore dell'anca, limitata flessibilità dei muscoli posteriori delle cosce, lesioni alla schiena, addominali deboli

Presupposti

Adeguate flessibilità dei muscoli posteriori delle cosce, abilità di stabilizzare il dorso, Cento

Posizione iniziale

Posizione supina sul carrello, anelli attorno agli archi

Abbassamenti gambe

Anche stabili, iniziare con le cosce unite all'interno, abbassare e alzare le gambe

Variazioni- gambe parallele, girate in dentro o in fuori con Magic circle (cerchio magico) o una palla tra le gambe

Sforbiciate

Anche stabili, iniziare con le cosce unite all'interno, aprire le gambe sui lati e riportarle alla posizione iniziale

Variazioni: le gambe rimangono al di sopra delle anche, le gambe si muovono in giù verso la barra mentre il carrello si sposta (V)

Movimenti in cerchio

Anche stabili, iniziare con le cosce unite all'interno, muovere le gambe in basso e in circolo descrivendo dei cerchi o delle D, cambiare direzione. **Variazioni-** gambe parallele, girate in dentro o in fuori, o ginocchia nelle cinghie



BOX (PARALLELEPIPEDO) LUNGO- ESERCIZIO BRACCIA, LIVELLO 1-3

4 – 8 ripetizioni

Molle- 1 – 2 molle

Box- lungo

Anelli- regolari

Barra- bassa o senza

Concentrazione

- » **Respirazione:** inspirazione in trazione, espirazione in distensione
- » Ossa dell'anca al mat
- » Addominali cavi
- » Forza tricipite, trapezoide inferiore e dorso superiore
- » Testa in linea
- » Posizionamento scapole
- » Allineamento gamba e torso

Precauzioni

Lesioni alle spalle, gomiti e polsi, alcune difficoltà dorsali

Presupposti

Capacità di distendersi in posizione prona

Tirare le cinghie (livello 1 e 2)

Posizione iniziale

Distesi in posizione prona sul box lungo con il torace sporgente oltre il bordo del box, con la barra poggia piedi in giù, guardando le funi, afferrare le funi.

Braccia in giù

Tirare le funi verso l'anca lungo il bordo del carrello

Braccia in fuori a lato

Tirare le funi estendendo le braccia all'infuori sui fianchi

Sollevamento del dorso superiore

Tirare le funi lungo i bordi del carrello sollevando la parte superiore della schiena

Pressa-tricipite

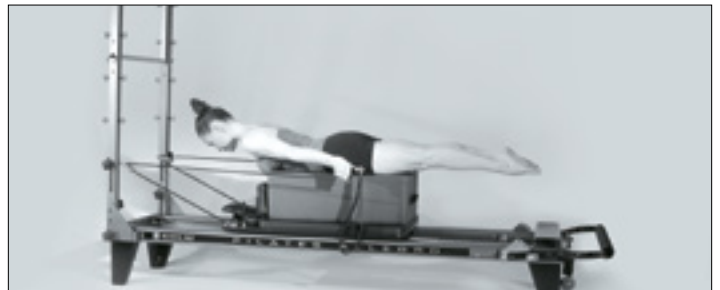
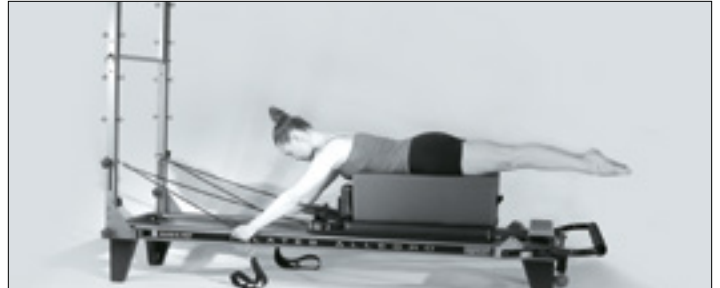
Tirare le funi verso l'anca lungo il bordo del carrello, flettere ed estendere i gomiti tenendoli in posizione

COBRA (LIVELLO 2)

Posizione iniziale

In posizione prona sul box lungo, rivolti verso la barra poggia piedi bassa o media, mani sulla barra.

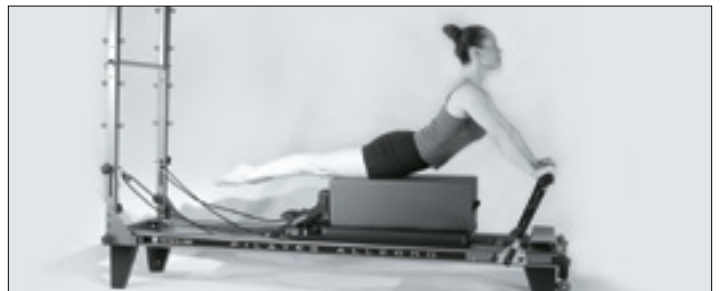
Spingere in fuori per distendere le braccia, spingere verso il basso, sulla barra per estendere il dorso, fare pressing per riportare il torso in piatto, piegare i gomiti.



Tirare le cinghie



Tirare le cinghie sollevando la parte superiore del dorso



Cobra

BOX CORTO- ADDOMINALI, TUTTI I LIVELLI

6 ripetizioni

Molle- 4 - 5

Box- corto

Cinghia- cinghia per i piedi

Asta nelle mani

Concentrazione

» **Respirazione:** inspirare abbassandosi/esprire rialzandosi o viceversa

» Rafforzamento addominali

» Depressione addominali

» Rafforzamento del dorso

» Flessibilità dorsale

Precauzioni

Lesioni alla schiena, collo e spalle, osteoporosi

Presupposti

Chariot su Reformer, Roll-backs (flessioni indietro) su Cadillac

Posizione iniziale

Seduti sul box corto, rivolti verso la barra poggiapiedi, piedi sotto la cinghia per i piedi, ginocchia leggermente piegate

Esercizio standard

Flettersi indietro con una lunga curvatura e rialzarsi

Variazione obliqua

Flettersi indietro con una lunga curvatura, ruotare il torso da entrambi i lati, rialzarsi



SOLLEVAMENTO DEL BACINO, LIVELLO 2

6 ripetizioni

Molle- 2 - 3

Poggiatesta- giù

Concentrazione

- » **Respirazione:** espirare alzando, inspirare ritornando, espirare in sollevamento, espirare in ritorno
- » Rafforzamento muscoli posteriori delle cosce e glutei
- » Depressione addominali
- » Stabilità pelvica
- » Mobilità della colonna vertebrale

Precauzioni

Difficoltà alla schiena, limitata flessione delle ginocchia, ridurre il sollevamento in caso di difficoltà cervicali

Presupposti

Pressa-bacino al mat

Posizione iniziale

Distesi in posizione supina, avampiede o calcagno sulla barra, gambe parallele o piedi a V e anche leggermente ruotate in fuori

Esercizio standard

Sollevare il bacino dal carrello, spingere indietro, tenendo le anche a un livello spostare il carrello e riabbassarsi

Posizioni delle gambe

Gambe parallele, calcagni sotto la tuberosità ischiatica (parte posteriore del bacino)

Gambe parallele con l'interno delle cosce unito

Gambe in posizione Pilates V con calcagni uniti

Calcagni divaricati della larghezza del telaio con anche ruotate in fuori.



ESERCIZI PER LE BRACCIA, LIVELLO 1 - 2

4 - 10 ripetizioni

Molle- 1-2

Box- lungo, corto o senza

Anelli- molto corti, corti o regolari

Concentrazione

- » **Respirazione:** inspirazione in trazione/espiazione in distensione
- » Rafforzamento bicipiti, tricipiti, pettorali e deltoidi
- » Stabilizzazione scapolare
- » Stabilizzazione torso
- » Posizione a sedere

Precauzioni

Difficoltà ai polsi, alle braccia o spalle, difficoltà dorsali che limitano la capacità di stare seduti

Presupposti

Nessuno

Variazioni di posizione seduta per tutti gli esercizi

Seduti sul carrello, a gambe incrociate, gambe distese o in ginocchio

Esercizi rivolti verso le cinghie

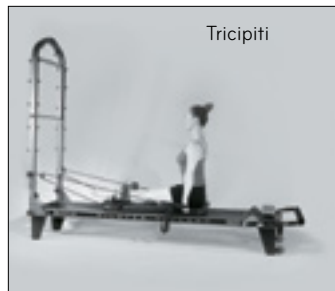
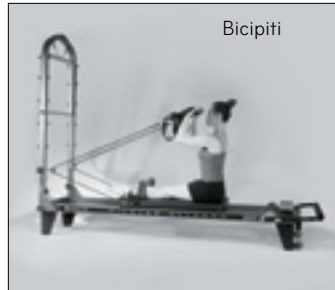
Bicipiti: Impugnando gli anelli molto corti, piegare i gomiti e tirare le cinghie verso le spalle.

Tricipiti/deltoide posteriore:

Impugnando gli anelli, braccia distese, tirare indietro le cinghie a livello dei fianchi e pulsare le braccia indietro

Porgere il vassoio

Seduti rivolti verso la barra poggiapiedi, impugnando gli anelli regolari, gomiti piegati, estendersi in avanti, distendere le braccia, allargare le braccia con i palmi delle mani rivolti in alto e ritornare



IN PIEDI, LIVELLI 1 - 3

8 ripetizioni

Molle- 0 -1 molla

Piattaforma fissa

Concentrazione

- » **Respirazione:** espirare fuori, inspirare dentro
- » Rafforzamento adduttori e abduttori
- » Depressione addominali
- » Allineamento in piedi
- » Equilibrio

Precauzioni

Difficoltà a tenersi in equilibrio

Presupposti

Nessuno

Posizione iniziale

In piedi con un piede sul telaio o sulla piattaforma fissa e l'altro sul carrello Rivolti verso il lato della stanza parallelo al fianco del Reformer. Mettere il primo piede sul telaio e il secondo sul carrello. Usare il telaio per esercizi in parallelo, usare la piattaforma fissa per esercizi con rotazione verso l'esterno.

Esercizio standard

Aprire le gambe, richiudere le gambe

Rivolti longitudinalmente al Reformer

Variazioni della posizione della gamba

Gambe diritte, parallele, ruotate in fuori

Gambe piegate, parallele, ruotate in fuori



Esercizi con Allegro[®] Tower

DEFINIZIONE DEI TERMINI D'IMPOSTAZIONE DEGLI ESERCIZI

- » **Livello:** il livello di pratica richiesto per affrontare l'esercizio.
- » **Ripetizioni:** quante volte viene eseguito l'esercizio.
- » **Molle:** numero e posizione delle molle sulla tavola Trapeze.
- » **Anelli:** quali anelli dovrebbero essere usati per l'esercizio.*
- » **Concentrazione:** quale deve essere il centro dell'attenzione durante l'esercizio.
- » **Precauzioni:** condizioni fisiche che possono limitare o escludere dal partecipare. Per tali utenti, si potrà richiedere una modifica degli esercizi.
- » **Presupposti:** esercizi specifici di cui si deve avere padronanza prima di poter procedere a un nuovo esercizio.
- » **Posizione iniziale:** dove iniziare l'esercizio sul Reformer.

*Se applicabile

FLESSIONI INDIETRO, LIVELLO 1

6 -10 ripetizioni

Molle- 2 molle lunghe gialle, oppure 2 molle corte gialle agganciate in posizione alta Barra Rollback o impugnature.

Concentrazione

- » **Respirazione:** espirare in discesa, inspirare nella posizione supina, espirare in risalita
- » Equilibratura addominali e estensori lombari
- » Non irrigidire il collo e le spalle
- » Mantenere la curvatura a C
- » Non irrigidire i muscoli flessori dell'anca

Precauzioni

Difficoltà alle spalle e al collo, alcune difficoltà al fondo schiena, osteoporosi

Posizione iniziale

Seduti rivolti verso la parte aperta del Cadillac, tenendo in mano la barra o le impugnature, ginocchia non rigide, piedi sulle barre metalliche.

Esercizio standard

Tenere la barra con le braccia distese, abbassarsi con la schiena curva e sollevata, sollevarsi mantenendo una leggera flessione della colonna vertebrale

Variazione obliqua

Barra di legno (sci acquatico)

Seduti diagonalmente sulla tavola, mettere il piede sinistro contro l'asta, incrociare il piede destro sopra la caviglia, mettere la mano sinistra sulla barra ed estendere il braccio destro aprendolo mentre si ruota il torso a destra.

Sollevarsi e abbassarsi mantenendo la posizione ruotata, quindi scambiare lato.



Flessioni indietro



Sci acquatico

PIEDI NELLE CINGHIE, LIVELLO 1

6 – 10 ripetizioni

Molle- molle lunghe dalla posizione intermedia o alta

Anelli attorno alle caviglie o archi

Concentrazione

- » **Respirazione:** espirazione in distensione/inspirazione in contrazione o viceversa
- » Colonna vertebrale neutrale
- » Addominali cavi
- » Stabilità pelvica
- » Forza tendini, muscoli adduttori e glutei
- » Flessibilità muscoli posteriori delle cosce e muscoli adduttori
- » Allineamento gambe

Precauzioni

Lesioni alla schiena, alcune lesioni alle ginocchia e sforzi dei muscoli posteriori delle cosce

Posizione iniziale

Distesi in posizione supina con la testa rivolta verso l'Half Trapeze, le asole intorno agli archi.

Abbassamenti gambe

Con entrambe le gambe nelle cinghie Velcro o negli anelli e con l'interno delle cosce unito, abbassare la tavola e mantenere stabilità pelvica.

Variazioni: posizioni parallela, ruotata in fuori, ruotata in dentro, tenendo tra le gambe una palla o Magic circle

Movimenti in cerchio

Con entrambe le gambe nelle asole, disegnare dei cerchi con le gambe in entrambe le direzioni, tenendo fermo il bacino.

Variazioni- posizione parallela, ruotata in fuori, ruotata in dentro

Sforbiciate

Con entrambe le gambe nelle asole, tirare le gambe verso la tavola, quindi aprire e chiudere le gambe, tenendo fermo il bacino.

Variazioni: posizione parallela, ruotata in fuori, ruotata in dentro

Camminare

Con entrambe le gambe nelle asole, tirare verso la tavola, alternandole, prima una gamba e poi l'altra, tenendo sempre fermo il bacino.

Variazioni: posizione parallela, ruotata in fuori, ruotata in dentro



Abbassamenti gambe



Movimenti in cerchio



Camminare (molle in posizione alta)



PIEDI NELLE CINGHIE, DISTESI SU UN FIANCO.
POTENZIAMENTO DEGLI ADDUTTORI, LIVELLO 1-3

6 -10 ripetizioni

Molle- 2 molle lunghe agganciate in posizione intermedia

Anelli intorno agli archi

Concentrazione

- » **Respirazione:** espirare in giù/inspirare in su
- » Posizione corretta distesi sul fianco (vita in su, anche e spalle in linea)
- » Addominali cavi
- » Stabilità pelvica e isolamento della gamba dal bacino
- » Rafforzamento adduttori, muscoli mediali delle cosce e rotazione esterna

Precauzioni

Alcune lesioni alla schiena, lesioni alle ginocchia e giunti sacroiliaci instabili

Posizione iniziale

Distesi su un fianco sull'Allegro Tower, con la schiena allineata al bordo posteriore del materassino, gambe leggermente in avanti. Sostenere il corpo facendo forza col braccio inferiore contro l'asta verticale o posando la testa sul braccio.

Posizionare l'asola intorno all'arco.

Esercizio standard

Tirare la gamba soprastante verso la gamba sottostante.
Mantenere la corretta posizione distesi sul fianco.

Variazioni: in posizione parallela, ruotata all'infuori (maggiore spazio per muoversi), ruotata all'interno

Ovali

Mantenendo il corretto allineamento, muovere la gamba superiore descrivendo piccoli cerchi in entrambe le direzioni.

Variazioni: posizione parallela, ruotata in fuori, ruotata in dentro

Calcio avanti-indietro

Mantenendo il corretto allineamento, spostare la gamba superiore avanti e indietro (come nell'esercizio di calcio laterale sul mat).

Variazioni: posizione parallela, ruotata in fuori, ruotata in dentro



Trazione adduttori



Calcio avanti-indietro



ESERCIZI PER PIEDI E GAMBE, LIVELLO 1

10 ripetizioni

Molle- 2 molle lunghe viola, agganciate in posizione bassa sulla barra Push-through, Cinghia di sicurezza indossata

Concentrazione

- » **Respirazione:** inspirazione in spinta, espirazione in ritorno
- » Colonna vertebrale al mat o in posizione neutra
- » Allineamento gamba, caviglia e piede
- » Flessibilità polpacci e muscoli posteriori delle coscie
- » Forza piede, caviglia e parte inferiore della gamba

Precauzioni

Lesioni alla schiena, lesioni alle ginocchia

Piegamenti e flessione plantari

Posizione iniziale

In posizione supina sull'Allegro Tower, con i piedi sulla barra Push-through e le molle agganciate in posizione bassa alla barra Push-Through

Piegamenti

Distesi supini con la barra passante in linea con la piega anteriore dell'anca, flettere le ginocchia, flettere le anche, con i metatarsi o i calcagni sulla barra, e distendere le gambe e ritornare in posizione.

Variazioni della posizione dei piedi: Calcagni, dita dei piedi

Variazioni per le gambe: parallele, ruotate all'infuori, piedi a V, 2° posizione larga, una sola gamba

Plies/Releve

Distesi in posizione supina con la barra passante allineata con la piega anteriore dell'anca, anche in flessione, ginocchia piegate, metatarsi o dita dei piedi sulla barra.

Spingere la barra in alto verso il soffitto distendendo le ginocchia, eseguire la flessione plantare della caviglia, la flessione dorsale della caviglia e ritornare.

Variazioni- gambe parallele, ruotate all'infuori, una sola gamba

Flessione plantare

Distesi in posizione supina con la barra passante allineata con la piega anteriore dell'anca, gambe diritte, metatarsi o dita dei piedi sulla barra, eseguire la flessione plantare o dorsale delle caviglie.

Variazioni: gambe parallele, ruotate all'infuori, una sola gamba, corsa sul posto



Piegamenti



Flessione plantare - 2 gambe



Flessione plantare - Gambe alternanti

SPINTA PASSANTE DA SEDUTI, LIVELLO 1

6 ripetizioni

Molle- 1 molla corta rossa agganciata in posizione alta alla barra Push-through

Concentrazione

- » **Respirazione:** espirare durante la flessione in avanti, ispirare durante lo stiramento in alto o viceversa
- » Flessione ed estensione della colonna vertebrale
- » Flessibilità muscolo posteriore della coscia
- » Stabilità/mobilità scapolare
- » Depressione e sollevamento addominali
- » Coordinazione della respirazione con il movimento della spina dorsale

Precauzioni

Alcune lesioni alla schiena, lesioni alle spalle

Presupposti

Flessione della spina dorsale al mat

Posizione iniziale

Seduti sulla tavola rivolti verso l'estremità tower, con i piedi contro le aste verticali, e con entrambe le mani sulla barra passante (le ginocchia possono essere stese o piegate secondo la propria flessibilità).

Esercizio standard

Spingere la barra in basso, curvare la spina dorsale in avanti iniziando dalla testa, estendere la barra in avanti ed eseguire lo stiramento.

Ritornare abbassando gli addominali e impilando le vertebre una sull'altra sino a raggiungere la posizione seduta sulla tuberosità ischiatica (parte posteriore del bacino).

Prima di ricominciare, premere la barra in alto e flettersi in avanti dai fianchi mantenendo la schiena piatta



GATTO, LIVELLO 3

4 ripetizioni

Molle- 2 molle dal disopra della barra Push-Through

Concentrazione

- » **Respirazione:** espirare abbassandosi, inspirare estendendosi all'infuori, espirare tirandosi indietro, ispirare rialzandosi.
- » Flessibilità della colonna vertebrale
- » Stabilità/mobilità scapolare
- » Depressione e sollevamento addominali
- » Coordinazione della respirazione con il completo movimento della spina dorsale

Precauzioni

Lesioni alla schiena, lesioni alle spalle, lesioni alle ginocchia e osteoporosi

Presupposti

Stiramento gatto/cammello al mat

Posizione iniziale

In ginocchio sulla tavola, mani sulla barra passante tenendo la barra vicino al corpo.

Esercizio standard

Premere la barra verso il basso e flettere la colonna vertebrale iniziando dalla testa

Estendere la barra mano a mano che la colonna vertebrale si allunga in estensione

Ritornare tirando in dentro gli addominali e curvando la spina in flessione prima di riposizionare le vertebre una sull'altra per riportarsi alla posizione iniziale. (Tenere le anche premute in avanti sulle ginocchia il più possibile)



SEGA CIRCOLARE, LIVELLO 2

4 ripetizioni

Molle- 2 molle corte gialle, agganciate in posizione alta alla barra Push-through

Concentrazione

- » **Respirazione:** espirare durante lo stiramento, inspirare durante il movimento circolare all'infuori, espirare in estensione, inspirare durante il movimento circolare di ritorno
- » Flessibilità della colonna vertebrale durante la rotazione
- » Stabilità/mobilità scapolare
- » Depressione e sollevamento addominali
- » Coordinazione della respirazione con il movimento completo della spina dorsale

Precauzioni

Alcune lesioni alla schiena, lesioni alle spalle

Presupposti

Sega al mat

Posizione iniziale

Seduti sulla tavola rivolti verso l'estremità Tower (torre), con i piedi contro le barre verticali, la mano destra che spinge in su sulla barra passante, la mano sinistra che si estende verso il piede destro.

Esercizio standard

Estendere con movimento arcuato la mano sinistra verso il piede destro e continuare il movimento circolare del braccio all'infuori in un cerchio, lasciando che il torso si sposti indietro mantenendo il sollevamento addominale e l'integrità del torso finché la mano sinistra non sia arrivata sopra il braccio destro verso il piede destro.

Inversione del cerchio

Eseguire quattro ripetizioni usando entrambe le braccia, mantenere la tuberosità ischiatica (parte posteriore del bacino) ancorata per ottenere stabilità pelvica (oppure alzare leggermente una parte per aumentare lo stiramento).



DUE BRACCIA DA SEDUTI, LIVELLO 1-2

4 – 10 ripetizioni

Molle- 1 - 2 molle corte rosse agganciate in posizione alta sulla barra Push-through

Perno o asta imbottita

Concentrazione

- » **Respirazione:** espirazione in trazione, espirazione in rilascio o viceversa
- » Stabilità e mobilità scapolare
- » Spalle in giù
- » Depressione addominali
- » Bilanciamento sulla tuberosità ischiatica (parte posteriore del bacino)

Precauzioni

Lesioni alle spalle, modificare in caso di adduttori rigidi

Posizione iniziale

A cavalcioni di fronte alla Tower, con le mani sulla barra Push-through, o seduti a gambe incrociate all'interno del telaio della barra Push-through.

Si può anche stare in piedi fuori dell'Allegro di fronte alla Tower.

Tirare giù con l'asta

Tenere il perno o asta imbottita il più largo possibile con i palmi rivolti verso di sé.

Tirare in giù, facendo attenzione a non irrigidire il collo e la parte superiore delle spalle.

Riportare la barra alla posizione iniziale senza sollevare le spalle.



Tirare giù con l'asta

Le concept Allegro : Balanced Body Allegro® Reformer Allegro® Tower of Power

CECI EST UN DISPOSITIF MÉDICAL.

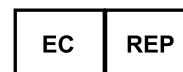
Englisch: ab Seite 1
Spanisch: ab Seite 50
Italienisch: ab Seite 103
Französisch: ab Seite 156
Deutsch: ab Seite 206
Chinoisch: ab Seite 259



Déclaration spécifiant l'usage prévu

L'appareil Reformer Allegro® Tower of Power a été conçu pour être utilisé à des fins de physiothérapie, de réhabilitation, de prévention, de traitement et de soulagement des blessures, de thérapie fonctionnelle et de soutien dans le cadre d'un handicap, ou de renforcement global et d'amélioration de la mobilité du corps humain. Si une blessure se produit au cours de l'utilisation, signaler au fabricant et à l'autorité compétente de l'État membre dans lequel l'utilisateur et / ou le patient est établi.

Pour obtenir des instructions imprimées, contactez Balanced Body.



EMERGO EUROPE
Prinsessegracht 20
2514 AP The Hague
The Netherlands



IMPORTANT :

Ce manuel est destiné aux professionnels de la santé et du conditionnement physique, ou aux personnes sachant déjà utiliser cet équipement. Si vous avez une question concernant la pertinence d'un mouvement particulier, veuillez consulter un professionnel de la santé qualifié.

Note de sécurité : Attention – L'appareil Allegro contient des matériaux inflammables, veuillez le garder loin des flammes ou d'une source de chaleur directe.

INTRODUCTION

Le système Allegro est conçu pour vous permettre d'associer les fonctions de l'appareil Allegro Reformer et de la Tour Allegro (Allegro Tower) ou du Demi-Trapèze (Half Trapeze) en un seul équipement Pilates compact et portable. La Tour Allegro peut être installée sur n'importe quel système Allegro et permet d'effectuer des exercices supplémentaires sans augmenter l'empreinte carbone de l'appareil. Le manuel suivant décrit les caractéristiques de l'appareil Allegro Reformer et de la Tour Allegro et propose des exercices.

Balanced Body est un fabricant à notoriété internationale d'équipements indispensables à la pratique du Pilates ; la société dispense également l'éducation et l'information s'y référant. Le système Studio Reformer de Balanced Body est le Reformer le plus vendu sur la planète, et l'appareil Allegro Reformer dicte désormais les normes du Pilates dans les clubs de santé et de conditionnement physique du monde entier.

CONSEILS DE MONTAGE (À LIRE EN PREMIER)

- » Si vous montez un appareil Allegro Reformer sans un kit de pieds, utilisez ce mode d'emploi.
- » Si vous montez un appareil Allegro Reformer avec un kit de pieds, installez d'abord les pieds, puis montez ensuite le Reformer.
- » Si vous montez un appareil Allegro Reformer avec un système de Tour, mais pas de kit de pieds, suivez ce mode d'emploi pour le Reformer et passez ensuite à la section sur le système de Tour.
- » Si vous montez un appareil Allegro Reformer avec un système de Tour et un kit de pieds, installez d'abord le kit de pieds, et ensuite le système de Tour. Pour gagner du temps, ne réinstallez pas les plaques matelassées du rail du repose-tête comme décrit à la fin du mode d'emploi du kit de pieds. Celles-ci devront être enlevées afin d'installer le système de Tour.
- » Si vous montez un Allegro Stretch Reformer, reportez-vous à la page 168. Pour les fonctionnalités de la barre Allegro Stretch, reportez-vous à la page 171.

Caractéristiques du système Allegro® de Balanced Body®

REPOSE-TÊTE

Le repose-tête est utilisé pour soutenir de façon optimale la tête, le cou et les épaules de l'utilisateur lorsque celui-ci est en position couchée. L'Allegro offre trois hauteurs de repose-tête ajustable grâce à un levier situé sous le repose-tête :

- » **Basse (à plat)** – Le levier est replié vers le haut du repose-tête. Utilisé pour le travail des jambes et des pieds, et pour tout exercice en position couchée des clients ayant une colonne dorsale relativement plate et une cage thoracique peu profonde.
- » **Note de sécurité** : La position basse du repose-tête est utilisée pour tous les exercices où le client se roule sur ses épaules. Un repose-tête en position basse retiendra le client de trop fléchir ses vertèbres cervicales et se blesser au cou.
- » **Moyen** – Le levier repose sur l'encoche du milieu du bloc de support.
- » **Élevée (haute)** – La partie inférieure du bloc de support repose sur le charriot. Utilisé afin de favoriser un alignement correct des clients portant la tête vers l'avant ou ayant une cage thoracique profonde.

Note à l'attention de l'instructeur : Une serviette peut également être utilisée en plus ou à la place du repose-tête afin d'ajuster la hauteur de la tête

BOUTONS DE VERROUILLAGE À PISTON FACILES À UTILISER.

Le Allegro® Reformer, le Clinical Reformer® et le Studio Reformer® de Balanced Body avec leur barre de pieds Infinity sont fournis avec des boutons de verrouillage à pistons qui permettent de régler et déplacer la barre de pieds du Reformer facilement le long du châssis.

Pour les utiliser, tirer le bouton à piston en ligne droite afin que les broches transversales sortent de leurs encoches comme le montre la Figure A. Puis, faire pivoter le bouton pour que les broches s'appuient sur la tête du boulon comme le montre la Figure B. Répéter l'opération de l'autre côté."

Avec les boutons en position verrouillée, placer la barre de pieds dans la position souhaitée le long de votre Reformer. Puis tournez les boutons afin que les broches rentrent dans leur encoche, fixant ainsi la barre de pieds dans sa position.

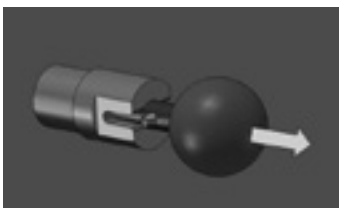


Figure A

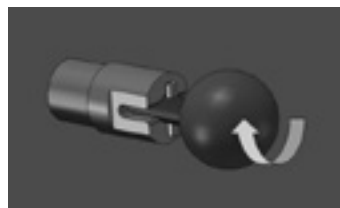


Figure B

REGLAGES DE LA BARRE DES PIEDS HORIZONTALE

L'appareil Allegro est équipé d'une barre de pieds réglable qui permet une adaptation ergonomique à la taille des utilisateurs. Pour déplacer la barre des pieds, tirez les boutons ronds noirs au bas de la barre des pieds et tournez-les à 90 degrés pour les bloquer. Faites glisser la barre des pieds vers l'avant ou vers l'arrière jusqu'à ce qu'elle soit alignée avec le trou désiré sur le charriot. Tournez le bouton jusqu'à ce que la goupille rentre dans un trou. Assurez-vous que celle-ci soit complètement insérée.

- » **Le Trou 1** se trouve le plus près de la barre des pieds du système Reformer et offre la plus grande distance entre les supports d'épaules et la barre des pieds. Il sert aux utilisateurs de grande taille (plus de 6 pi) soit 1,82m ou lorsqu'une flexion moins grande des hanches et des genoux est souhaitée.
- » **Le Trou 2** sert aux utilisateurs entre 5.9 (1,79m) pi et 6 pi (1,82m).
- » **Le Trou 3** sert aux utilisateurs entre 5.5 (1,67m) pi et 5.9 pi (1,79m).
- » **Le Trou 4** sert aux utilisateurs entre 4.10 (1,24m)pi et 5.5 pi (1,67m).

Les tailles mentionnées ici ne sont que des suggestions. Le réglage de la barre des pieds devrait permettre à l'utilisateur d'obtenir un peu moins de 90 degrés de flexion des hanches lorsque le charriot est au maximum lors du travail des jambes et des pieds.

REGLAGES DE LA BARRE DES PIEDS VERTICALE

Afin de régler verticalement la barre des pieds, appuyez sur la poignée située en bas de la barre, et ceci jusqu'à ce que la goupille se dégage de la table. Déplacez la barre des pieds à la hauteur souhaitée et relâchez la goupille dans le trou.

- » **Barre haute** – Déplacez la goupille dans le trou le plus élevé et relâchez la poignée. La position haute réduit l'espace entre les supports d'épaules et la barre des pieds. Cette position est utilisée lors des exercices des pieds et des jambes avec des utilisateurs plus petits, et avec des utilisateurs ayant de la difficulté à garder la position du dos à cause d'une lordose lombaire augmentée ou d'un dos endolori.
- » **Barre moyenne** – Placez la goupille dans le 2e trou du haut sur la table. La position moyenne rallonge l'espace entre les supports d'épaules et la barre des pieds. Cela diminue la flexion des genoux lors d'exercices des pieds et des jambes et place le torse dans une position neutre debout.

- » **Barre basse** – Placez la goupille dans le 3e trou sur la table. La position basse offre la longueur maximale entre les supports d'épaules et la barre des pieds. Cela diminue la flexion des genoux lors d'exercices des pieds et des jambes, diminue la flexion du torse et des hanches en position de l'éléphant et peut être utile aux utilisateurs de grande taille ou plus souples.
- » **Sans barre** – Placez la goupille dans le trou le plus bas sur la table. Cette position est utilisée pour retirer la barre lors d'exercices en position debout et d'exercices où l'utilisateur est couché sur le cadre.

REGLAGES DES RESSORTS

Les ressorts servent à régler la résistance pour différents exercices. Il existe au moins 30 combinaisons de résistance différentes pouvant être utilisées sur l'appareil Allegro. Des fourchettes de poids suggérées sont disponibles pour chaque exercice.

MODIFICATION DES POINTS DE FIXATION DES RESSORTS

Sur l'appareil Allegro, la tension des ressorts est ajustée en fixant différentes combinaisons de ressorts aux chevilles sous la plate-forme stationnaire. Afin de régler en toute sécurité les ressorts, assurez-vous que le charriot est en position de repos.

- » **Position normale** – Placez le ressort sur la cheville juste en face de celui-ci. Dans cette position, les ressorts sont sans tension au départ. Ceci est la position « B ». Il y a cinq positions « B ».
- » **Position de précontrainte** – Placez le ressort sur la cheville juste à gauche ou à droite, sous la plate-forme stationnaire. Cette position va mettre les ressorts en tension légère et augmentera la résistance de ceux-ci. Ceci est la position « A ». Il y a six positions « A ».

HAUTEUR DES RESSORTS

La résistance des ressorts est indiquée par le nombre approximatif de ressorts suggéré lors d'un exercice spécifique. La hauteur du ressort spécifiée est une position de départ recommandée. Des adaptations individuelles peuvent être faites en fonction des besoins des utilisateurs et de l'exercice à effectuer.

- » 1 ressort (léger) : principalement utilisé lors du travail des bras ou lorsque le charriot procure un support léger.
- » 2 ressorts (léger à modéré) : utilisé lors du travail des bras, des jambes et des exercices où le charriot procure un soutien à l'utilisateur.

- » 2 - 4 ressorts (modéré à lourd) : principalement utilisé lors du travail des jambes et afin d'augmenter la résistance des ressorts pour les utilisateurs plus forts.
- » Tous les ressorts : utilisé afin de porter la résistance à son maximum ou pour stabiliser le charriot lors des séries abdominales en cadre court.
- » Aucun ressort : utilisé afin de rajouter une difficulté aux exercices où l'utilisateur doit contrôler le charriot (abdominaux à genoux, position de l'éléphant, séries d'étirement longs).

PROGRESSIONS DE LA HAUTEUR DES RESSORTS DE L'ALLEGRO

Veillez noter que ces combinaisons de ressorts représentent la progression habituelle d'un appareil standard neuf et peuvent varier légèrement en fonction de l'âge et de la force de vos ressorts. La meilleure façon de trouver les progressions optimales pour votre appareil est de le tester vous-même.

CODAGE COULEUR DES RESSORTS

Ces codes de couleurs sont standards pour tous les appareils de Balanced Body

Jaune - Très léger

Bleu - Léger

Rouge - Moyen

Vert - Lourd

CORDES ET BOUCLES

Les cordes sont ajustées en fonction des demandes spécifiques de l'exercice et de la taille de l'utilisateur. Afin de minimiser les réglages de cordes, les sangles à doubles boucles permettent à l'utilisateur de les saisir à deux longueurs différentes sans avoir à les régler.

Les réglages de cordes utilisés dans ce manuel sont les suivants :

- » Boucles régulières : la résistance de la boucle ou de la poignée est un peu tendue sur les supports d'épaules. Avec les sangles à doubles boucles, l'utilisateur tiendra la boucle la plus longue. Ceci est la norme pour la plupart des exercices.
- » Boucles courtes : la résistance de la boucle ou de la poignée est quelque peu tendue sur les chevilles noires. Avec les poignées à doubles boucles, l'utilisateur tient la plus petite boucle. Utilisé pour faire de l'aviron et quelques exercices des bras.
- » Boucles très courtes : la boucle ou la poignée est d'environ 5 centimètres plus courte que le repose-tête. Utilisé lors d'un travail des bras en position à genoux face aux sangles comme pour l'expansion de la poitrine ou des étirements des cuisses.

» Boucles longues : la boucle ou la poignée est plus longue que le support d'épaules d'une longueur de boucle en coton. Utilisé lors d'étirements longs de la colonne vertébrale ou pour mettre les pieds dans les sangles chez les utilisateurs avec des muscles ischio-jambiers tendus.

EXTENSEURS

Les extenseurs peuvent être ajustés en desserrant le bouton qui maintient la poulie dans la fente de la Tour, et en la déplacement vers le haut ou vers le bas.

LA TOUR ALLEGRO (ALLEGRO TOWER)

La Tour Allegro se compose d'un cadre en métal qui se fixe à la tête de l'appareil Allegro Reformer. Les anneaux de levage du cadre fournissent des points de fixation pour les ressorts. Les boucles, les poignées ou une barre en bois peuvent être fixées aux ressorts créant ainsi une grande variété d'exercices. La Tour Allegro dispose également d'une barre de poussée « Push-trough ».

POINTS DE FIXATION DES RESSORTS

La Tour Allegro dispose de 24 points de fixation des ressorts créant ainsi une grande variété d'exercices et une quantité illimitée de réglages. Chaque montant a 5 anneaux de levage à l'avant et 5 à l'arrière permettant aux utilisateurs d'effectuer des exercices de chaque côté de la Tour. Deux anneaux de levage sont fixés au cadre de l'Allegro afin de créer une position basse, deux anneaux de levage sont disponibles sur les côtés de la voûte de la Tour et un anneau est attaché au point central le plus haut. Cet anneau de levage sert à tenir la sangle de sécurité en place. N'attachez PAS de ressort à cet anneau de levage. Les points partagés de fixation de ressorts sont énumérés ci-dessous et dans la description de chaque exercice.

Lors du réglage de la tension des ressorts pour un client particulier, déplacez le point de fixation loin du client afin que le ressort devienne plus lourd, et rapprochez-le du client pour le rendre plus léger.

Position basse : Les ressorts sont attachés aux anneaux de levage au bas du cadre de l'Allegro. Ces ressorts sont utilisés pour maintenir la barre de poussée « Push-trough » en position.

Position centrale : Les ressorts sont attachés au troisième anneau de levage à partir du bas.

Position haute : Les ressorts sont attachés aux points hauts de chaque côté de la voûte en haut de la Tour Allegro.

LES RESSORTS DE LA TOUR ALLEGRO (ALLEGRO TOWER)

La Tour Allegro est livrée avec 4 jeux de ressorts :

2 jeux - ressorts courts

Jaune - Très léger Bleu - Léger

2 jeux - ressorts longs

Jaune - Très léger Violet - Moyen

REGLAGES DE LA BARRE DE POUSSEE « PUSH-TROUGH »

La barre de poussée « Push-trough » offre trois points de pivot sur le châssis de la Tour. Le réglage de la barre de poussée « Push-trough » se fait en appuyant sur le bouton sur le dessus de la goupille en T afin de la libérer. Retirez les goupilles des montants, placez la barre dans le trou approprié et réinsérez les goupilles. Toujours remettre la barre de poussée à une hauteur sécuritaire si celle-ci a été déplacée.

NOTE DE SECURITE :

Il est très important que l'instructeur soit présent et supervise le client lorsque la barre de poussée « Push-trough » est utilisée.

Il est très important que le point de pivot soit assez haut afin d'éviter la tête des utilisateurs lorsqu'ils sont allongés dessous. Si un client a une particulièrement grosse tête, une cyphose dorsale prononcée ou un grand nez, la barre peut le frapper lorsqu'il fait des exercices. La barre de poussée « Push-through » ne doit jamais être réglée en position tellement basse qu'elle peut frapper un client qui est allongé dessous. La sangle de sécurité doit toujours être utilisée lorsque la barre de poussée « Push-through » est tirée vers le bas. La sangle de sécurité doit être ajustée de sorte que l'angle de la barre de poussée, vue de côté, ne soit pas inférieur à la position à quatre ou à huit heures et qu'elle ne touchera pas le client si ses pieds glissent de la barre.

NETTOYAGE ET DESINFECTION DE LA GARNITURE.

Vous pouvez prolonger la durée de vie de votre garniture en la gardant propre et exempte de saleté, de taches d'huile et de transpiration. Après chaque utilisation, nettoyez la garniture avec une solution de savon doux et d'eau. Ensuite, essuyez-la avec de l'eau propre et séchez-la avec un chiffon.

La sécurité avant tout : un guide pour un bon entretien et une utilisation sûre de votre équipement Pilates.

Depuis plus de 35 ans, Balanced Body introduit des innovations en matière de sécurité dans les équipements Pilates. Beaucoup de nos améliorations sont maintenant des normes de l'industrie, ce qui rend cet équipement Pilates plus sûr que jamais.

La sécurité dépend d'une maintenance appropriée et d'une utilisation sûre, en plus de la qualité de l'équipement. Ce guide a été créé pour vous aider à utiliser et entretenir votre équipement pour une sécurité optimale. Veuillez le lire attentivement et le conserver pour référence future. Si vous avez des questions, appelez-nous. **Le non-respect de ces instructions peut entraîner la mort ou des blessures graves.**

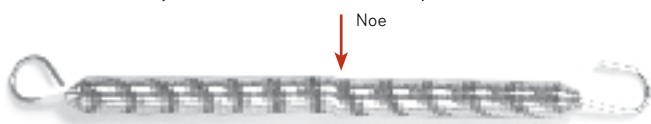
TOUS LES ÉQUIPEMENTS

Ressorts

Le contrôle des ressorts est essentiel au maintien de votre équipement en bon état de fonctionnement. Tous les ressorts Balanced Body doivent être remplacés au moins tous les deux ans. Certains environnements et certaines utilisations peuvent raccourcir la durée de vie prévue des ressorts et vous pouvez être amené(e) à remplacer les ressorts plus fréquemment. Par conséquent, il est très important d'inspecter régulièrement les ressorts car des ressorts usés ou vétustes peuvent être moins résistants et se casser au cours de l'utilisation. Des blessures peuvent survenir si un ressort se brise pendant l'utilisation.

Pendant l'utilisation, ne laissez pas les ressorts se détendre de manière incontrôlée. Cela endommagerait le ressort et raccourcirait sa durée de vie prévue.

Contrôlez les ressorts et vérifiez qu'ils sont intacts et qu'ils ne présentent pas de noeuds (fréquence hebdomadaire ou mensuelle, selon l'utilisation). Vérifiez que le ressort est intact et qu'il n'y a pas de noeuds entre les spirales lorsque le ressort est au repos. Il arrive que le ressort ait un tout petit espace sur l'extrémité effilée (un espace est parfois créé pendant le processus de fabrication). Cependant, il ne devrait y avoir aucun espace dans le corps du ressort. Si vous voyez des espaces ou des noeuds dans le corps du ressort, arrêtez l'utilisation et remplacez les ressorts immédiatement. Voir **figure 1**. En outre, la corrosion des spirales peut raccourcir la durée de vie du ressort. Cessez d'utiliser le ressort immédiatement si vous voyez de la rouille ou de l'oxydation au cours de l'inspection.



Mousquetons

Contrôlez l'état d'usure des mousquetons (mensuellement). Tout d'abord, vérifiez que le mousqueton fonctionne correctement.

Si le mousqueton ne se rétracte pas et ne se remet pas correctement en place, arrêtez immédiatement d'utiliser le ressort et remplacez le mousqueton. Les boulons à œil peuvent provoquer une usure excessive des mousquetons.

Si le crochet présente une usure importante, cessez immédiatement d'utiliser le ressort et appelez Balanced Body pour remplacer le ressort ou le mousqueton. Voir **figure 2**.



Figure 2 : mousqueton correct : Aucune usure du crochet.



Mousqueton incorrect : Usure excessive du crochet

BOULONS A ŒIL, ECROUS ET BOULONS

Vérifiez que tous les boulons à œil, écrous et boulons sont bien serrés. Voir la section intitulée « Comment inspecter et serrer les écrous et les boulons ».

CORDES ET SANGLES

Usure de la corde et de la sangle (tous les trois mois). Les cordes doivent être remplacées si le corps de la corde devient visible à travers le revêtement extérieur ou si les cordes sont aplaties. Les sangles doivent être remplacées dès que l'on observe un effilochage. Vérifiez également les sections de corde ou de sangles qui se fixent aux clips et traversent les poulies.

REFORMERS

Vérifiez les crochets ou boulons à œil de la barre à ressort (tous les trimestres). Balanced Body fabrique deux systèmes de barres à ressort différents :

- » barre à ressort Revo. Assurez-vous que les crochets et la poignée de la barre à ressort sont bien serrés.
- Barre à ressort standard. Vérifiez que les écrous fixant les crochets de la barre à ressort sont bien serrés. Voir la section intitulée « Comment inspecter et serrer les écrous et les boulons ».

Rotation des ressorts (tous les trois mois). Vous pouvez prolonger la durée de vie des ressorts Reformer en faisant tourner des ressorts du même poids chaque trimestre. Débranchez et déplacez vers une autre position sur la barre à ressort. Les ressorts rotatifs permettent une usure plus uniforme.

Extenseurs sur l'extérieur. Les élévateurs en bois doivent être installés à l'extérieur du cadre. Les élévateurs peuvent se desserrer avec le temps, assurez-vous donc toujours qu'ils sont bien serrés.

Ressorts accrochés vers le bas sous le chariot. Assurez-vous que les ressorts sont accrochés vers le bas. Voir figure 3.



Figure 3 : Ressorts accrochés vers le bas

Fixation du chariot. Lorsque votre Reformer n'est pas utilisé, assurez-vous qu'au moins deux ressorts assurent le maintien du système.

Valeurs par défaut. De nombreux utilisateurs ont un « paramètre par défaut » pour les Reformers. À la fin d'une session, l'utilisateur connecte un nombre prescrit de ressorts en tension neutre, règle la barre de pied à une hauteur prédéterminée et fixe les cordes à une longueur spécifiée. Cela garantit que l'équipement est prêt pour la prochaine utilisation et que le chariot est sécurisé par les ressorts.

Sangle de pieds sous tension en boîte. Lorsque vous utilisez la boîte et la sangle de pieds, assurez-vous que la sangle de pieds est sous tension (avec les mousquetons tirant du haut du boulon à œil) avant de commencer l'exercice. Voir figure 4.



Figure 4 : Sangle des pieds sous tension

ENTRETIEN DES ROUES ET DES RAILS DU REFORMER

Nettoyez les rails et les roues (une fois par semaine). Pour un déplacement en douceur du chariot et pour maintenir la longévité des roues, nous vous recommandons d'essuyer les rails une fois par semaine.

Déconnectez les ressorts et nettoyez les rails avec un chiffon doux et un nettoyant Balanced Body, du savon doux et de l'eau ou un nettoyant du commerce doux comme Fantastik® ou 409®. N'utilisez pas de nettoyants ou des chiffons abrasifs, car ils peuvent endommager l'anodisation sur les rails. Pour nettoyer les roues, maintenez le chiffon contre les roues en déplaçant le chariot. Si vous sentez une aspérité sont correctement alignés avec les trous PTB et verrouillés dans leur position. Appliquez une force vers le bas pour maintenir en

Ne lubrifier pas les 2 rails Allegro 2.

Supports de barre de pieds (tous les trois mois). Pour tous les repose-pieds Balanced Body avec supports de repose-pieds, vérifiez que la vis de pivot fixant le support de repose-pieds est serrée, mais elle ne doit pas empêcher le support de tourner librement. Pour les Legacy Reformers, serrez le boulon de pivot pour fixer le support de la barre de pied.

Appui-tête (tous les mois). Assurez-vous que les vis et boulons de charnière de votre appui-tête sont bien serrés.

Sous le Reformer (tous les mois). Déplacez les Reformers et nettoyez l'espace au sol se situant au-dessous.

Pare-chocs de plate-forme verticale (Reformers en bois uniquement). Si vos pare-chocs de barre de pied de plate-forme verticale (les petits morceaux de plastique qui protègent la plate-forme verticale de la barre de pied) sont cassés ou endommagés, veuillez appeler Balanced Body pour les remplacer.

TABLE DE TRAPEZE (CADILLAC) ET TOURS

Retrait des goupilles fendues. Goupilles fendues retirées. Ces broches sont situées dans les tubes verticaux qui alignent la structure sur le cadre et doivent être retirées dès que l'installation est terminée. Les goupilles fendues non retirées peuvent déchirer les vêtements et lacérer la peau. Utilisez des pinces pour retirer les broches. pour démonter et remonter la table à des fins de transport. Voir figure 5.



Figure 5 : Goupille fendue avant et après le retrait de la table Trap

Courseurs de la barre Push-through (PTB). La PTB se déplace verticalement pour accueillir différents utilisateurs et exercices. Les curseurs sur les tubes permettent ce mouvement vertical. Assurez-vous que ces curseurs sont propres et faciles à déplacer. Avant de commencer tout exercice, assurez-vous que les curseurs sont correctement alignés avec les trous PTB et verrouillés dans leur position. Appliquez une force vers le bas pour maintenir en place. Si vous remarquez une usure are properly aligned with the PTB holes and locked into position. Apply a downward force to ensure. If you notice wear on des roues.

Lubrification. Ne vaporisez jamais de silicone à proximité ou à l'intérieur des roues - cela pourrait éliminer le lubrifiant des roulements et endommager les roulements. Vous pouvez acheter du silicone sec dans la plupart des magasins de matériel et de pièces automobiles. Les poulies doivent parfois être lubrifiées en cas de grincement.

Dirigez un jet très rapide de silicone sec ou de téflon dans la poulie. Le silicone « sec » n'est pas constitué d'une base huileuse. Le silicone à base d'huile (« humide ») et le WD40 ne doivent pas être utilisés car ils attirent la saleté. Faites attention à ne pas trop vaporiser. Vous devrez peut-être retirer les cordes pour éviter de mettre du silicone dessus.

Maintenance hebdomadaire pour les barres Push-Through avec curseurs. Vérifiez que les broches des boutons du piston dépassent et se verrouillent dans les tubes verticaux. Tirez les deux boutons vers l'extérieur et déplacez les curseurs dans une position différente. Relâchez les boutons avant le trou suivant et continuez à faire glisser le système jusqu'à ce qu'il soit positionné. Au niveau du trou, la broche du bouton tombera automatiquement dans l'ouverture. Une fois que chaque curseur est dans une nouvelle position, appliquez une force vers le bas sur la PTB. Les broches des curseurs ne doivent pas sortir des trous. Si les broches ne restent pas dans les trous du tube, les boutons de traction doivent être remplacés. Appelez Balanced Body pour obtenir des pièces de rechange.

Barre Push-Through (PTB) avec réglage des broches en T. Pour les exercices à ressorts inférieurs, si la tête de votre client est en dessous de la PTB, utilisez le réglage de la broche en T en plus de la sangle ou de la chaîne de sécurité. Il est fortement recommandé de surveiller votre client. Ceci est important pour la sécurité.

Commande de la barre PTB (Push-Through Bar). Assurez-vous d'avoir suffisamment d'espace autour de la table trap pour utiliser la PTB en sans craindre de blesser d'autres personnes. La PTB peut être dangereuse en cas d'utilisation incorrecte. Seuls les utilisateurs formés et expérimentés doivent utiliser la PTB. Un coach doit toujours garder le contrôle de la barre d'une seule main. Si l'utilisateur perd le contrôle de la barre, le coach peut en garder le contrôle.



Figure 6: sangle de sécurité maintenant la barre traversante à 4 heures. La sangle est fixée au cadre PTB et à la structure, pas aux boulons à œil.

Fixation correcte de la sangle de sécurité. Pour les exercices à ressorts inférieurs, la sangle ou la chaîne de sécurité doit toujours fixer la barre.



Figure 7: sangle de sécurité maintenant la barre traversante à 4 heures. La sangle est fixée au cadre PTB et à la structure, pas aux boulons à œil.

La sangle ou la chaîne de sécurité doit s'enrouler autour de la PTB et du cadre de la structure, pas des boulons à œil. La sangle ou la chaîne est aussi solide que le maillon le plus faible, et le cadre et la barre sont beaucoup plus solides que les boulons à œil. Figure 6.

Il est fortement recommandé de surveiller votre client. Ceci est important pour la sécurité. **Figure 6.**

Réglage de la PTB pour les exercices à ressorts inférieurs. Pour les exercices à ressorts inférieurs, la sangle de sécurité doit être fixée de sorte que l'angle de la barre traversante ne soit pas inférieur à la position 4 heures. Cela limite la portée de la barre et l'empêche d'entrer potentiellement en contact avec l'utilisateur.

L'utilisation du 4ème côté de la PTB avec la sangle de sécurité est fortement recommandée pour éviter les blessures.

Supports à ressort sablier. Si votre chaise a des supports à ressorts en sablier et que les supports ne retiennent pas correctement les ressorts, remplacez-les.



Figure 8 : Rondelle en fibre

Figure 8. Si votre chaise est une chaise à pédales à pas divisés à corps équilibré (chaise combinée), veuillez envisager de passer au Cactus Springtree.

NETTOYAGE ET ENTRETIEN DU REVÊTEMENT

Nettoyage. Vous pouvez prolonger la durée de vie de votre revêtement en le gardant propre et exempt de saleté, de graisse et de transpiration. Après chaque utilisation, essuyez le revêtement avec une solution de savon doux et d'eau. Essuyez ensuite avec de l'eau propre et séchez avec une serviette douce.

Désinfection. Le revêtement des équipements est recouvert de BeautyGard®, qui offre une protection antibactérienne. Si vous souhaitez une désinfection supplémentaire, Balanced Body propose une solution de désinfection Balanced Body Clean™. L'utilisation de toute autre solution (en particulier celles contenant des huiles essentielles) raccourcira la durée de vie de certains équipements et n'est pas recommandée.



Figure 9: Serrez les boulons avec deux doigts

COMMENT INSPECTER ET SERRER LES ÉCROUS ET LES BOULONS.

Utilisez vos doigts pour vérifier si les écrous et les boulons sont bien serrés. Si vous pouvez tourner l'écrou ou le boulon avec vos doigts, il doit être resserré. Pour serrer, tournez d'abord avec vos doigts. Faites tourner les écrous et les boulons dans le sens des aiguilles d'une montre pour serrer. Insérez un tournevis à travers les boulons à œil pour les maintenir stables pendant que vous serrez les écrous.

Il est fortement recommandé de surveiller votre client. Ceci est important pour la sécurité.

Utilisez ensuite une petite clé pour serrer davantage les écrous.

CHAISES

Démontez avec précaution. Lors du démontage de la chaise, relâchez lentement les pédales, avec précaution. Ne laissez pas la pédale s'enclencher.

Surveillez les utilisateurs. Lorsqu'un utilisateur est debout, assis ou couché sur le dessus de la chaise, le risque de chute augmente. Les exercices effectués debout, en particulier, peuvent créer de l'instabilité. Surveillez les utilisateurs pour augmenter la sécurité lors de ces exercices.

Il est recommandé de vérifier les broches de la PTB qui dépassent et de les verrouiller correctement dans les tubes verticaux. Pour vérifier leur fonction, tirez d'abord les deux boutons et commencez à déplacer les curseurs vers une position différente. Relâchez les boutons avant le trou suivant et continuez à faire glisser le système jusqu'à ce qu'il soit positionné. La broche du bouton tombera automatiquement dans l'ouverture du trou. Une fois que chaque curseur est dans une nouvelle position, appliquez une force vers le bas sur la PTB, directement vers le bas. Les broches des curseurs ne doivent pas sortir des trous. Si les broches ne restent pas dans les trous du tube, les boutons de traction doivent être remplacés ; appelez Balanced Body pour obtenir des pièces de rechange.

JOURNAL D'INSPECTION ET DE MAINTENANCE DE L'ÉQUIPEMENT

Nous vous suggérons de tenir un journal de maintenance pour chaque pièce d'équipement. Le journal devrait comprendre :

1. une description de la machine, notamment le numéro de série, la date et le lieu d'achat et le fabricant. Toutes ces informations devraient figurer sur la facture.
2. Date et description de tous les entretiens et inspections nécessaires effectués.
3. Date et description de chaque réparation, notamment le nom et les coordonnées de la personne ou de l'entreprise qui a effectué la réparation.

CALENDRIER D'ENTRETIEN

Tout l'équipement	Jour	Sem.	Mois	Tri.
Inspectez les ressorts et vérifiez s'il n'y a pas d'espaces ou de noeuds.		✓	✓	
Vérifiez l'état d'usure des mousquetons			✓	
Vérifiez si les écrous et les boulons sont bien serrés			✓	
Reformers				
Roues et rails propres		✓		
Inspectez les crochets / boulons à œil de la barre à ressort				✓
Rotation des ressorts				✓
Inspectez les cordes / sangles				✓
Inspectez les supports de barre de pieds				✓
Inspectez les barres de ressort en une étape				✓

PIÈCES DE RECHANGE

Pour commander des pièces de rechange ou si vous avez des questions, veuillez appeler :

États-Unis et Canada : 1-800-PILATES (1-800-745-2837)

Royaume-Uni : 0800 014 8207

Autres zones : +1 916-388-2838

Fax: 916-379-9277

E-mail : info@pilates.com www.pilates.com

5909 88th Street, Sacramento, CA 95828 USA

[Cliquez ici](#) pour consulter les données de brevet du corps équilibré.

ASSEMBLAGE ET ENTRETIEN DES PODCASTS

Montage de l'appareil Allegro® Reformer

LISTE DES PIÈCES

N° de référence	Description	Qté
950-002	Barre des pieds complète	1
950-020	Boulons à épaulement et rondelles	1 kit
950-228	Supports d'épaules avec crochets	1 paire
616-400	Montants d'épaules à verrous	2
GEN8000	Boutons à piston à verrouillage par rotation	2
210-070	Cordes douces « Soft Touch »	1 paire
210-064	Doubles boucles (« Soft Touch »)	1 paire
950-225	Extenseur Allegro avec poulie	2
GEN9050	Clé Allen de 5/16 po	1
ALL0060	Clé Allegro	1
SPR9070	Ressort rouge	3
SPR9071	Ressort bleu	1
SPR9241	Ressort jaune	1
UPH7040	Coussinet en mousse pour la plateforme de travail	1

PRÉCAUTIONS IMPORTANTES : PRIÈRE DE LIRE AVEC ATTENTION

Pour réduire le risque de blessure grave, veuillez lire ces précautions importantes avant d'utiliser le système Allegro.

- » Veuillez lire toutes les instructions d'utilisation de ce manuel avant d'utiliser le système Allegro. Avant d'utiliser l'appareil, regardez la vidéo consacrée à l'installation et à la sécurité, incluse avec le système Allegro. Utilisez le système Allegro conformément aux instructions d'utilisation et à la vidéo.
- » Le propriétaire du système a la responsabilité de s'assurer que tous les utilisateurs de l'Allegro connaissent toutes les précautions à prendre.
- » Utilisez le système Allegro uniquement sur une surface horizontale. Tenez les mains et les pieds à l'abri des pièces mobiles. Quand le système Allegro n'est pas utilisé, laissez au moins deux ressorts fixés au charriot. Les enfants de moins de 12 ans et les animaux domestiques ne doivent jamais se trouver à proximité du système Allegro.
- » En cas de douleurs, d'étourdissements ou d'essoufflements, arrêtez immédiatement tout exercice.
- » Avant de commencer un programme d'exercices physiques, consultez votre médecin.



INSTALLATION DES SUPPORTS D'ÉPAULES

1. Repérez les deux goujons en saillie à la base des supports d'épaules. Abaissez les goujons des supports d'épaules dans les trous et faites-les glisser en les éloignant du tapis du charriot. Consultez la Figure A.

Remarque : deux positions sont disponibles pour les supports d'épaules. La position plus large est plus confortable pour les personnes aux épaules larges. Échangez le support d'épaules de gauche et de droite pour passer d'une configuration standard à une configuration plus large.

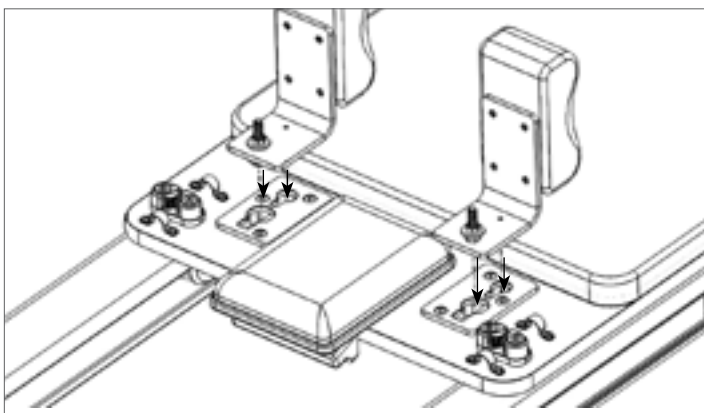


Figure A

2. Vissez maintenant les montants d'épaules à verrous sur le boulon exposé de chaque support d'épaules. Consultez la Figure B.

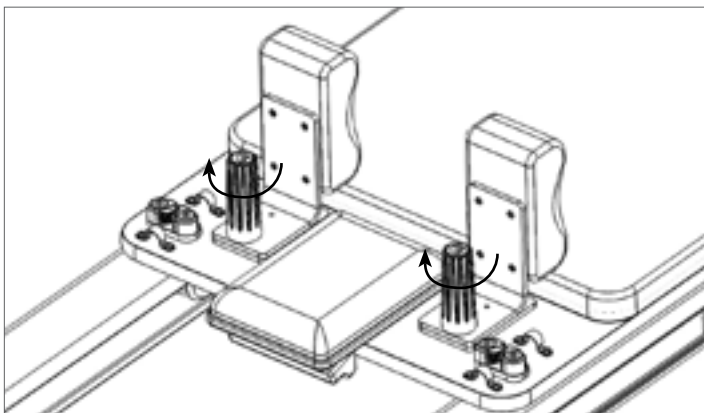


Figure B

Utilisation des montants d'épaules à verrous :

Tournez les montants dans le sens des aiguilles d'une montre pour les serrer, et verrouillez les supports d'épaules en position. Trop serrer les montants les rendra difficiles à enlever ; ceux-ci devraient être bien ajustés, mais pas trop serrés. Pour enlever les supports d'épaules, tournez le montant d'un ou deux tours dans le sens contraire des aiguilles d'une montre et faites doucement glisser les supports d'épaules vers le charriot.

La position de stockage des supports d'épaules est indiquée à la Figure C. Vous remarquerez les fentes de vis à la tête du châssis de l'Allegro.

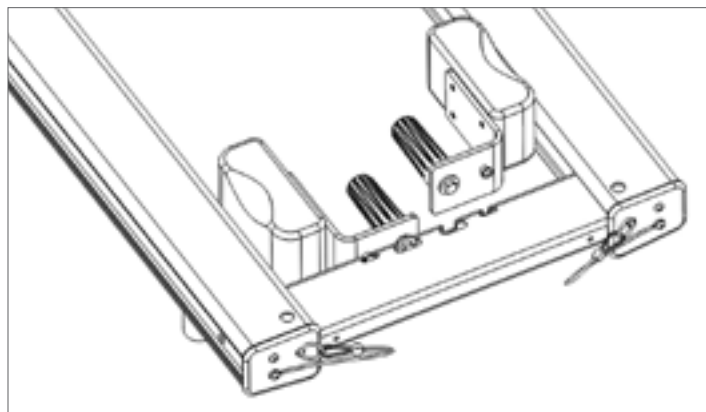


Figure C

INSTALLATION DES BOUTONS A PISTON NOIRS

3. Observez le grand trou fileté de la plaque à tourillons et alignez-le à l'un des trous dans le châssis. Vissez le bouton à piston dans le grand trou jusqu'à ce qu'il soit complètement enfoncé. Consultez la Figure D.
4. Répétez de l'autre côté. Serrez bien les deux boutons à piston à l'aide de la clé plate incluse.

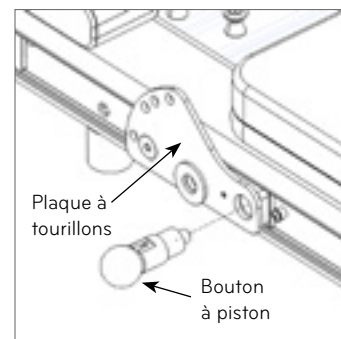


Figure D

Lorsque vous souhaitez déplacer les tourillons, tirez le bout des boutons à piston vers l'extérieur du châssis et tournez-les à 90 degrés pour verrouiller l'ensemble. Pour réengager le piston, tournez le bouton jusqu'à ce qu'il s'enclenche dans un des trous sur le côté du châssis.

Remarque : assurez-vous que les deux plaques à tourillons sont verrouillées dans la même position horizontale avant de continuer.

INSTALLATION DE LA BARRE DES PIEDS

5. Soulevez la barre des pieds afin que la couture de la couverture de la barre des pieds soit éloignée du tapis du charriot.

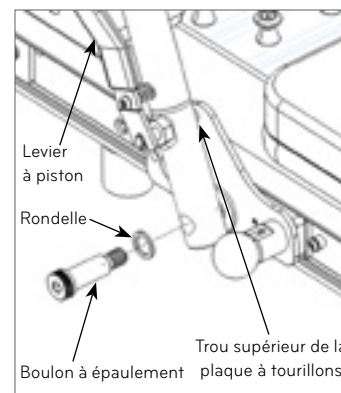


Figure E

6. Tout en serrant les leviers à piston de la barre des pieds, guidez celle-ci par-dessus les plaques à tourillons. Alignez chaque goupille de la barre des pieds avec le trou supérieur de la plaque à tourillons. Tout en soutenant la barre des pieds, relâchez les leviers à piston de celle-ci afin d'engager la plaque à tourillons. Veillez à ce que les goupilles soient bien engagées sur les deux côtés. Consultez la Figure E.

7. Faites pivoter légèrement la barre des pieds jusqu'à ce que le gros trou situé au bas de la barre des pieds corresponde au trou restant sur la plaque à tourillons.
8. Faites glisser le boulon à épaulement avec une rondelle dans le grand trou de la barre des pieds. Vissez ensuite le boulon à épaulement dans la plaque à tourillons aussi serré que possible avec la grande clé Allen (GEN9050). Répétez l'opération de l'autre côté. Consultez la Figure E.

INSTALLATION DES EXTENSEURS

9. Retirez les goupilles de verrouillage du châssis. Insérez les extenseurs dans les trous situés sur le dessus du châssis. Tournez les extenseurs jusqu'à ce que les poulies attachées pointent vers le bas du châssis vers la barre des pieds. Consultez la Figure F.
10. Réinsérez les goupilles de verrouillage jusqu'à ce que l'anneau en métal touche le châssis. Vous devrez peut-être secouer, soulever légèrement ou faire pivoter l'extenseur afin de rentrer complètement les goupilles de verrouillage.

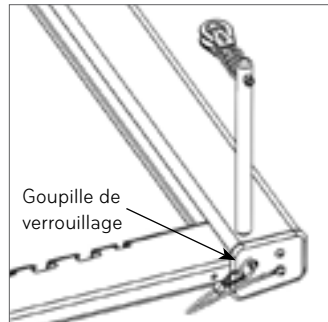


Figure F

FIXATION DES CORDES

11. Pour fixer les cordes, engager d'abord au moins un ressort du charriot au châssis pour maintenir le charriot en position de repos. Déroulez les cordes et séparez-les.
12. L'appareil Allegro est désormais livré avec des cordes douces « Soft Touch » sans fermoir-mousqueton pour fixer les boucles. Ce fermoir ne pourra plus traîner ou frapper le châssis ! Suivez la série d'images ci-dessous pour installer vos boucles. Consultez la Figure G.
13. Posez les boucles sur les supports d'épaules. Enfilez l'autre extrémité de chaque corde à travers une poulie de montée et ensuite dans les taquets coinçeurs sur le charriot afin d'ajuster la longueur. Assurez-vous de passer les œillets en chrome des deux côtés des taquets coinçeurs. Tirez toujours la corde fermement vers le bas sur le taquet pour vous assurer qu'elle soit bien serrée.

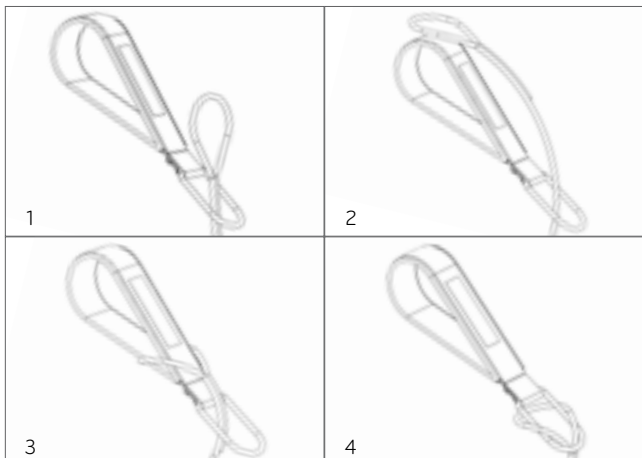


Figure G

STOCKAGE DE L'APPAREIL ALLEGRO REFORMER

Empilage

Pour voir une démonstration sur la façon d'empiler l'Allegro, regardez la section « Installation et la sécurité » du DVD d'introduction/niveau 1 de l'Allegro. Attachez les ressorts afin d'immobiliser le charriot. Placez la barre des pieds en position « basse ». Retirez les supports d'épaules et rangez-les dans les emplacements prévus à la tête du châssis. Abaissez le repose-tête. Retirez les extenseurs et rangez-les dans les trous sur les côtés du châssis. Rangez les cordes ou les boucles à l'intérieur du châssis de l'Allegro, et non pas sur le charriot. Alternez l'orientation des systèmes Allegro quand vous les empilez. Placez les pieds de la tête de l'appareil sur la plate-forme stationnaire de l'Allegro dessous, et ainsi de suite. Empilez un maximum de 5 appareils Reformer sans pied (3 avec pieds). N'empilez pas le Reformer avec les systèmes de Tour.

Station debout

Il est extrêmement important de verrouiller la barre des pieds de l'appareil Allegro dans la bonne position lors d'un stockage en position verticale. Déplacez et verrouillez la barre des pieds dans cette position le plus près possible du pied du châssis du Reformer. Redressez la barre des pieds dans la position la plus élevée. Soulevez la tête du châssis de l'Allegro au niveau de la taille. Puis relevez le châssis à la verticale. Utilisez votre pied pour immobiliser les roulettes du châssis tandis que vous relevez l'appareil à la verticale. L'Allegro en position verticale se reposera sur la barre des pieds et les roues de transport. Consultez la Figure H.



Figure H

NETTOYAGE ET ENTRETIEN

Nettoyage

Nettoyez le coussinet du charriot, le repose-tête, la barre des pieds et les supports d'épaules avec un chiffon doux et un produit nettoyant doux non abrasif après chaque utilisation. Enlevez la poussière et la saleté qui pourraient s'accumuler sur le rail du charriot et sous les roulettes. Essuyez régulièrement toute la longueur du rail avec une serviette. Nettoyez la plaque à tourillons de la barre des pieds toutes les semaines. Nettoyez le châssis avec un produit de nettoyage doux non abrasif. Dépoussiérez les cordes et les ressorts. Les boucles en coton sont lavables en machine. Pendez-les pour les faire sécher.

Lubrification

Le rail C de la plaque à tourillons de la barre des pieds peut être lubrifié à l'aide d'un spray de silicone sec.

ENTRETIEN

Consultez le Guide de sécurité inclus avec ce produit.

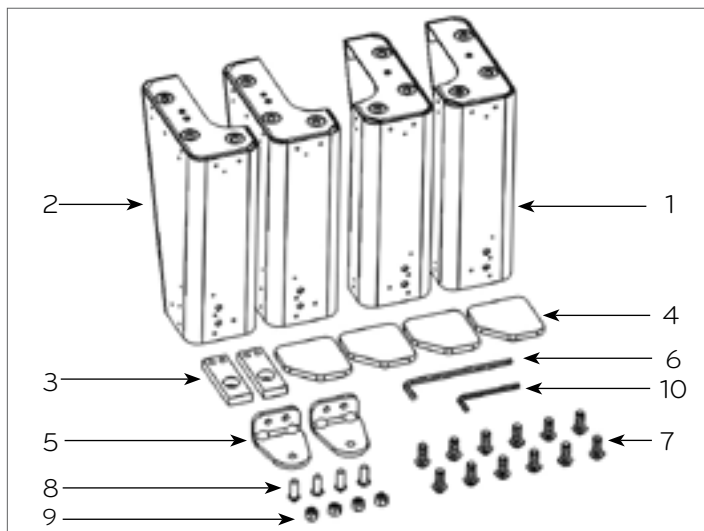
DES QUESTIONS ?

Contactez l'assistance technique de Balanced Body au 1-800-745-2838 (États-Unis et Canada) ou + 1-916-388-2838.

Montage du kit de pieds Allegro®

PIECES INCLUSES :

Réf.	N° de référence	Description	Qté
1	618-030	Pied Allegro, A	2
2	618-031	Pied Allegro, B	2
3	618-021	Plaque à écrou pour pied	2
4	ALL0091	Coussinet en caoutchouc, pieds, Allegro	4
5	614-020	Support de roue, Allegro Pieds Ext.	2
6	GEN8320	Clé Allen, 3/16 po à bille	1
7	GEN7321	Vis à tête, 5/16-18 x 3/4 po	12
8	GEN7325	Vis, 1/4-20 x 3/4 po	4
9	GEN9021	Écrou, Nylock, 1/4-20	4
10	GEN9282	Clé Allen 5/32 po à manche court	1



1. Si vous avez un système de tour « Tower of Power » installé, retirez les cordes, desserrez les 4 boutons de la tour, et enlevez la tour.
2. À l'aide de la clé Allen à manche court inclus, retirez les 4 vis qui maintiennent en place les plaques de recouvrement et les goupilles d'extenseurs à la tête du système. Mettez-les de côté pour les réinstaller plus tard. Consultez la Figure A.

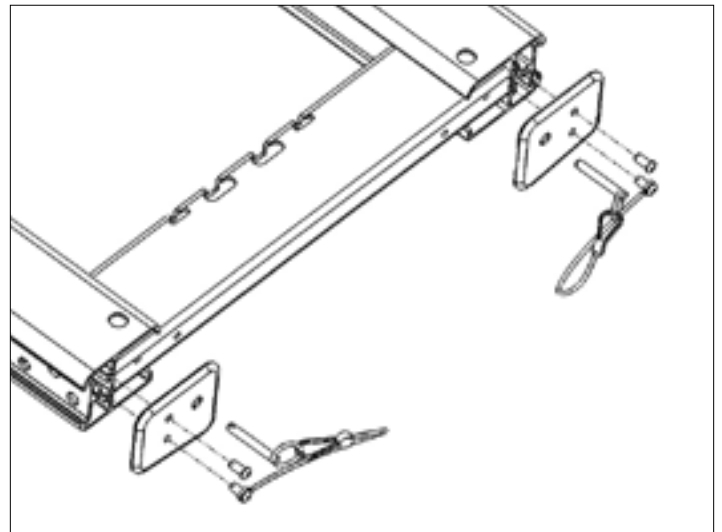


Figure A

3. Fixez tous les ressorts afin de garder le charriot à l'arrêt. Retirez les cordes, les supports d'épaules et les extenseurs. Placez la barre des pieds (si installée) dans sa position la plus basse et vérifiez que toutes les goupilles sont verrouillées de sorte que la barre des pieds reste en place. Puis, avec l'aide d'un ami, soulevez l'appareil Allegro des deux extrémités en le tournant doucement à l'envers, et posez-le au sol. Vous pouvez placer un coussin ou toute autre protection de plancher sous le Reformer.

OUTILS NECESSAIRES (NON INCLUS) :

- » Deux clés réglables 1/2 po
- » Une clé 7/16 po

4. Retirez les quatre pieds en caoutchouc du bas du châssis de l'appareil Reformer en les tenant fermement avec votre main et en tournant dans le sens contraire des aiguilles d'une montre. Vous pouvez jeter les pieds à moins que vous vouliez un jour revenir à une configuration plate de l'appareil Allegro.

5. Retirez les pieds et les autres matériaux de l'emballage et posez les pieds sur le sol avec la partie inférieure du pied vers le haut, comme indiqué à la Figure B.

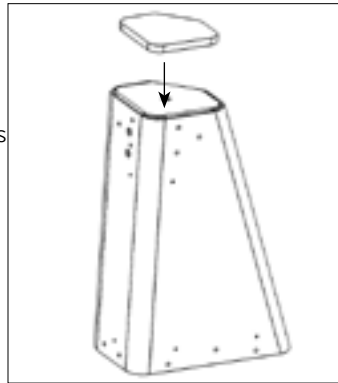


Figure B

6. Pelez ensuite le film adhésif des 4 pieds en caoutchouc, faites correspondre les profils des pieds et collez-les comme indiqué à la Figure B.

7. Insérez les plaques à écrou pour pied présentées à la Figure C dans le châssis du Reformer jusqu'à ce que le grand trou s'aligne avec le trou de l'extenseur du châssis. Une fois aligné, laissez tomber l'extenseur à travers le châssis et le bloc pour le maintenir en place. Consultez la Figure C et D.

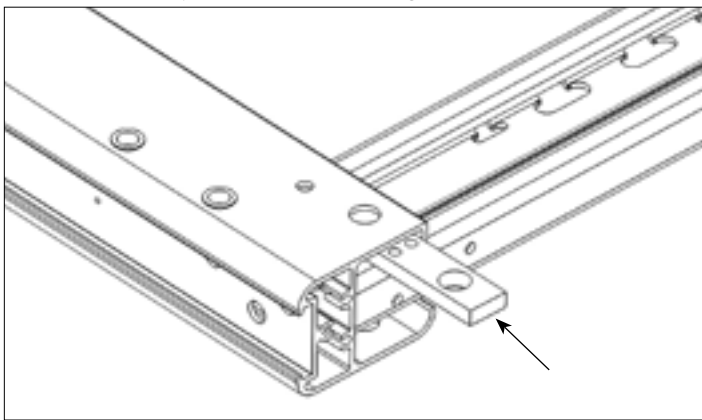


Figure C

8. Maintenant, bougez la plaque à écrou pour pied de sorte que les trous indiqués à la Figure D s'alignent quand vous regardez à travers le trou du châssis. Ce sera l'un des trous de vis que vous utiliserez pour fixer les pieds.

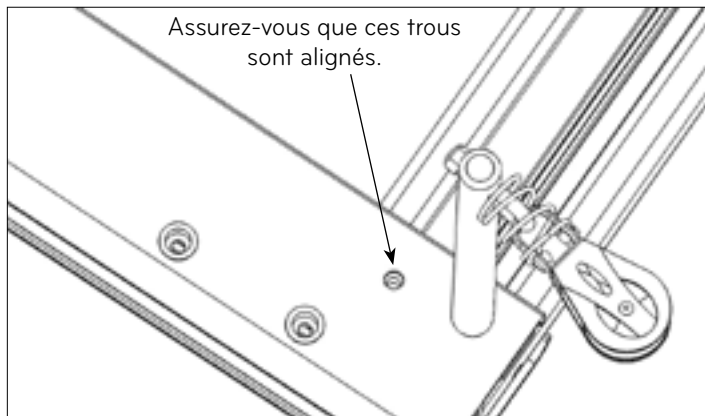


Figure D

9. Les extenseurs étant encore en place et situant les plaques à écrou pour pied, placez deux des pieds sur le rail du châssis à la tête du Reformer en alignant les trous au pied avec les trois

trous du châssis. Les pieds gauches et droits ne sont pas les mêmes, donc continuez à chercher celui qui correspond à la configuration des trous du châssis. Maintenant, enfiler les six vis 5/16-18 dans le châssis pour fixer les pieds. Commencez avec les vis qui vont dans le bloc qui est maintenu en place par les extenseurs et lorsqu'elles sont toutes commencées, serrez-les. Consultez la Figure E.

Vous pouvez maintenant supprimer les extenseurs et les mettre de côté.

REMARQUE : la partie longue de la clé Allen de 3/16 po est ronde afin de permettre plus de maniabilité dans les espaces réduits. Lorsque les vis ont toutes été serrées avec les doigts, utilisez la partie courte de la clé Allen pour les serrer.

10. De la même manière, installez les autres pieds au pied du châssis de l'appareil avec les 6 vis. Aucune plaque à écrou pour pied n'est nécessaire au pied de l'appareil.

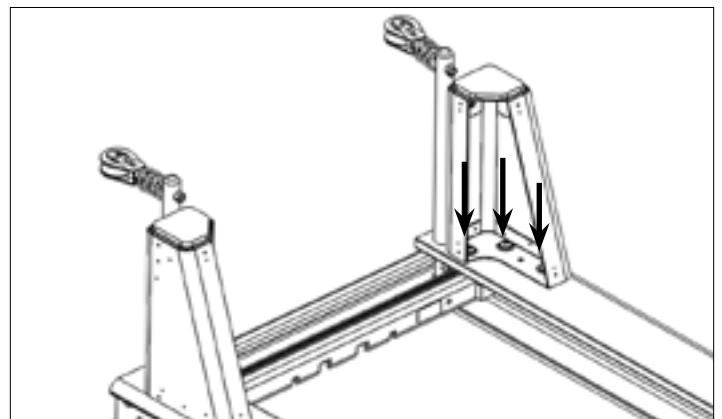


Figure E

11. À l'aide d'une clé de 7/16 po et de la clé Allen incluse, installez les supports de roues de transport avec les vis de 1/4-20 et des écrous comme indiqué à la Figure F. Assurez-vous que les supports sont orientés comme indiqué sur l'illustration. Typiquement, ceux-ci sont installés au pied du Reformer comme indiqué à la Figure F.

REMARQUE : les roues de transport peuvent également être installées à la tête de l'appareil, ce qui vous permet de le déplacer plus facilement avec le système de Tour. Dans cette

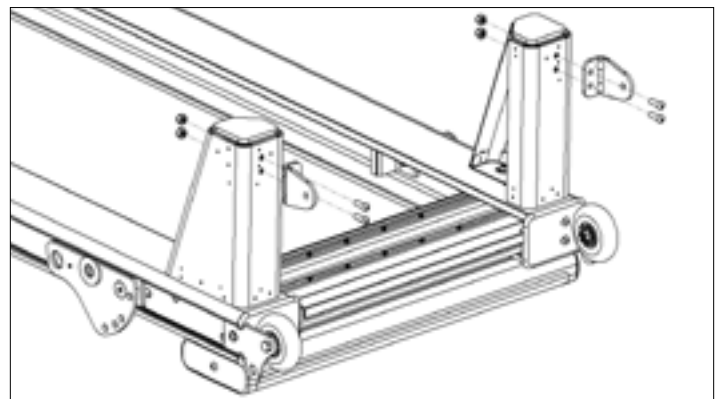


Figure F (barre des pieds non représentée)

configuration, assurez-vous que le charriot est à la tête du Réformer avant de soulever le pied de l'appareil.

12. Réinstallez les plaques de recouvrement du rail à la tête de l'appareil, du même côté que vous les aviez retirés au départ.

REMARQUE : si vous installez ensuite un système de Tour, alors ne remettez pas les plaques de recouvrement du rail de la tête de l'appareil.

13. À l'aide d'une clé à molette ou d'une clé 1/2 po, retirez les roues de transport de leur emplacement actuel et installez-les sur les supports que vous venez d'installer. Laissez les vieux supports de roues de transport en place, car une sangle de pied peut y être fixée. Consultez la Figure G.

REMARQUE : il est essentiel que les rondelles et les roues soient installées dans le même ordre et la même orientation qu'elles l'étaient sur les supports d'origine. Installez une roue à la fois et si la roue ne tourne pas librement une fois l'assemblage terminé,

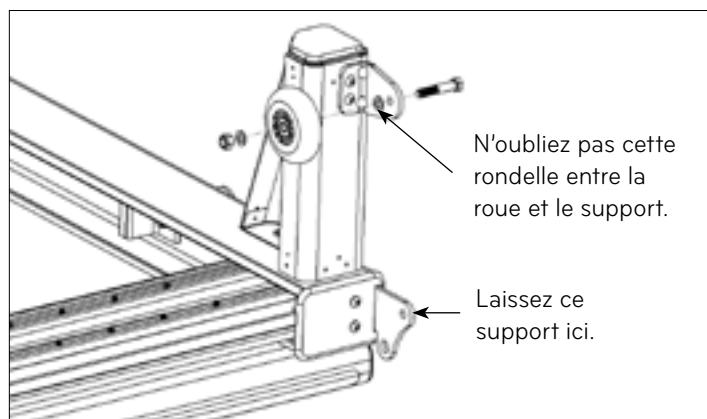


Figure G

vérifiez avec l'autre roue pour vous assurer que tout a été posé dans le bon ordre.

14. Vos pieds sont installés et vous pouvez maintenant délicatement soulever et tourner votre appareil Allegro Reformer à l'endroit. Réinstallez vos supports d'épaules, vos extenseurs et vos cordes.

Comment installer et utiliser le coussinet de la plateforme de travail

Votre Allegro Reformer est fourni avec un coussinet pour la plateforme de travail. Placer le coussinet directement sur la plateforme de travail pour l'utiliser. Ce coussinet permet de placer la plateforme de travail à la même hauteur que le coussinet du charriot. Voir la Figure H.

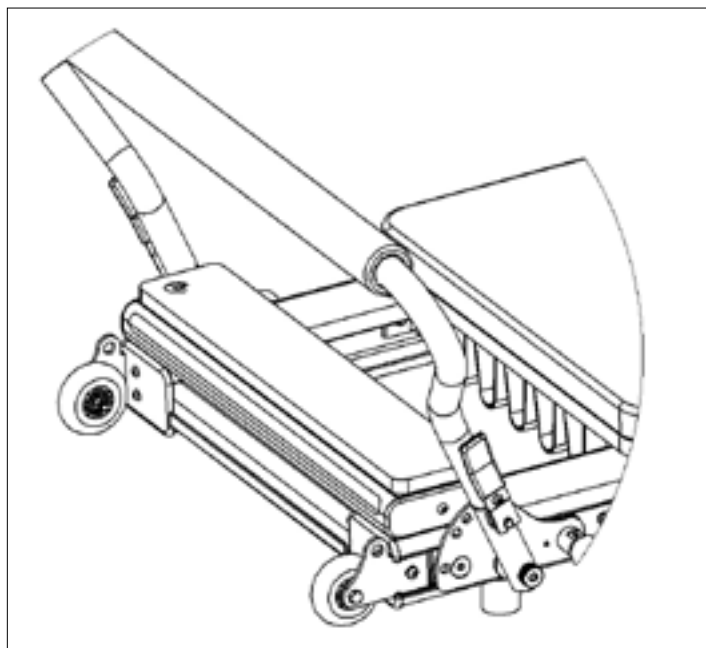


Figure H

Montage de la tour Tower of Power™ du système Allegro®

Avant de commencer le montage, comparez les pièces et les composants reçus à la liste ci-dessous. S'il vous manque une ou plusieurs pièces, veuillez contacter le service après-vente de Balanced Body en composant le 1-800-PILATES (1-800-745-2837) aux États-Unis et au Canada, ou le +1-916-388-2838 (international).

PREPARATION DE VOTRE ALLEGRO REFORMER

Si vous avez acheté un appareil Allegro à jeu de pieds de 14 po, nous vous conseillons vivement d'installer les pieds avant de monter le système de Tour.

Retirez toutes les cordes et les extenseurs de l'Allegro. Si vous avez acheté votre Allegro avant le 1er février 2004, retirez les étiquettes et leur matériau de renforcement sur les côtés. Vous pouvez commander gratuitement une nouvelle étiquette en composant le numéro 1-800-PILATES (1-800-745-2837) aux États-Unis et au Canada, ou le +1-916-388-2838 (international).

LISTE DES PIÈCES

N° de référence	Description	Qté
618-024	Tour	1
TRP0047	Barre de poussée ou "Push-through bar" (PTB)	1
GEN9892	Goupille en T	2
950-234	Support de tour de droite	1
950-235	Support de tour de gauche	1
950-131	Poulie réglable et ensemble de boutons	2
212-001	Clé Allen de 5/32 po, longue	1
SPR9004	Ressort à piège bleu	2
SPR9002	Ressort à piège jaune	2
SPR9461	Ressort long, violet	2
SPR9006	Ressort long, jaune	2
710-010	Barre « Roll Down »	1
101-005	Boucles simples en coton	1 paire
210-023	Sangle de sécurité avec mousqueton	1
950-236	Ressorts de montage inférieurs de la Tour	1



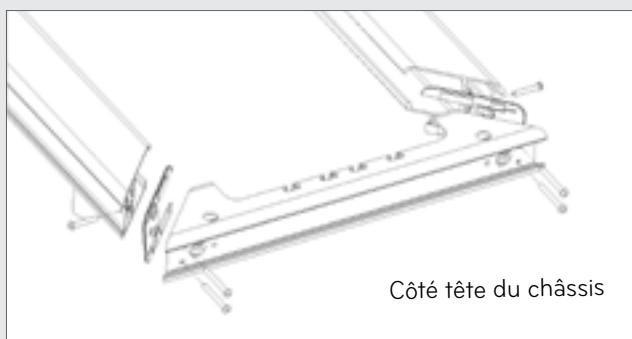
OUTILS NECESSAIRES (NON INCLUS) :

- » Tournevis cruciforme

IMPORTANT : LIRE CECI EN PREMIER

REMARQUE : Si vous avez une version originale du système Allegro avec des joints d'angles (achetés avant novembre 2014), suivez ces instructions d'utilisation.

- a. À l'aide de la clé Allen de 4 mm (5/32 pouces) de diamètre fournie, desserrez et retirez les six vis (une de chaque côté du Reformer et 4 du côté tête de l'appareil) qui maintiennent le côté tête du châssis en place. Si des pieds sont déjà installés, vous devrez retirer les boulons qui les fixent au côté tête du châssis. Notez comment les cales en plastique placées entre les éléments du châssis sont orientées et comment elles sont insérées.



- b. Installez les supports de la Tour comme décrit à l'étape 3 ci-dessous. Ne pas serrer les vis du support.
- c. Réinstallez le côté tête du châssis de votre Reformer en utilisant les cales en plastique et les vis que vous avez retirées à l'étape « a ». Les deux vis les plus courts doivent être placés de part et d'autre du châssis et les 4 vis les plus longs doivent être placés du côté tête du châssis. Serrez bien les 6 vis en veillant à ne pas trop les serrer. Si vous avez des pieds, réinstallez-les à l'aide des boulons.
- d. Placez les supports de la Tour de sorte qu'ils s'alignent avec le bord des vis du châssis sur le côté de celui-ci. Ensuite, serrez les vis du support de la Tour comme décrit à l'étape 4.
- e. Suivez les instructions de l'étape 6 jusqu'à la fin.

1. À l'aide de la clé Allen de 5/32 po, retirez les capuchons en plastique des rails et les goupilles de verrouillage à la tête du châssis de l'Allegro. Celles-ci devront être remises du même côté, alors conservez les vis avec elles et rappelez-vous où elles vont. Consultez la Figure A.

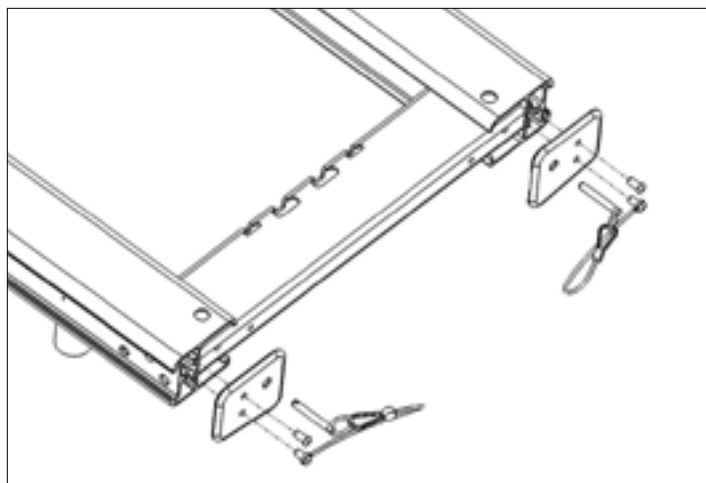


Figure A

2. Installation des supports de montage du système de Tour :

- a. À l'aide de la clé Allen de 4 mm (5/32 pouces) de diamètre fournie, desserrez légèrement les 6 vis de chaque support. Ne les retirez pas, vous voulez juste obtenir un peu de jeu entre les plaques. Voir la Figure B.
- b. Assurez-vous que les supports sont orientés comme indiqué sur la Figure B (utilisez les grosses molettes de serrages grises et les vis comme référence) et glissez-les dans le profilé en C du châssis.

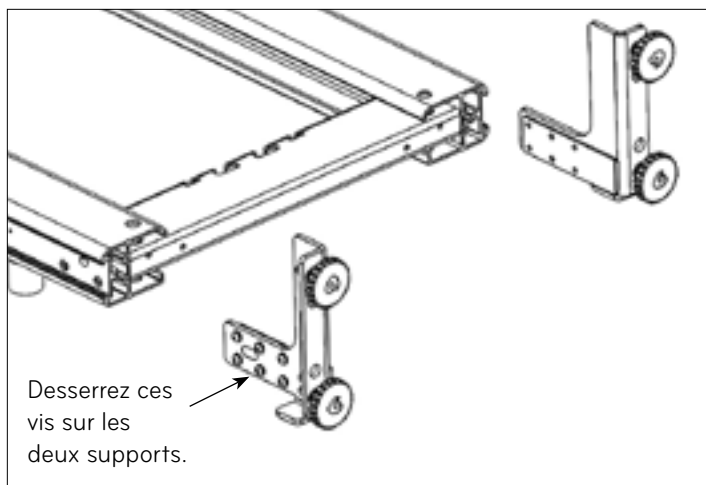


Figure B

3. Réinstallez les embouts de rail en plastique du même côté que vous les aviez retirés. Le cordon de sécurité et les goupilles de verrouillage ne sont plus nécessaires, vous pouvez donc les mettre de côté avec les ascenseurs. Voir la Figure C.

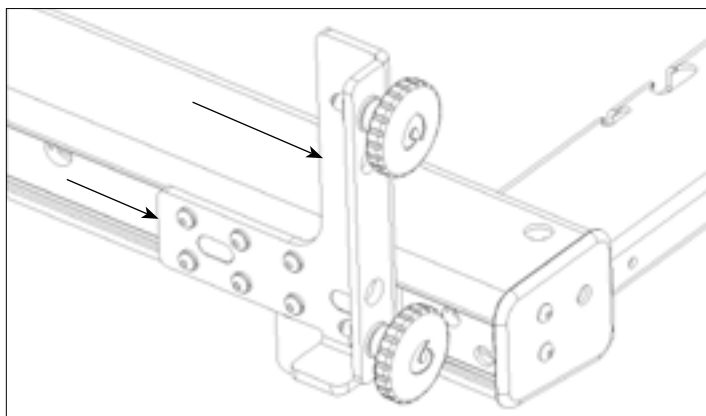


Figura C

4. Assurez-vous de bien insérer les deux supports jusqu'à ce qu'ils soient bien plaqués contre l'entretoise en plastique du rail. À l'aide de la clé Allen de 4 mm (5/32 pouces) de diamètre fournie, serrez les 6 vis des deux supports de la tour. Voir les figures C et D.

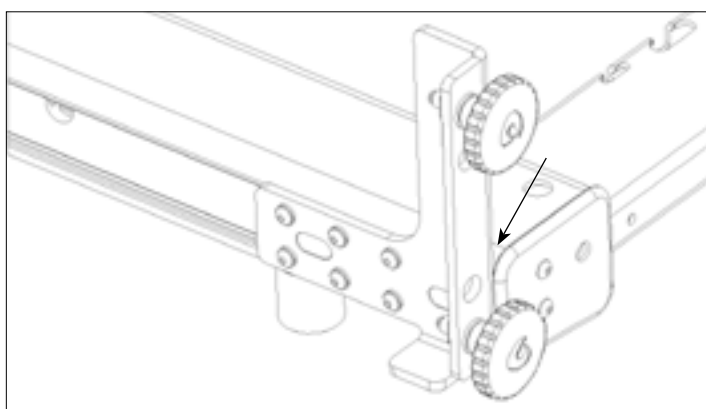


Figura D

5. Installez le châssis du système de Tour sur les supports.
- Orientez le châssis du système de Tour de telle sorte que les grands trous filetés pointent vers l'extérieur du charriot.
 - Placez le châssis du système de Tour au-dessus des supports et abaissez-le sur ceux-ci de manière à ce que la Tour repose sur le rebord du bas des supports. Consultez la Figure E.
 - Faites glisser le châssis vers le support jusqu'à ce qu'il soit au même niveau.
 - Avec un bras ou avec l'aide d'un assistant qui tient le châssis du système de Tour debout et en position, enfillez les 4 gros boutons dans le châssis de la Tour. Vous devrez peut-être pousser un peu le châssis pour l'aligner au bouton ; si l'un d'eux vous donne du mal, passez au suivant et revenez-y ensuite.

REMARQUE IMPORTANTE : Visez les quatre boutons de 3 ou 4 tours dans le châssis du système de Tour avant de tous les serrer. Il est également essentiel que le système de Tour soit parallèle et bien contre le support avec les boutons. Vous devrez peut-être pousser, tirer ou tordre les pieds de la Tour pour l'aligner.

- Lorsque les quatre boutons sont en place, alors serrez-les un par un.

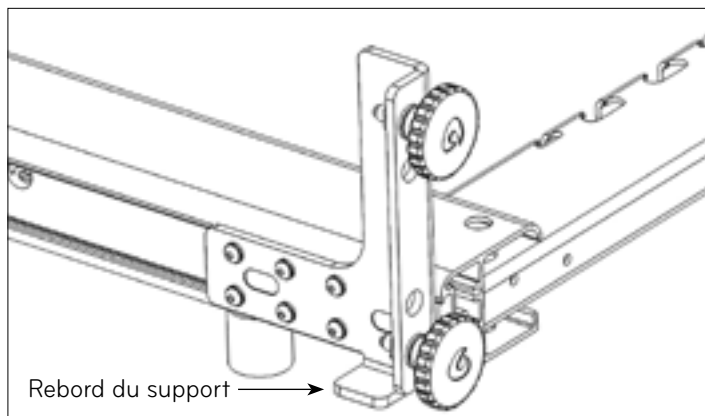


Figure E

6. Installez les poulies réglables en assemblant les composants, comme illustré à la Figure F en mettant la poulie à l'intérieur du châssis. Serrez le bouton lorsque l'anneau de levage est horizontal, comme illustré à la Figure F. Répétez l'opération de l'autre côté.

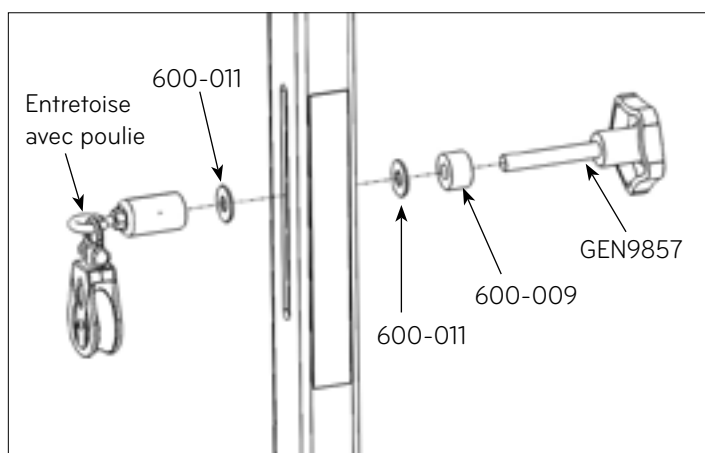


Figure F

7. Installez les supports à ressort inférieurs à la tête du châssis avec la vis longue et la clé Allen 5/32 po. Serrez la vis avec l'anneau de levage orienté verticalement comme indiqué à la Figure G.

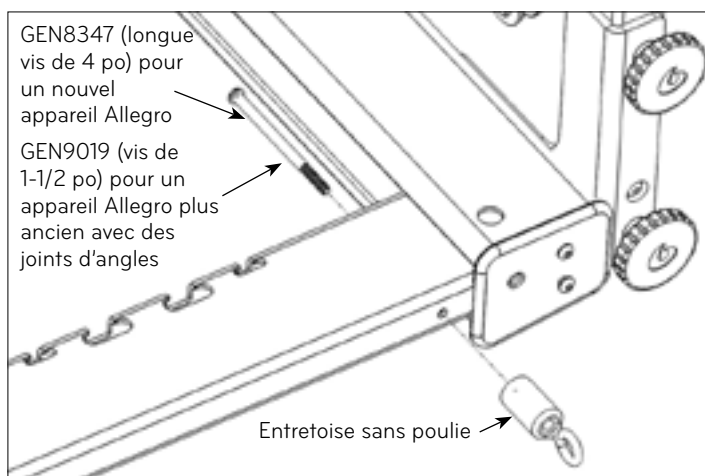


Figure G

8. Renfilez vos cordes à travers les nouvelles poulies montantes.

REPOSITIONNEZ LA GOUPILLE EN T

Pour faciliter l'expédition, le système de Tour est emballé avec les goupilles en T installées à l'intérieur du châssis de la Tour. Consultez la Figure H.

9. La goupille en T doit être installée à l'extérieur du châssis du système de Tour lors de l'utilisation par le client. Si vous voulez retirer la goupille en T, appuyez sur le bouton de la poignée de la goupille tout en maintenant bien la barre de poussée (PTB). Libérez la goupille de la barre PTB et du châssis du système de Tour. Remplacez la goupille à l'extérieur du châssis du système de Tour. Consultez la Figure H.

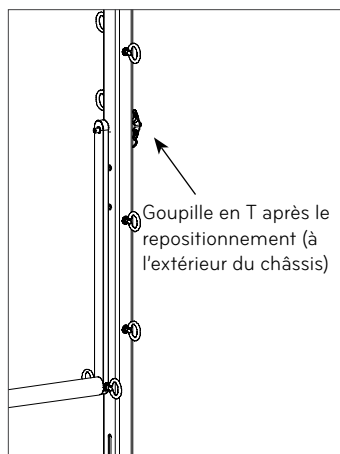


Figure H

INSTALLATION DU MATELAS CONVERTIBLE (MAT CONVERSION)

10. Débranchez tous les ressorts du charriot
11. Déplacez le charriot à la tête du châssis de l'appareil Allegro et enlevez les cordes.
12. Insérez le matelas dans l'espace ouvert situé entre la plate-forme stationnaire et le charriot.
13. Retirez les supports d'épaules du charriot (facultatif).

UTILISATION DE LA SANGLE DE SECURITE PREINSTALLEE DE LA BARRE DE POUSSEE PUSH-TROUGH (PTB)

Remarque : La sangle de sécurité doit toujours être utilisée lors des exercices utilisant la barre de poussée « Push-Through » à ressorts tirant vers le bas.

Utilisez uniquement sous la supervision d'un instructeur qualifié. La sangle de sécurité de la barre de poussée « Push-Through » n'est utilisée que lors des exercices nécessitant la barre de poussée à ressorts tirant vers le bas. L'illustration de droite montre la sangle de sécurité utilisée de façon correcte pour maintenir la barre de poussée « Push-Through ». La sangle comprend de nombreuses boucles ou « points de contact » qui permettent de régler le « point d'arrêt » de la barre de poussée PTB en cas de relâchement pendant un exercice.



Figure I

Remarque : Utilisez la partie en Velcro de la sangle de sécurité orientée vers le haut du châssis du système de Tour pour fixer la barre « Push-Through » en position verticale quand elle n'est pas utilisée.

DEPLACER ET RANGER UN APPAREIL ALLEGRO AVEC UN SYSTEME DE TOUR

Remarque : Prenez toutes les précautions requises lorsque vous déplacez, soulevez ou rangez un appareil Allegro ou un Allegro avec un système de Tour. Utilisez une technique de levage appropriée pour éviter les blessures.

TRANSPORT :

Pour déplacer un Reformer avec un système de Tour sur une courte distance vous pourrez le soulever par la tête et le rouler sur les roues de transport comme s'il n'y avait pas de système de Tour. Soyez conscient que vous soulevez le système de Tour et le Reformer, donc ce sera plus lourd que si vous portiez uniquement le Reformer. Le système de Tour sera également assez élevé, alors vous devrez être prudent si vous n'avez pas de hauts plafonds.

Si déplacer l'appareil Reformer et le système de Tour n'est pas possible, alors enlevez la Tour, puis déplacez le Reformer.

1. Remplacez les cordes à travers les poulies sur l'extenseur.
2. Desserrez les quatre boutons moletés gris du système de Tour et retirez celle-ci du châssis du Reformer. Si c'est trop lourd, les ressorts et la barre de poussée « Push-through » peuvent d'abord être retirés. Si vous ne retirez pas la barre de poussée « Push-Through » ou la barre de poussée « Roll Down », notez qu'elles peuvent se balancer librement. .
3. Le charriot étant maintenant retenu en position de repos par au moins deux sources, levez la tête du Reformer pour le faire rouler.

Remarque : Si vous avez installé les rallonges de pieds et que vous avez installé les roues de transport à la tête de l'appareil, vous pouvez laisser le système de Tour installé et soulevez le pied de l'appareil afin de le faire rouler. Assurez-vous que le charriot soit à la tête du châssis avant de soulever l'ensemble. Il vous faudra plus de place si vous vous déplacez en laissant cette configuration, mais parfois, il est possible de le faire. Ne soulevez pas le Reformer par la barre des pieds.

RANGEMENT VERTICAL :

4. Retirez le châssis du système de Tour comme expliqué dans la section « TRANSPORT ». **Le système de Tour doit être retiré avant de mettre l'appareil en position verticale.**
5. Il est extrêmement important de verrouiller la barre des pieds de l'appareil Allegro dans la bonne position lors d'un stockage en position verticale. Déplacez et verrouillez la barre des pieds dans cette position le plus près possible du pied du châssis du Reformer. Redressez la barre des pieds dans la position la plus élevée. Soulevez la tête du châssis de l'Allegro au niveau de la taille. Puis relevez le châssis à la verticale. Utilisez votre pied pour immobiliser les roulettes du châssis tandis que vous relevez l'appareil à la verticale. L'Allegro en position verticale se reposera sur la barre des pieds et les roues de transport.

Remarque : Il est extrêmement important de verrouiller la barre des pieds de l'appareil Allegro dans la bonne position lors d'un stockage en position verticale.

Montage de votre sangle murale de sécurité Allegro®

La sangle murale de sécurité Allegro est conçue pour être installée à un mur muni d'une armature en bois standard. Si vous disposez d'un type différent de construction murale (brique, béton, etc.), il vous faudra peut-être un système d'attache différent. Vérifiez ceci auprès de votre magasin de matériel de construction ou de votre constructeur.

Liste des pièces (incluses)

- » 1 sangle (ceinturon) réglable
- » 1 3-1/2 po anneau de levage

Outils nécessaires (non inclus)

- » Perceuse avec une mèche de forage de 1/8 po
- » Tournevis Phillips ou tournevis à tête plate

INSTALLATION DE L'ANNEAU DE LEVAGE

1. Trouvez un poteau de cloison où vous souhaitez poser votre appareil Allegro. Assurez-vous que vous avez suffisamment d'espace des deux côtés du poteau de cloison, ainsi qu'au-dessus pour installer votre appareil Allegro. Avec une mèche de forage de 1/8 po, pré percez un trou dans le poteau de cloison. Le trou doit être placé de 5 pi à 5 1/2 (env. 1.5 m) pi au-dessus du sol. Dans le trou préalablement percé, fixez l'anneau de levage à l'aide d'un tournevis jusqu'à ce que l'axe de l'anneau soit complètement dans le mur.

UTILISATION DE LA SANGLE MURALE DE SECURITE

2. Suivez les instructions d'utilisation de l'appareil Allegro ou du système de Tour Allegro expliquant comment correctement ranger l'appareil à la verticale.
3. Déplacez l'appareil Allegro près du mur, la barre des pieds dos au mur (perpendiculaire à la paroi).
4. Enroulez les extrémités de la sangle autour d'un rail et reliez les extrémités comme pour une ceinture, à l'aide du clip ajustable.
5. Ajustez la sangle en ne laissant aucun jeu.



REMARQUE : Ne pas essayer d'envelopper les extrémités des sangles autour du châssis entier, car celles-ci ne seront pas assez longues.

IMPORTANT : La société Balanced Body n'est pas responsable de tout dommage ou préjudice dus à une mauvaise installation de montage mural, ou de l'utilisation de matériel de montage mural incorrect ou inapproprié.

Pour tous renseignements, veuillez contacter Balanced Body en composant le 1-800-PILATES (1-800-745-2837) aux États-Unis et au Canada, ou le +1-916-388-2838 (international).

Comment assembler le Réformateur Extensible Allegro®

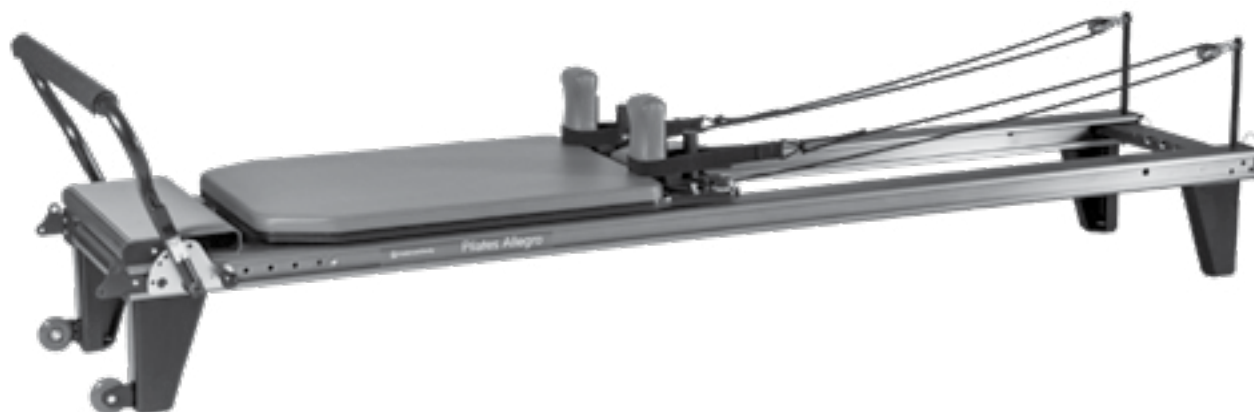
LISTE DES PIÈCES

N° de référence	Description	Qté
950-002	Barre des pieds complète	1
950-020	Boulons d'articulation et rondelles	1 kit
950-228	Supports d'épaules avec crochets	1 paire
616-400	Montants d'épaules à verrous	2
GEN8000	Boutons à piston à verrouillage par rotation	2
210-057	Cordes tactiles souples, extensibles	1 paire
210-064	Doubles boucles (« Soft Touch »)	1 paire
950-225	Extenseur Allegro avec poulie	2
GEN9050	Clé Allen de 5/16 po	1
ALL0060	Clé Allegro	1
SPR9070	Ressort rouge	3
SPR9071	Ressort bleu	1
SPR9241	Ressort jaune	1
621-008	Grande plateforme de travail	1
UPH7040	Coussinet en mousse - plateforme de travail	1
UPH7041	Coussinet en mousse - Grande plateforme de travail	1

PRÉCAUTIONS IMPORTANTES : PRIÈRE DE LIRE AVEC ATTENTION

Pour réduire le risque de blessure grave, veuillez lire ces précautions importantes avant d'utiliser le système Allegro.

- » Veuillez lire toutes les instructions d'utilisation de ce manuel avant d'utiliser le système Allegro. Avant d'utiliser l'appareil, regardez la vidéo consacrée à l'installation et à la sécurité, incluse avec le système Allegro. Utilisez le système Allegro conformément aux instructions d'utilisation et à la vidéo.
- » Le propriétaire du système a la responsabilité de s'assurer que tous les utilisateurs de l'Allegro connaissent toutes les précautions à prendre.
- » Utilisez le système Allegro uniquement sur une surface horizontale. Tenez les mains et les pieds à l'abri des pièces mobiles. Quand le système Allegro n'est pas utilisé, laissez au moins deux ressorts fixés au charriot. Les enfants de moins de 12 ans et les animaux domestiques ne doivent jamais se trouver à proximité du système Allegro.
- » En cas de douleurs, d'étourdissements ou d'essoufflements, arrêtez immédiatement tout exercice.
- » Avant de commencer un programme d'exercices physiques, consultez votre médecin.



INSTALLATION DES SUPPORTS D'ÉPAULES

Le réformateur extensible est livré avec huit positions différentes d'appuis d'épaule. Les supports d'épaules peuvent être ajustés en fonction des épaules étroites ou larges. Les supports d'épaules gauches et droits peuvent être permutés pour réaliser ces configurations.

1. Repérez les deux goujons en saillie à la base des supports d'épaules. Abaissez les goujons des supports d'épaules dans les trous et faites-les glisser en les éloignant du tapis du charriot. Consultez la Figure A.

Remarque : deux positions sont disponibles pour les supports d'épaules. La position plus large est plus confortable pour les personnes aux épaules larges. Échangez le support d'épaules de gauche et de droite pour passer d'une configuration standard à une configuration plus large.

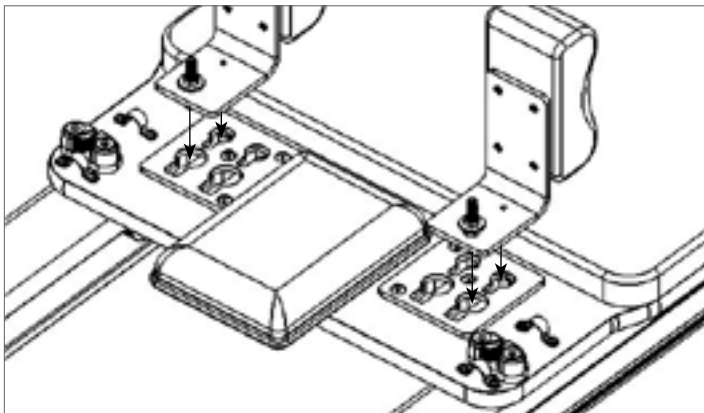


Figure A

2. Vissez maintenant les montants d'épaules à verrous sur le boulon exposé de chaque support d'épaules. Consultez la Figure B.

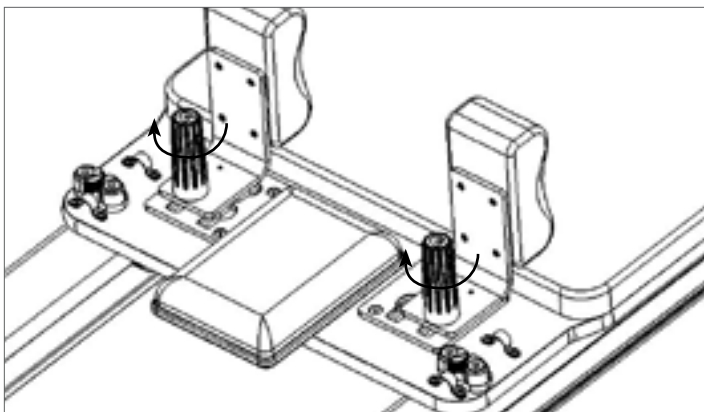


Figure B

Utilisation des montants d'épaules à verrous :

Tournez les montants dans le sens des aiguilles d'une montre pour les serrer, et verrouillez les supports d'épaules en position. Trop serrer les montants les rendra difficiles à enlever ; ceux-ci devraient être bien ajustés, mais pas trop serrés. Pour enlever les supports d'épaules, tournez le

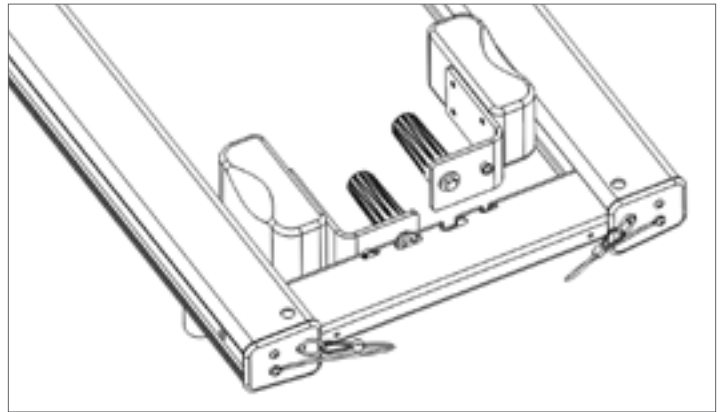


Figure C

INSTALLATION DES BOUTONS A PISTON NOIRS

3. Observez le grand trou fileté de la plaque à tourillons et alignez-le à l'un des trous dans le châssis. Vissez le bouton à piston dans le grand trou jusqu'à ce qu'il soit complètement enfoncé. Consultez la Figure D.

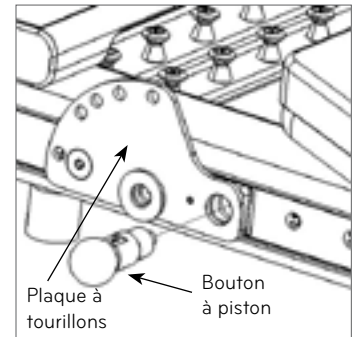


Figure D

4. Répétez de l'autre côté. Serrez bien les deux boutons à piston à l'aide de la clé plate incluse.

Lorsque vous souhaitez déplacer les tourillons, tirez le bout des boutons à piston vers l'extérieur du châssis et tournez-les à 90 degrés pour verrouiller l'ensemble. Pour réengager le piston, tournez le bouton jusqu'à ce qu'il s'enclenche dans un des trous sur le côté du châssis.

Remarque : assurez-vous que les deux plaques à tourillons sont verrouillées dans la même position horizontale avant de continuer.

INSTALLATION DE LA BARRE DES PIEDS

5. Soulevez la barre des pieds afin que la couture de la couverture de la barre des pieds soit éloignée du tapis du charriot.

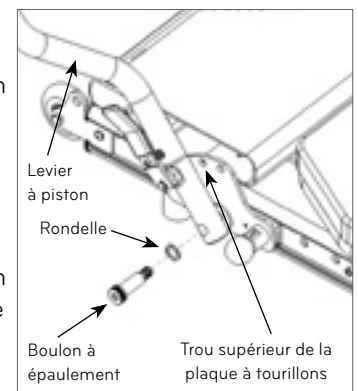


Figure E

6. Tout en serrant les leviers à piston de la barre des pieds, guidez celle-ci par-dessus les plaques à tourillons. Alignez chaque goupille de la barre des pieds avec le trou supérieur de la plaque à tourillons. Tout en soutenant la barre des pieds, relâchez les leviers à piston de celle-ci afin d'engager la plaque à tourillons. Veillez à ce que les goupilles soient bien engagées sur les deux côtés. Consultez la Figure E.

- Faites pivoter légèrement la barre des pieds jusqu'à ce que le gros trou situé au bas de la barre des pieds corresponde au trou restant sur la plaque à tourillons.
- Faites glisser le boulon à épaulement avec une rondelle dans le grand trou de la barre des pieds. Vissez ensuite le boulon à épaulement dans la plaque à tourillons aussi serré que possible avec la grande clé Allen. Répétez l'opération de l'autre côté. Consultez la Figure E.

INSTALLATION DES EXTENSEURS

- Retirez les goupilles de verrouillage du châssis. Insérez les extenseurs dans les trous situés sur le dessus du châssis. Tournez les extenseurs jusqu'à ce que les poulies attachées pointent vers le bas du châssis vers la barre des pieds. Consultez la Figure F.

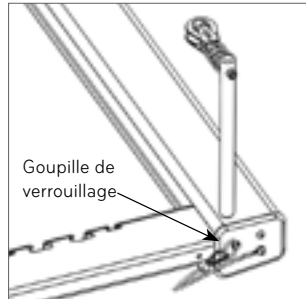


Figure F

- Réinsérez les goupilles de verrouillage jusqu'à ce que l'anneau en métal touche le châssis. Vous devrez peut-être secouer, soulever légèrement ou faire pivoter l'extenseur afin de rentrer complètement les goupilles de verrouillage.

FIXATION DES CORDES

- Pour fixer les cordes, engager d'abord au moins un ressort du charriot au châssis pour maintenir le charriot en position de repos. Déroulez les cordes et séparez-les.
- L'appareil Allegro est désormais livré avec des cordes douces « Soft Touch » sans fermoir-mousqueton pour fixer les boucles. Ce fermoir ne pourra plus traîner ou frapper le châssis ! Suivez la série d'images ci-dessous pour installer vos boucles. Consultez la Figure G.

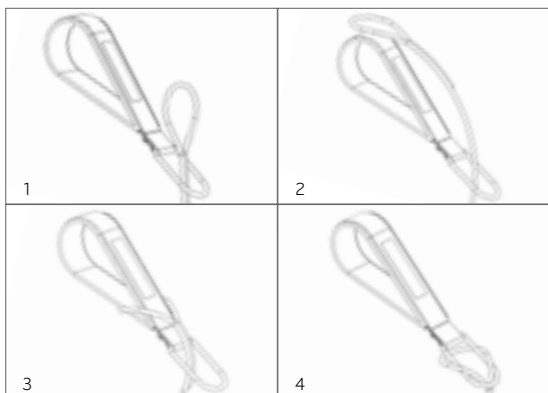


Figure G

- Posez les boucles sur les supports d'épaules. Enfilez l'autre extrémité de chaque corde à travers une poulie de montée et ensuite dans les taquets coinçeurs sur le charriot afin d'ajuster la longueur. Assurez-vous de passer les œillets en chrome des deux côtés des taquets coinçeurs. Tirez toujours la corde fermement vers le bas sur le taquet pour vous assurer qu'elle soit bien serrée.

STOCKAGE DE L'APPAREIL ALLEGRO REFORMER

Empilage

Pour voir une démonstration sur la façon d'empiler l'Allegro, regardez la section « Installation et la sécurité » du DVD d'introduction/niveau 1 de l'Allegro. Attachez les ressorts afin d'immobiliser le charriot. Placez la barre des pieds en position « basse ». Retirez les supports d'épaules et rangez-les dans les emplacements prévus à la tête du châssis. Abaissez le repose-tête. Retirez les extenseurs et rangez-les dans les trous sur les côtés du châssis. Rangez les cordes ou les boucles à l'intérieur du châssis de l'Allegro, et non pas sur le charriot. Alternez l'orientation des systèmes Allegro quand vous les empilez. Placez les pieds de la tête de l'appareil sur la plate-forme stationnaire de l'Allegro dessous, et ainsi de suite. Empilez un maximum de 5 appareils Reformer sans pied (3 avec pieds). N'empilez pas le Reformer avec les systèmes de Tour.

Station debout

Si équipé d'une plate-forme surdimensionnée, assurez-vous de l'enlever avant de vous tenir debout sur le réformateur. Il est extrêmement important de verrouiller la barre des pieds de l'appareil Allegro dans la bonne position lors d'un stockage en position verticale. Déplacez et verrouillez la barre des pieds dans cette position le plus près possible du pied du châssis du Reformer. Soulevez la barre des pieds vers le bas de la position la plus haute. Soulevez la tête du châssis de l'Allegro au niveau de la taille. Puis relevez le châssis à la verticale. Utilisez votre pied pour immobiliser les roulettes du châssis tandis que vous relevez l'appareil à la verticale. L'Allegro en position verticale se reposera sur la barre des pieds et les roues de transport. Consultez la Figure H.

NETTOYAGE ET ENTRETIEN

Nettoyage

Nettoyez le coussinet du charriot, le repose-tête, la barre des pieds et les supports d'épaules avec un chiffon doux et un produit nettoyant doux non abrasif après chaque utilisation. Enlevez la poussière et la saleté qui pourraient s'accumuler sur le rail du charriot et sous les roulettes. Essayez régulièrement toute la longueur du rail avec une serviette. Nettoyez la plaque à tourillons de la barre des pieds toutes les semaines. Nettoyez le châssis avec un produit de nettoyage doux non abrasif. Dépoussiérez les cordes et les ressorts. Les boucles en coton sont lavables en machine. Pendez-les pour les faire sécher.

Lubrification

Le rail C de la plaque à tourillons de la barre des pieds peut être lubrifié à l'aide d'un spray de silicone sec.

ENTRETIEN

» Consultez le Guide de sécurité inclus avec ce produit.

DES QUESTIONS ?

Contactez l'assistance technique de Balanced Body au 1-800-745-2838 (États-Unis et Canada) ou + 1-916-388-2838.

Nouvelles Fonctionnalités de la Barre de Pied pour le Système équilibré Balanced Body® Allegro®

REGLAGES DE LA BARRE DES PIEDS HORIZONTALE

L'appareil Allegro est équipé d'une barre de pieds réglable qui permet une adaptation ergonomique à la taille des utilisateurs. Pour déplacer la barre des pieds, tirez les boutons ronds noirs au bas de la barre des pieds et tournez-les à 90 degrés pour les bloquer. Faites glisser la barre des pieds vers l'avant ou vers l'arrière jusqu'à ce qu'elle soit alignée avec le trou désiré sur le charriot. Tournez le bouton jusqu'à ce que la goupille rentre dans un trou. Assurez-vous que celle-ci soit complètement insérée.

- » **Le Trou 1** se trouve le plus près de la barre des pieds du système Reformer et offre la plus grande distance entre les supports d'épaules et la barre des pieds. Il sert aux utilisateurs de grande taille (plus de 6,3 pi) soit 1,91m ou lorsqu'une flexion moins grande des hanches et des genoux est souhaitée.
- » **Le Trou 1** sert aux utilisateurs entre 6 pi (1,82m) et 6,3 pi (1,91m)
- » **Le Trou 3** sert aux utilisateurs entre 5,9 pi (1,75m) et 6 pi (1,82m).
- » **Le Trou 4** sert aux utilisateurs entre 5,5 pi (1,65m) et 5,9 pi (1,75m).
- » **Le trou 5** sert aux utilisateurs entre 4,10 pi (1,47m) et 5,5 pi (1,65m).

Les tailles mentionnées ici ne sont que des suggestions. Le réglage de la barre des pieds devrait permettre à l'utilisateur d'obtenir un peu moins de 90 degrés de flexion des hanches lorsque le charriot est au maximum lors du travail des jambes et des pieds.

REGLAGES DE LA BARRE DES PIEDS VERTICALE

Pour ajuster la barre de pied à la verticale, appuyez sur les deux poignées au bas de la barre jusqu'à ce que la tige se dégage de la plaque. Déplacez la barre des pieds à la hauteur souhaitée et relâchez la goupille dans le trou.

- » **Barre verticale** – Déplacez la goupille dans le trou le plus haut et relâchez la poignée. Cette position est l'espace le plus court entre les accotements et la barre des pieds. Cette position est utilisée pour le travail des pieds et des jambes avec des utilisateurs plus courts.
- » **Barre haute** – Déplacez la goupille dans le 2^{ème} trou à partir du haut et relâchez la poignée. La position haute réduit l'espace entre les supports d'épaules et la barre des pieds. Cette position est utilisée lors des exercices des pieds et des jambes avec des utilisateurs plus petits, et avec des utilisateurs ayant de la difficulté à garder la position du dos à cause d'une lordose lombaire augmentée ou d'un dos endolori.

- » **Barre moyenne** – Placez la goupille dans le 3^{ème} trou à partir du haut de la plaque. La position moyenne rallonge l'espace entre les supports d'épaules et la barre des pieds. Cela diminue la flexion des genoux lors d'exercices des pieds et des jambes et place le torse dans une position neutre debout.
- » **Barre basse** – Placez la goupille dans le 4^{ème} trou à partir du haut de la plaque. La position basse offre la longueur maximale entre les supports d'épaules et la barre des pieds. Cela diminue la flexion des genoux lors d'exercices des pieds et des jambes, diminue la flexion du torse et des hanches en position de l'éléphant et peut être utile aux utilisateurs de grande taille ou plus souples.
- » **Sans barre** – Placez la goupille dans le trou le plus bas sur la table. Cette position est utilisée pour retirer la barre lors d'exercices en position debout et d'exercices où l'utilisateur est couché sur le cadre.

Veillez vous référer au manuel pour toutes les autres fonctionnalités d'Allegro.

BOUTONS DE VERROUILLAGE À PISTON FACILES À UTILISER.

Le Allegro® Reformer, le Clinical Reformer® et le Studio Reformer® de Balanced Body avec leur barre de pieds Infinity sont fournis avec des boutons de verrouillage à pistons qui permettent de régler et déplacer la barre de pieds du Reformer facilement le long du châssis.

Pour les utiliser, tirer le bouton à piston en ligne droite afin que les broches transversales sortent de leurs encoches comme le montre la Figure A. Puis, faire pivoter le bouton pour que les broches s'appuient sur la tête du boulon comme le montre la Figure B. Répéter l'opération de l'autre côté."

Avec les boutons en position verrouillée, placer la barre de pieds dans la position souhaitée le long de votre Reformer. Puis tournez les boutons afin que les broches rentrent dans leur encoche, fixant ainsi la barre de pieds dans sa position.

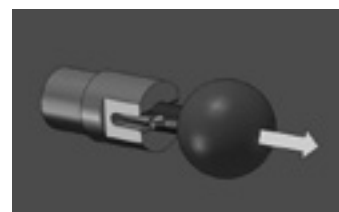


Figure A

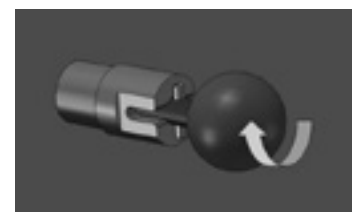


Figure B

Comment installer et utiliser la grande plateforme de travail

Si vous avez commandé l'Allegro Stretch Reformer, votre machine est fournie avec la grande plateforme de travail inclinable "Nouveau Style" et le coussinet de la grande plateforme de travail. Si vous avez commandé un Allegro Reformer normal, reportez-vous aux informations ci-dessous pour déterminer quelle plateforme commander.

Déterminez le style de l'Allegro Reformer que vous avez.

- » Si les rails à côté du tourillon et de la plateforme de travail comportent un trou à fentes, suivez les instructions Nouveau Style et commandez la pièce numéro 950-266; Grande plateforme de travail, A1b.
- » S'il n'y a pas de fentes dans les rails de votre reformer, veuillez suivre les instructions Ancien Style (feuille à part) et commander la pièce numéro 720-063; Grande plateforme de travail, A1b.

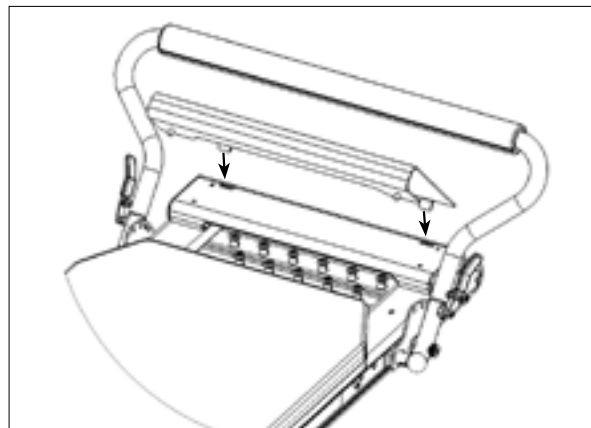


Figure B

NOUVEAU STYLE

INSTALLER LA GRANDE PLATEFORME DE TRAVAIL

1. Abaissez la grande plateforme de travail (GPT) sur la plateforme de travail montée. La GPT comporte deux languettes qui peuvent se placer dans les encoches de la plateforme de travail. Les broches du dessous doivent être dirigées vers le chariot. Voir la Figure B.
2. Une fois les languettes de la GPT installés, faites pivoter vers l'avant et le bas pour que les broches s'abaissent et entrent dans les encoches sur les rails. Voir la Figure C.
3. Vous pouvez maintenant utiliser votre GPT. Pour accéder et changer les ressorts, inclinez la GPT vers le haut et sortez-la du chariot. Une fois les changements finis, abaissez la GPT et replacez-la sur les rails.

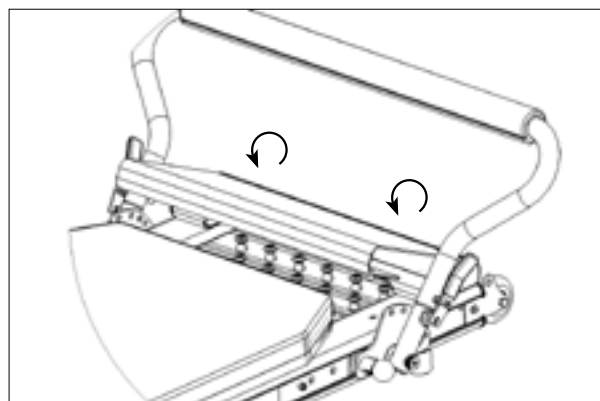


Figure C

Comment installer et utiliser les coussinets de la plateforme de travail pour l'Allegro® Stretch Reformer

Votre Allegro Stretch Reformer est fourni avec deux coussinets pour la plateforme de travail, un pour la plateforme de travail fixe et un pour la grande plateforme de travail. Placez-les directement sur la plateforme de travail à utiliser. Ces coussinets permettent de placer la plateforme de travail à la même hauteur que le coussinet du chariot. Voir les Figures A et B.

Remarque : vous devez retirer le coussinet le plus petit pour installer la GPT. N'utilisez qu'UN SEUL coussinet à la fois.

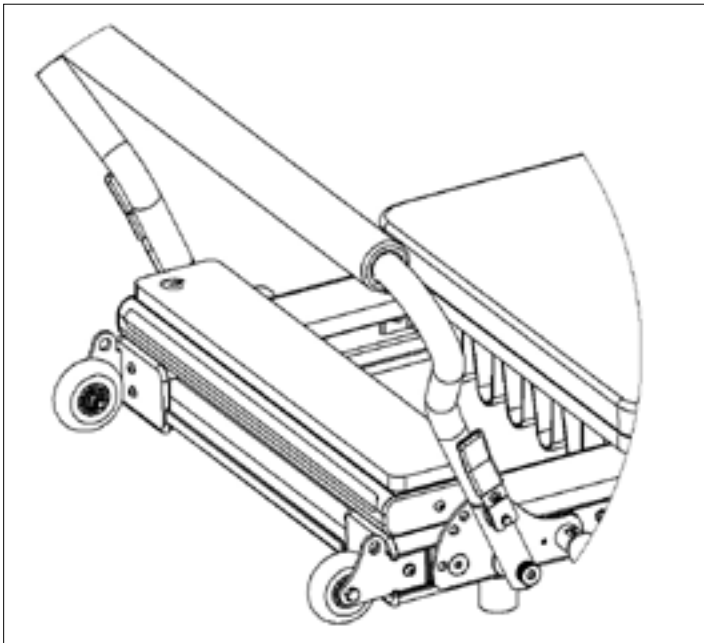


Figure A - Coussinet de la plateforme de travail

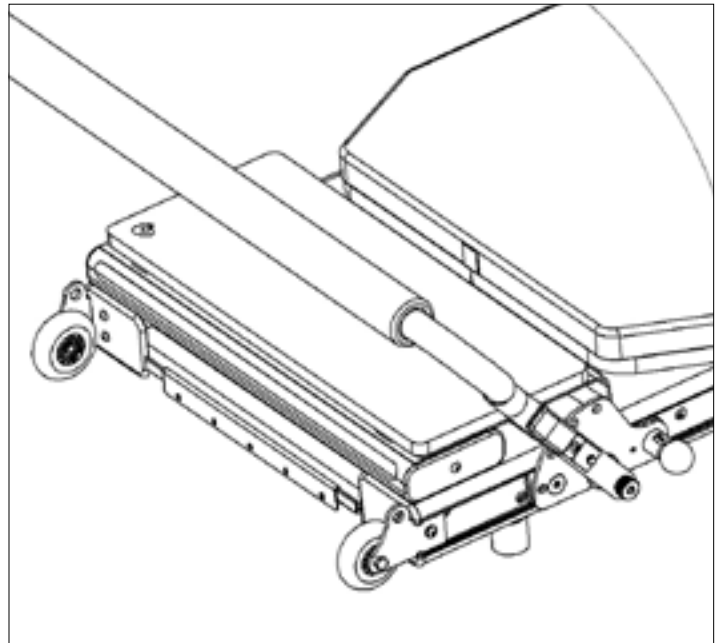


Figure B - Coussinet de la grande plateforme de travail

Exercices pour le Reformer

DÉFINITION DES TERMES DE PRÉPARATION AUX EXERCICES

- » **Niveau** : Le niveau de compétence requis pour entreprendre l'exercice.
- » **Répétitions** : Le nombre d'exécutions de la séquence de mouvements constituant l'exercice.
- » **Ressorts** : Le nombre de ressorts à attacher pour effectuer l'exercice.
- » **Barre** : Position correcte de l'appui-pied pendant l'exercice.*
- » **Appui-tête** : Position correcte de l'appui-tête pendant l'exercice.*
- » **Boucles** : Les boucles à utiliser pour l'exercice.*
- » **Concentration** : Ce sur quoi il faut mettre l'accent pendant l'exercice.
- » **Précautions** : Affections physiques qui peuvent limiter ou exclure un participant. Il peut être nécessaire de modifier certains exercices pour les personnes touchées par ces affections.
- » **Préalables** : Exercices particuliers qui doivent être maîtrisés avant d'entreprendre l'exercice pour la première fois.
- » **Position de départ** : La position à prendre pour commencer l'exercice sur le Reformer.

*Le cas échéant.

SÉCURITÉ ET ENTRETIEN

CONSIGNES DE SÉCURITÉ

Pour réduire le risque de blessure ou de dommage, veuillez lire ces instructions et les précautions suivantes importantes avant d'utiliser le système Allegro.

- » Il incombe au propriétaire du système de s'assurer que tous les utilisateurs de l'Allegro Reformer Allegro Tower System connaissent toutes les précautions à prendre.
- » Utilisez l'Allegro Reformer Allegro Tower System uniquement sur une surface horizontale.
- » Tenez les mains et les pieds à l'abri des pièces mobiles. Quand l'Allegro Reformer Allegro Tower System n'est pas utilisé, laissez au moins deux ressorts fixés au châssis.
- » Les enfants de moins de 12 ans et les animaux domestiques ne doivent jamais se trouver à proximité du système Allegro 2.
- » En cas de douleur, d'étourdissement ou d'essoufflement, arrêtez immédiatement tout exercice.
- » Ne vous mettez pas debout sur les barres de pieds.
- » Avant de commencer un programme d'exercices physiques, consultez votre médecin.
- » Ne laissez pas l'Allegro Reformer Allegro Tower System en position stationnaire sans les roulettes.

ENTRETIEN

- » Selon la fréquence d'utilisation, les ressorts peuvent être utilisés sans danger pendant un an ou deux (3000 heures). Remplacez tout ressort entortillé, tordu ou présentant des espacements au repos.
- » Si les cordes doivent être remplacées, voir les instructions situées sur le dessous du chariot. Le Reformer doit alors être tourné sur son côté (veuillez placer un matelas Pilates sur le sol à côté du Reformer pour en protéger la finition) ou placez-le en position stationnaire (sur pieds) si vous disposez des roulettes de transport.
- » Enlevez les cheveux et les débris des axes des roulettes. Les débris peuvent créer une pression excessive au niveau des roulements et entraîner leur usure. Si les roulements font du bruit, remplacez-les. Il s'agit des seules mesures d'entretien exigées pour les roulements.
- » Réparez toute déchirure du SKY à l'aide d'un kit de réparation de SKY que l'on peut trouver dans les magasins d'accessoires automobiles ou faites exécuter la réparation localement.
- » Appelez Balanced Body pour d'autres options possibles pour le SKY et leur rénovation. Du SKY de rechange peut être acheté auprès de Balanced Body.
- » Vérifiez et serrez tous les boulons et les vis. Remplacez toutes les vis, broches de retenue et autres pièces manquantes.
- » Vérifiez les boulons de la barre de pieds chaque mois pour vous assurer qu'ils sont bien fixés.

NETTOYAGE

Nettoyez le coussinet du chariot, le repose-tête, la barre de pieds et les supports d'épaules avec un chiffon doux et un produit nettoyant léger non abrasif après chaque utilisation. Enlevez la poussière et la saleté qui pourraient s'accumuler sur le rail du chariot et les roulettes. Nettoyez le châssis avec une solution d'eau et de savon douce et non abrasive d'eau. Enlevez la poussière des cordes et des ressorts. Les boucles en coton peuvent être lavées à la machine. Pendez-les pour les faire sécher.

REMARQUE : NE LUBRIFIEZ ET NE GRAISSEZ AUCUN ÉLÉMENT QU'IL S'AGISSE DU REPOSE-PIED, DU CHARIOT, DES ROUES OU DES RAILS. Si vous avez des problèmes ou des questions, veuillez contacter le service de soutien technique de Balanced Body. En ajoutant du lubrifiant ou de la graisse, les composants peuvent ne pas s'enclencher correctement et rendre la machine dangereuse.

Avez-vous des questions ? Appelez l'assistance technique Balanced Body au 1-800-PILATES (États-Unis) ou au +1-916-388-2838 ou envoyez un courriel à info@pilates.com.

TRAVAIL DES PIEDS – TOUS NIVEAUX

10 répétitions

Ressorts : 2 à 4

Barre : position médiane ou haute

Appui-tête : position haute

Concentration

- » **Respiration** : expirer dans le mouvement et inspirer au retour, ou l'inverse
- » Colonne vertébrale en position neutre
- » Stabilité pelvienne
- » Alignement des hanches, des jambes et des chevilles
- » Renforcement des hanches, des jambes et des chevilles
- » Circulation
- » **Isolation** : relâcher la tension superflue dans le tronc et les hanches

Précautions

Sensibilité à la flexion des chevilles, des genoux et des hanches ou à la compression de la colonne vertébrale

Positions de départ

Couché dorsal sur le chariot, pieds posés sur l'appui-pied à écartement des hanches

Talons

Talons sur l'appui-pied, pousser et revenir

Orteils

Avant-pieds (métatarses) posés sur la barre, talons légèrement soulevés, pousser et revenir

Préhension

Avant-pieds enroulés autour de la barre, pousser et revenir

V Pilates

Avant-pieds sur la barre, tournés vers l'extérieur et légèrement pointés, talons joints, pousser et revenir

Fléchir-pointer

Avant-pieds parallèles et posés sur la barre, jambes droites, flexion plantaire de la cheville, flexion dorsale de la cheville, plier les genoux, repousser jusqu'à la position de départ

2e position

Talons aux extrémités de la barre, légèrement tournés vers l'extérieur, repousser et revenir

Course sur place

Avant-pied sur la barre, flexion d'un talon, flexion du genou opposé, alterner les deux jambes 20 à 50 fois



Talons



Orteils



Préhension



V Pilates



CHARIOT – NIVEAU 1

10 répétitions

Ressorts : 1 à 2

Barre : aucune

Boucles : courtes

Concentration

- » **Respiration** : expirer en montant et expirer en descendant, ou inspirer en descendant et expirer en remontant.
- » Souplesse de la colonne vertébrale
- » Force abdominale
- » Épaules abaissées
- » Cou allongé
- » Fléchisseurs des hanches détendus

Précautions

Lésions du dos, du cou ou des fléchisseurs des hanches.
Redoubler de prudence en cas d'ostéoporose

Préalables

Flexion aisée de la colonne vertébrale

Position de départ

S'asseoir face aux câbles, genoux fléchis, boucles dans les mains, bras tendus sans contracter les coudes

Exercice standard

Tenir les boucles avec les bras tendus, rouler vers le bas en courbant le dos de façon à garder le buste soulevé, puis remonter en maintenant une légère flexion de la colonne vertébrale.

Variante oblique

Tourner les genoux d'un côté et le torse de l'autre, rouler vers le bas, inverser la torsion, puis remonter

Variantes avec travail des bras

Rouler vers le bas puis, avec le bas du dos sur le chariot, ajouter trois flexions de bras ou trois élévations latérales (deltôïdes) avant de remonter



LE HUNDRED – TOUS NIVEAUX

10 séries

Ressorts : 1 à 3

Barre : aucune

Boucles : normales

Appui-tête : position haute

Concentration

» **Respiration par à-coups** : cinq à-coups d'inspiration et cinq d'expiration

» Pelvis stable, en position neutre

» Creuser les abdominaux

» Force abdominale

» Épaules abaissées

» Cou allongé

Précautions

Lésions du dos, du cou ou des fléchisseurs des hanches.
Ostéoporose.

Préalables

Hundred au sol

Position de départ

Couché dorsal sur le chariot, genoux à 90 degrés, mains dans les boucles, bras tendus vers le plafond

Niveau 1

Avec les genoux fléchis à 90 degrés, ramener les bras en position latérale et les étirer vers l'avant tout en soulevant la tête et le buste du chariot et donner aux bras des impulsions synchronisées avec la respiration

Niveau 2

Avec les jambes tendues vers le plafond, ramener les bras en position latérale en les étirant vers l'avant tout en soulevant la tête et le buste du chariot et donner aux bras des impulsions synchronisées avec la respiration

Niveau 3

Ramener les bras en position latérale en les étirant vers l'avant tout en soulevant la tête et le buste du chariot, tendre les jambes vers le plafond et les redescendre en gardant le bas du dos contre le tapis, donner aux bras des impulsions synchronisées avec la respiration



COORDINATION – NIVEAU 2

6 répétitions

Ressorts : 1 ou 2

Barre : aucune

Boucles : normales

Appui-tête : position haute

Concentration

- » **Respiration** : inspirer, commencer ; expirer, tendre bras et jambes en soulevant la tête et le buste ; inspirer, ouvrir-fermer ; expirer, revenir
- » Pelvis stable, en position neutre
- » Creuser les abdominaux
- » Force abdominale
- » Renforcement des adducteurs
- » Épaules abaissées
- » Cou allongé

Précautions

Lésions du dos, du cou ou des fléchisseurs des hanches.
Redoubler de prudence en cas d'ostéoporose.

Préalables

Hundred au sol ou sur le Reformer

Position de départ

Couché dorsal sur le chariot, genoux à 90 degrés, mains dans les boucles avec les coudes fléchis à 90 degrés, bras posés sur le chariot

Exercice standard

Tendre les bras vers les côtés en soulevant la tête et le buste vers la position du Hundred, ouvrir et refermer les jambes, replier d'abord les genoux, puis redescendre la tête et ramener les bras en position de départ



ABDOMINAUX INVERSÉS – NIVEAU 4

10 répétitions

Ressorts : 1 ou 2

Barre : aucune

Boucles : normales

Concentration

- » **Respiration** : expirer pour ramener les genoux, inspirer pour les relâcher
- » Force abdominale
- » Force des psoas-iliaques
- » Coordination des psoas-iliaques et des abdominaux
- » Colonne vertébrale au neutre
- » Épaules abaissées
- » Cou allongé

Précautions

Lésions du dos, du cou ou des fléchisseurs des hanches.
Ostéoporose.

Préalables

Abdominaux renforcés par les exercices d'enroulement au sol.
Capacité à maintenir la colonne vertébrale au neutre.

Position de départ

Couché dorsal face aux câbles, colonne vertébrale au neutre, genoux fléchis à 90 degrés, boucles autour des genoux, tête supportée par les mains, coudes bien écartés

Exercice standard

En maintenant la colonne vertébrale au neutre, creuser les abdominaux et tirer les genoux à plus de 90 degrés tout en fléchissant le torse et en soulevant la tête de l'appui-tête, puis ramener les jambes à la position de départ en gardant toujours la colonne vertébrale au neutre

Variante oblique

Tourner le torse vers la droite et tendre le bras gauche en travers du corps vers le genou droit tout en tirant les genoux vers le thorax (répéter 4 à 8 fois du même côté, puis changer de côté)



ABDOMINAUX À GENOUX – NIVEAU 1 OU 2

10 répétitions

Ressorts : 0 à 2

Barre : aucune

Boucles : aucun

Concentration

- » **Respiration** : expirer en tirant les genoux, inspirer en revenant à la position de départ
- » Stabilité pelvienne
- » Force abdominale
- » Stabilité pelvienne
- » Stabilité scapulaire

Précautions

Problèmes d'épaule, de coude ou de poignet. Incapacité à s'agenouiller.

Préalables

Exercice du dos rond à quatre pattes (dos de chat)

Position de départ

À quatre pattes sur les genoux, face aux sangles, mains sur les bords du cadre

Exercice standard (dos plat)

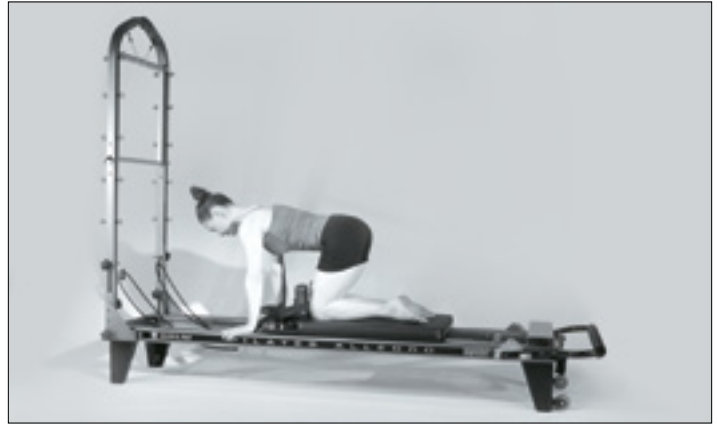
Se mettre en face des sangles avec les genoux contre les appui-épaules, en gardant le rachis en position neutre et parallèle au sol. Tirer le chariot vers la tête en fléchissant les hanches.

Variante – Oblique 1

Placer les deux mains sur le même bord du cadre de façon à tourner et incliner le torse tout en maintenant les hanches aussi alignées que possible par rapport au cadre. Tirer les deux jambes en amplifiant le mouvement du torse.



Position de départ, face aux sangles



Dos plat



Oblique 1

PIEDS DANS LES SANGLES – NIVEAU 1

6 répétitions

Ressorts : 2

Barre : n'importe laquelle

Boucles : normales

Concentration

- » **Respiration** : expirer dans le mouvement et inspirer au retour, ou l'inverse
- » Colonne vertébrale sur le tapis ou en position neutre
- » Creuser les abdominaux
- » Force abdominale
- » Stabilité pelvienne
- » Force des ischio-jambiers, des adducteurs et des fessiers
- » Souplesse des ischio-jambiers et adducteurs
- » Alignement des jambes et des hanches
- » Mobilité des hanches

Précautions

Traumatisme du dos ou des fléchisseurs des hanches. Manque de souplesse des ischio-jambiers. Abdominaux faibles.

Préalables

Souplesse suffisante des ischio-jambiers. Capacité de stabiliser le dos. Pratique du Hundred.

Position de départ

Couché dorsal sur le chariot, boucles autour des voûtes plantaires

Abaissements de jambes

Hanches stables. Cuisses jointes au départ. Abaisser et soulever les jambes.

Variantes : jambes parallèles ; jambes tournées vers l'extérieur ou l'intérieur ; cerceau magique ou ballon tenu entre les jambes.

Ciseaux

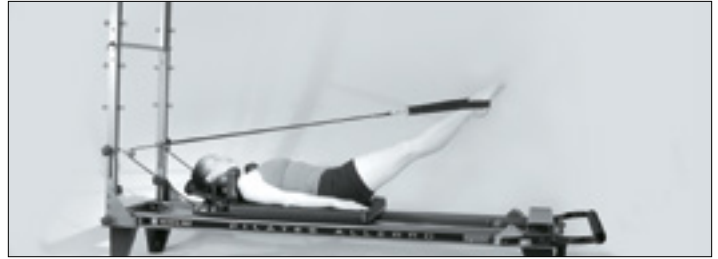
Hanches stables. Cuisses jointes au départ. Écarter les jambes, puis les rapprocher.

Variantes : jambes maintenues au-dessus des hanches ; abaissement des jambes vers la barre tandis que le chariot se déplace (pour former un V).

Cercles

Hanches stables. Cuisses jointes au départ. Abaisser les jambes et décrire des cercles ou des D avec les pieds. Changer de direction.

Variantes : jambes parallèles ; jambes tournées vers l'extérieur ou l'intérieur ; ou genoux dans les boucles.



COFFRE LONG - TRAVAIL DES BRAS - NIVEAUX 1 À 3

4 à 8 répétitions

Ressorts : 1 ou 2

Coffre : long

Boucles : normales

Barre : position basse ou retirée

Concentration

- » Respiration : inspirer en tirant, expirer en relâchant
- » Os iliaque en contact avec le tapis de chaque côté
- » Creuser les abdominaux
- » Force des triceps, des grands dorsaux, des trapèzes inférieurs et du haut du dos.
- » Alignement de la tête
- » Placement des omoplates
- » Alignement des jambes et du torse

Précautions

Lésions des épaules, des coudes et des poignets. Certains problèmes de dos.

Préalables

Capacité à se mettre en couché ventral.

Tirage de sangles (niveaux 1 et 2)

Position de départ

Couché ventral sur le coffre long, poitrine dépassant du bord avant, face aux câbles, appui-pied abaissé, câbles tenus dans les mains.

Bras abaissés

Tirer les câbles vers les hanches le long des bords du chariot

Bras écartés

Tirer les câbles vers les hanches en étendant les bras latéralement

Soulevé du haut du dos

Tirer les câbles le long des bords du chariot et soulever le haut du dos

Triceps

Tirer les câbles vers les hanches le long des bords du chariot. Fléchir et tendre les coudes en les maintenant en place

CYGNE (NIVEAU 2)

Position de départ:

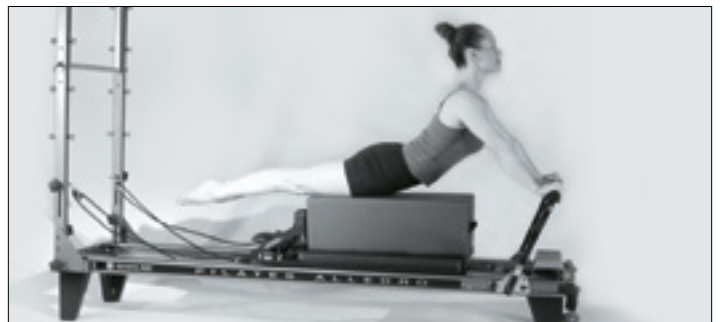
En couché ventral sur le coffre long, mains posées sur l'appui-pied (en position basse ou médiane), soulever le corps en tendant les bras, pousser la barre vers le bas pour soulever le corps en extension dorsale, ramener le buste à plat, fléchir les coudes.



Tirage de sangles



Tirage de sangles avec soulevé du haut du dos



Cygne

COFFRE COURT – ABDOMINAUX, TOUS NIVEAUX

6 répétitions

Ressorts : 4 ou 5

Coffre : court

Sangle : sangle de pied

Bâton dans les mains

Concentration

» Respiration : descendre en inspirant et revenir en expirant, ou descendre en expirant et revenir en inspirant

» Renforcement de la ceinture abdominale

» Creuser les abdominaux

» Renforcement dorsal

» Souplesse dorsale

Précautions

Lésions du dos, du cou et des épaules. Ostéoporose.

Préalables

Chariot sur Reformer, déroulé dorsal sur Cadillac

Position de départ

S'asseoir sur le coffre court face à l'appui-pied, pieds sous la sangle de pieds, genoux légèrement fléchis

Exercice standard

Incliner le torse vers l'arrière en décrivant une grande courbe, puis remonter.

Variante oblique

Incliner le torse vers l'arrière en décrivant une grande courbe, le faire pivoter de chaque côté, puis remonter.



SOULÈVEMENT DU BASSIN – NIVEAU 2

6 répétitions

Ressorts : 2 ou 3

Appui-tête : position basse

Concentration

- » **Respiration** : expirer en soulevant, inspirer en poussant, expirer en revenant, inspirer en déroulant vers le bas
- » Renforcement des ischio-jambiers et des fessiers
- » Creuser les abdominaux
- » Stabilité pelvienne
- » Mobilité de la colonne vertébrale

Précautions

Problèmes de dos. Flexion des genoux limitée. Limiter l'enroulement en cas de problèmes cervicaux.

Préalables

Soulevé pelvien au sol

Position de départ

Couché dorsal, avant-pieds ou talons sur la barre, jambes parallèles ou pieds en V et rotation externe des hanches

Exercice standard

Enrouler le pelvis en le soulevant du chariot, pousser vers l'arrière. En maintenant les hanches au même niveau, ramener le chariot. Dérouler vers le bas.

Position des jambes

Jambes parallèles, talons à l'écartement des ischions

Jambes parallèles et cuisses jointes

Jambes en V Pilates, talons joints

Talons à l'écartement du cadre, hanches en rotation externe.



TRAVAIL DES BRAS – NIVEAUX 1 ET 2

4 à 10 répétitions

Ressorts : 1 ou 2

Coffre : long, court ou sans

Boucles : ultra courtes, courtes ou normales

Concentration

- » **Respiration** : inspirer en tirant, expirer en relâchant
- » Renforcement des biceps, triceps, pectoraux et deltoïdes
- » Stabilisation scapulaire
- » Stabilisation du torse
- » Posture assise

Précautions

Problèmes de poignet, de bras ou d'épaule. Problèmes de dos limitant la capacité à s'asseoir

Préalables

Aucun

Variantes de la position assise pour tous les exercices

Position assise sur le chariot, jambes croisées, jambes tendues ou à genoux

Exercices s'effectuant face aux sangles

Biceps

Tenir les boucles ultra-courtes dans les mains, fléchir les coudes en tirant les sangles vers les épaules.

Triceps et deltoïdes postérieurs

Boucles dans les mains, bras tendus, tirer les sangles vers l'arrière jusqu'au niveau des hanches et donner aux bras une impulsion vers l'arrière

Servir un plateau

Position assise face à l'appui-pied, boucles normales dans les mains et coudes fléchis. Tendre les bras vers l'avant, écarter les bras avec les paumes tournées vers le haut, puis revenir

Embrasser un arbre

Position assise face à l'appui-pied, boucles normales dans les mains, bras écartés, coudes détendus. Amener le bout des doigts de chaque main en face du bout des doigts de l'autre



Biceps



Servir un plateau



Triceps



Embrasser un arbre



STATION DEBOUT – NIVEAUX 1 À 3

8 répétitions

Ressorts : 0 ou 1

Plateforme de station debout

Concentration

- » **Respiration** : expirer dans le mouvement et inspirer au retour
- » Renforcement des adducteurs et abducteur
- » Creuser les abdominaux
- » Alignement en station debout
- » Équilibre

Précautions

Problèmes d'équilibre

Préalables

Aucun

Position de départ

Debout avec un pied sur le cadre ou sur la plateforme de station debout et l'autre sur le chariot, face au bord latéral du Reformer. Utiliser le cadre pour le travail en parallèle et la plateforme de station debout pour le travail en rotation externe.

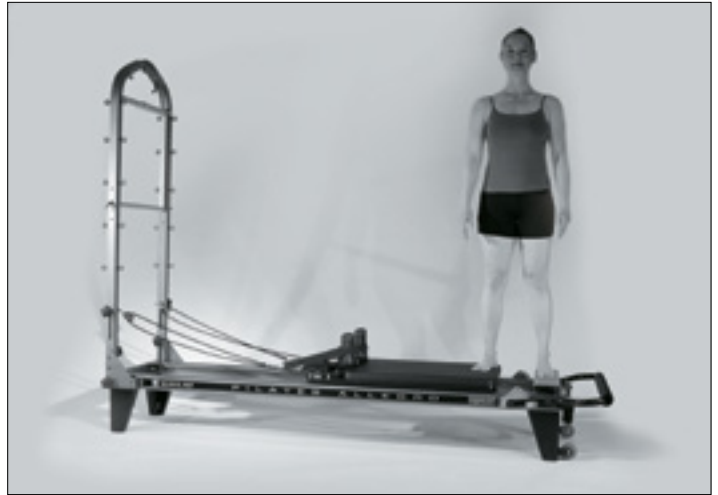
Exercice standard

Écarter les jambes, puis les rapprocher.

Diverses positions des jambes

Jambes droites, parallèles et tournées vers l'extérieur

Jambes fléchies, parallèles et tournées vers l'extérieur



Exercices avec l'Allegro[®] Tower

DÉFINITION DES TERMES DE PRÉPARATION AUX EXERCICES

- » **Niveau** : Le niveau de compétence requis pour entreprendre l'exercice.
- » **Répétitions** : Le nombre d'exécutions de l'action constituant l'exercice.
- » **Ressorts** : Le nombre et l'emplacement des ressorts sur le banc Trapèze.
- » **Boucles** : Les boucles à utiliser pour l'exercice.*
- » **Concentration** : Ce sur quoi il faut mettre l'accent pendant l'exercice.
- » **Précautions** : Affections physiques qui peuvent limiter ou exclure un participant. Il peut être nécessaire de modifier certains exercices pour les personnes touchées par ces affections.
- » **Préalables** : Exercices particuliers qui doivent être maîtrisés avant d'entreprendre un nouvel exercice.
- » **Position de départ** : La position à prendre pour commencer l'exercice sur le banc Trapèze.
- » *Le cas échéant.

DÉROULÉS ARRIÈRE – NIVEAU 1

6 à 10 répétitions

Ressorts : 2 ressorts jaunes longs ou courts à partir de la position haute

Barre Rollback ou poignées

Concentration

- » **Respiration** : expirer en déroulant vers le bas, inspirer à plat sur le tapis, expirer en remontant
- » Équilibre entre les abdominaux et les extenseurs lombaires
- » Détente du cou et des épaules
- » Maintien de la courbure en C
- » Détente des fléchisseurs des hanches

Précautions

Problèmes de cou et d'épaules. Certains problèmes lombaires. Ostéoporose.

Position de départ

S'asseoir face à l'extrémité ouverte de la Cadillac, barre ou poignées dans les mains, genoux détendus, pieds sur les barres en métal.

Exercice standard

Tenir la barre avec les bras tendus, dérouler vers le bas en courbant le dos de façon à garder le buste soulevé, puis rouler vers le haut en maintenant une légère flexion de la colonne vertébrale.

Variantes obliques

Barre en bois (Ski nautique)

S'asseoir en diagonale sur le banc de façon à placer le pied gauche contre le montant gauche, croiser le pied droit par-dessus la cheville gauche, tenir la barre de la main gauche et tendre le bras droit vers l'extérieur tout en faisant pivoter le torse vers la droite.

Dérouler vers le bas et remonter en maintenant la rotation, puis changer de côté.



Ski nautique

PIEDS DANS LES SANGLES – NIVEAU 1

6 à 10 répétitions

Ressorts : ressorts longs accrochés à la position médiane, haute ou surplombante
Boucles ou sangles à fermeture velcro autour des chevilles ou des voûtes plantaires

Concentration

- » **Respiration** : expirer dans le mouvement et inspirer au retour, ou l'inverse
- » Colonne vertébrale en position neutre
- » Creuser les abdominaux
- » Stabilité pelvienne
- » Force des ischio-jambiers, des adducteurs et des fessiers.
- » Souplesse des ischio-jambiers et adducteurs
- » Alignement des jambes

Précautions

Lésions dorsales, certaines lésions du genou et ischio-jambiers froissés

Position de départ

Couché dorsal sur le banc, tête du côté ouvert, sangles à fermeture velcro sur les chevilles (ressorts accrochés à la barre surplombante) ou boucles autour des voûtes plantaires (ressorts accrochés en position médiane ou haute).

Abaissements de jambes

Avec les deux pieds dans les boucles ou sangles à fermeture velcro et les cuisses jointes, abaisser les jambes vers le banc en maintenant la stabilité du pelvis.

Variantes : jambes parallèles ; jambes tournées vers l'extérieur ou l'intérieur ; ballon ou cerceau magique tenu entre les jambes.

Cercles

Avec les deux pieds dans les boucles ou sangles à fermeture velcro, décrire des cercles dans les deux directions en maintenant la stabilité du pelvis.

Variantes : jambes parallèles, tournées vers l'extérieur ou tournées vers l'intérieur

Ciseaux

Avec les deux jambes dans les boucles ou sangles à fermeture velcro, abaisser les jambes vers le banc, puis écarter et rapprocher les jambes en maintenant la stabilité du pelvis.

Variantes : jambes parallèles, tournées vers l'extérieur ou tournées vers l'intérieur

Marche

Avec les deux pieds dans les boucles ou sangles à fermeture velcro, abaisser et remonter chaque jambe vers le banc en alternance tout en maintenant la stabilité du pelvis.

Variantes : jambes parallèles, tournées vers l'extérieur ou tournées vers l'intérieur



Abaissements de jambes



Cercles



Marche (ressorts en position médiane)



6 à 10 répétitions

Ressorts : Ressorts longs depuis la position intermédiaire

Boucles autour des arceaux

Concentration

- » **Respiration** : expirer en descendant, inspirer en montant
- » Correction du couché latéral (taille droite, hanches et épaules alignées)
- » Creuser les abdominaux
- » Stabilité pelvienne et isolation de la jambe par rapport au pelvis
- » Renforcement de l'adducteur, des ischio-jambiers médians et de la rotation externe

Précautions

Certaines lésions du dos, lésions du genou et articulations sacro-iliaques instables

Position de départ

Se coucher sur le côté sur l'Allegro Tower avec l'arrière du corps parallèle au bord arrière du matelas et les jambes légèrement en avant.

Soutenir le corps en se tenant au montant avec le bras inférieur ou en posant la tête sur ce dernier.

Placer la boucle autour de l'arceau.

Exercice standard

Ramener la jambe du haut vers la jambe du bas.

Maintenir une position couchée sur le côté correcte.

Variantes : jambes parallèles, tournées vers l'extérieur (plus grande amplitude du mouvement) ou tournées vers l'intérieur.

Ovales

En maintenant l'alignement correct, décrire un petit cercle dans les deux directions avec la jambe supérieure.

Variantes : jambes parallèles, tournées vers l'extérieur ou tournées vers l'intérieur

Battement de pied avant-arrière

En maintenant l'alignement correct, balancer la jambe supérieure vers l'avant et vers l'arrière (comme dans le battement latéral au sol).

Variantes : jambes parallèles, tournées vers l'extérieur ou tournées vers l'intérieur



Traction des adducteurs



Battement de pied avant-arrière

10 répétitions

Ressorts : 2 ressorts violets longs depuis le bas sur la barre

Push-through sangle de sécurité en place

Concentration

- » **Respiration** : inspirer en poussant, expirer au retour
- » Colonne vertébrale sur le tapis ou en position neutre
- » Alignement des hanches, des chevilles et des pieds
- » Souplesse des mollets et des ischio-jambiers
- » Force des hanches, des chevilles et des jambes

Précautions

Lésions du dos ou du genou

Pliés et flexion plantaire

Position de départ

Position de décubitus dorsal sur l'Allegro Tower avec les pieds sur la barre

Push-through et les ressorts attachés depuis la position basse sur la barre

Push-through

Pliés

En couché dorsal, barre articulée alignée sur le pli antérieur des hanches, fléchir les genoux et les hanches, placer les métatarses contre la barre, puis tendre les jambes et les replier.

Autres points de contact possibles des pieds : talons, orteils

Autres positions des jambes possibles : jambes parallèles ou tournées vers l'extérieur, pieds en V, 2e position écartée, une seule jambe

Plié-relevé

En couché dorsal, barre articulée alignée sur le pli antérieur des hanches, hanches et genoux fléchis, métatarses ou orteils contre la barre.

Pousser la barre vers le plafond en dépliant les genoux, mettre les chevilles en flexion plantaire puis en flexion dorsale, revenir à la position de départ.

Variantes : jambes parallèles ; jambes tournées vers l'extérieur ; une seule jambe

Flexion plantaire

En couché dorsal, barre articulée alignée sur le pli antérieur des hanches, jambes droites, métatarses ou orteils contre la barre, mettre les chevilles en flexion plantaire puis en flexion dorsale.

Variantes : jambes parallèles ; jambes tournées vers l'extérieur ; une seule jambe ; course sur place



Pliés



Flexion plantaire



Flexion plantaire

POUSSÉE ASSISE – NIVEAU 1

6 répétitions

Ressorts : 1 ressort rouge court depuis le haut sur la barre
Push-through

Concentration

- » Respiration : expirer en s'étirant vers l'avant, inspirer en s'étirant vers le haut, ou l'inverse
- » Flexion et extension de la colonne vertébrale
- » Souplesse des ischio-jambiers
- » Stabilité et mobilité scapulaire
- » Creuser et soulever les abdominaux
- » Coordination de la respiration avec la mobilité de la colonne vertébrale

Précautions

Certaines lésions du dos et de l'épaule

Préalables

Extension de la colonne vertébrale au sol

Position de départ

S'asseoir sur le banc, face à l'extrémité « Tour », avec les pieds contre les montants et poser les deux mains sur la barre articulée (les genoux peuvent être droits ou fléchis selon la souplesse de chacun).

Exercice standard

Appuyer sur la barre, courber la colonne vertébrale en commençant par le sommet du crâne, puis pousser la barre en avant et s'étirer.

Revenir en creusant les abdominaux et en remplissant la colonne vertèbre par vertèbre pour finir assis sur les ischions.

Pousser la barre vers le haut et incliner le buste vers l'avant à partir des hanches en gardant le dos plat avant de recommencer.



CHAT – NIVEAU 3

4 répétitions

Ressorts : 2 courts accrochés au-dessus de la barre articulée

Concentration

- » **Respiration** : expirer en enroulant vers le bas, inspirer en poussant vers l'avant, expirer en tirant, inspirer en déroulant.
- » Souplesse de la colonne vertébrale
- » Stabilité et mobilité scapulaire
- » Creuser et soulever les abdominaux
- » Coordination de la respiration avec mobilité intégrale de la colonne vertébrale

Précautions

Lésions du dos, de l'épaule ou du genou. Ostéoporose.

Préalables

Étirements du chat et du chameau au sol

Position de départ

À genoux sur le banc, mains tenant la barre articulée près du buste.

Exercice standard

Appuyer sur la barre et enrouler la colonne vertébrale vers le bas en commençant par le sommet du crâne.

Pousser la barre en allongeant la colonne vertébrale.

Revenir en rentrant les abdominaux et en réenroulant la colonne vertébrale avant de rempiler les vertèbres une par une de façon à retrouver la position de départ (garder autant que possible les hanches appuyées vers l'avant au-dessus des genoux).



SCIE CIRCULAIRE – NIVEAU 2

4 répétitions

Ressorts : 2 ressorts jaunes courts depuis le haut sur la barre Push-through

Concentration

- » **Respiration** : expirer en s'étirant, inspirer en décrivant le cercle, expirer en poussant, inspirer en décrivant le cercle dans l'autre sens
- » Souplesse de la colonne vertébrale en rotation
- » Stabilité et mobilité scapulaire
- » Creuser et soulever les abdominaux
- » Coordination de la respiration avec mobilité intégrale de la colonne vertébrale

Précautions

Certaines lésions du dos et de l'épaule

Préalables

Scie au sol

Position de départ

S'asseoir sur le banc, face à l'extrémité « Tour », avec les pieds contre les montants, la main droite poussant la barre articulée vers le haut et le bras gauche tendu vers le pied droit.

Exercice standard

Décrire avec la main gauche le plus grand cercle possible autour du corps, d'abord en direction du pied gauche puis en laissant le torse se pencher vers l'arrière, sans relâcher les abdominaux soulevés ni compromettre l'intégrité du torse, jusqu'à ce que le bras gauche soit tendu vers le pied droit par-dessus le bras droit.

Inverser le cercle

Faire quatre répétitions avec chaque bras en gardant les ischions bien ancrés pour stabiliser le pelvis (ou en relâcher un légèrement pour augmenter l'extension).



TRACTION DES DEUX BRAS EN POSITION ASSISE – NIVEAU 1 OU 2

4 à 10 répétitions

Ressorts : 1 ou 2 ressorts courts accrochés au-dessus de la barre articulée

Tige ou bâton rembourré

Concentration

» **Respiration :** expirer en tirant et inspirer en relâchant, ou inspirer en tirant et expirer en relâchant

» Stabilité et mobilité scapulaire

» Épaules abaissées

» Creuser les abdominaux

» Équilibre sur les ischions

Précautions

Lésions des épaules. Modifier l'exercice en cas de raideur des adducteurs.

Position de départ

Se mettre à cheval sur la table face au Tower, mains sur la barre Push-Through, ou s'asseoir jambes croisées à l'intérieur du châssis de la barre Push-through.

On peut aussi se tenir sur l'extérieur de l'Allegro face au Tower.

Tractions descendantes avec bâton

Tenir la tige ou le bâton rembourré avec les mains aussi écartées que possible et les palmes tournées vers soi.

Tirer la barre vers le bas en veillant à garder le cou et le haut des épaules détendus.

Ramener la barre en position de départ sans soulever les épaules.



Tractions descendantes avec bâton

Das Balanced Body Allegro® Reformer Allegro® Tower-System

DIES IST EIN MEDIZINISCHES GERÄT.

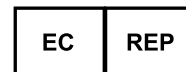
Englisch: ab Seite 1
Spanisch: ab Seite 50
Italienisch: ab Seite 103
Französisch: ab Seite 156
Deutsch: ab Seite 206
Chinesisch: ab Seite 259



Angabe der bestimmungsgemäßen Verwendung

Das Gerät Allegro® Reformer Allegro® Tower-System wurde vom Hersteller für die Verwendung durch Personen zu Zwecken der Physiotherapie, der Rehabilitation, der Vorbeugung, Behandlung und Linderung von Verletzungen, der unterstützenden, funktionellen Therapie bei einer Behinderung oder zur allgemeinen Stärkung und Verbesserung der Mobilität des menschlichen Körpers vorgesehen. Sollten bei der Anwendung Verletzungen auftreten, Bericht und der zuständigen Behörde des Mitgliedstaats gemeldet, in dem der Benutzer und / oder Patient ansässig ist.

Für gedruckte Anweisungen wenden Sie sich an Balanced Body.



EMERGO EUROPE
Prinsessegracht 20
2514 AP The Hague
The Netherlands



WICHTIG:

Diese Gebrauchsanweisung ist für medizinisches Fachpersonal und Fitnessexperten oder Personen, die mit diesem Gerät Erfahrung haben, bestimmt. Falls Sie Fragen bezüglich der Verwendung bei einer bestimmten Bewegungsabfolge haben, wenden Sie sich bitte an einen zugelassenen Facharzt.

Sicherheitshinweis: Warnung – das Allegro enthält brennbare Materialien. Bitte setzen Sie das Gerät keiner direkten Hitze/offenen Flamme aus.

EINLEITUNG

Das Allegro-System wurde entwickelt, um die Funktionen des Allegro Reformer und des Half Trapeze Tower in einem kompakten und transportablen Pilates-Gerät zu vereinen. Der Allegro Tower kann auf jedem Allegro-Produkt montiert werden und ermöglicht die Durchführung zusätzlicher Übungen, ohne die Grundfläche des Geräts zu vergrößern. Diese Gebrauchsanweisung beschreibt die Funktionen des Allegro Reformer und des Allegro Tower sowie der empfohlenen Übungen.

Balanced Body ist die weltweit führende Bezugsquelle für Pilates-Geräte, -Training und -Informationen. Der Balanced Body Studio Reformer ist weltweit der meistverkaufte Fitness-Reformer und sein Allegro Reformer setzt derzeit den Pilates-Standard für Gesundheit und Fitness-Studios rund um die Welt.

TIPPS FÜR DEN AUFBAU (BITTE ZUERST LESEN)

- » Wenn Sie einen Allegro Reformer ohne Leg-Kit aufstellen, befolgen Sie bitte diese Reformer-Anleitung.
- » Wenn Sie einen Allegro Reformer mit Leg-Kit aufstellen, montieren Sie zuerst die Beine und stellen anschließend den Reformer auf.
- » Wenn Sie einen Allegro Reformer mit einem Tower-System, aber ohne Leg-Kit aufstellen, befolgen Sie bitte diese Anleitung für den Reformer und anschließend den Abschnitt über das Tower-System.
- » Wenn Sie einen Allegro Reformer mit einem Tower-System und einem Leg-Kit aufstellen, montieren Sie zuerst das Leg-Kit und dann das Tower-System. Um Zeit zu sparen, bringen Sie die kopfseitigen Schienen-Abdeckplatten nicht, wie in der Montageanleitung des Leg-Kits beschrieben wird, erneut an. Zur Montage des Tower müssen diese wieder abgenommen werden.
- » Wenn Sie einen Allegro Stretch Reformer aufstellen, sehen Sie bitte auf Seite 218 nach. Für Allegro Stretch-Fußleisten-Funktionen siehe Seite 221.

Funktionen des Balanced Body® Allegro®-Systems

KOPFSTÜTZE

Die Kopfstütze wird dazu verwendet, um Kopf, Hals und Schultern des Anwenders optional zu stützen, während er in Rückenlage liegt. Beim Allegro kann die Kopfstütze über einen Auflageblock unter der Kopfstütze auf drei verschiedenen Positionen eingestellt werden:

- » **Niedrig (flach)** – der Auflageblock ist zur Oberseite der Kopfstütze hin geklappt. Verwendung bei Anwendern mit relativ gerader Brustwirbelsäule und flachem Brustkorb für Bein- und Fußübungen und für beliebige Übungen in Rückenlage.
- » **Sicherheitshinweis:** Die niedrige Position der Kopfstütze wird für Übungen verwendet, bei denen der Anwender auf seine Schultern abrollt. Eine niedrige Kopfstütze verhindert, dass der Anwender die Halswirbelsäule überdehnt und sich eine Verletzung am Hals/Nacken zuzieht.
- » **Mittel** – der Auflageblock liegt auf der Nute in der Mitte des Auflageblocks auf.
- » **Hoch (oben)** – die Unterseite des Auflageblocks liegt auf dem Schlitten auf. Verwendung bei Anwendern mit einem vorgeneigten Kopf oder einem tiefen Brustkorb, um die richtige Körperausrichtung zu erleichtern.

Anmerkung für den Fitnessstrainer: Zusätzlich zur oder anstelle der Kopfstütze kann ein Handtuch verwendet werden, um die Kopfhöhe anzupassen.

LEICHT REGELBARE DREHRIEGEL-RASTKNÖPFE

Die Allegro® Reformer und Clinical Reformer® und Studio Reformer® mit Infinity Fußbügeln von Balanced Body haben Drehriegel-Rastknöpfe, die das Einstellen des Reformer Fußbügels wesentlich vereinfacht.

Zum Einstellen ziehen Sie bitte den Rastknopf gerade nach oben, sodass der versenkte Querstift aus dem Schlitz herauskommt, wie in Abb. A gezeigt. Drehen Sie den Knopf, sodass der Querstift auf dem Verschlusskopf verbleibt, wie in Abb. B gezeigt. Auf der anderen Seite wiederholen.

Verschieben Sie den Fußbügel entlang des Rahmens Ihres Reformers mit den Knöpfen in der „Entsperrt“-Position bis in die gewünschte Stellung. Drehen Sie anschließend die Knöpfe, sodass die Querstifte wieder versenkt sind und dadurch den Fußbügel fest in seiner neuen Stellung verriegeln.

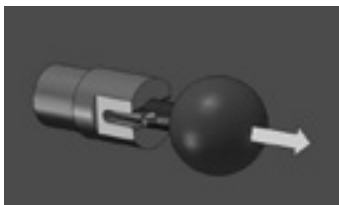


Abb A



Abb B

HORIZONTALE EINSTELLUNGEN DER FUSSTANGE

Der Allegro ist mit einer beweglichen, einstellbaren Fußstange ausgestattet, die sich an die Größe des Anwenders anpassen lässt. Ziehen Sie zur Anpassung der Fußstange die runden schwarzen Knöpfe an der Unterseite der Fußstange heraus, drehen Sie sie um 90 Grad und stellen Sie sie in dieser Position fest. Schieben Sie die Fußstange vor- oder rückwärts, bis sie mit dem passenden Loch auf der Schiene übereinstimmt. Drehen Sie den Knopf erneut, bis der Stift in eines der Löcher einrastet. Vergewissern Sie sich, dass der Stift vollständig eingerastet ist.

- » **Loch 1** liegt direkt am Fußstangenende des Reformers und ermöglicht die weiteste Entfernung zwischen den Schulterstützen und der Fußstange. Es wird für größere Anwender verwendet (über 1,82 Meter oder falls eine tiefere Knie- und Hüftbeugung gewünscht wird).
- » **Loch 2** ist für Anwender zwischen 1,75 Meter und 1,82 Meter.
- » **Loch 3** ist für Anwender zwischen 1,65 Meter und 1,75 Meter.
- » **Loch 4** ist für Anwender zwischen 1,47 Meter und 1,65 Meter.

Die hier angegebenen Höhenbeispiele sind Vorschläge. Wenn der Schlitten bei Bein- und Fußübungen ganz eingefahren ist, sollte es dem Anwender durch richtige Fußstangenanpassung möglich sein, eine Hüftbeugung von geringfügig weniger als 90° zu erzielen.

VERTIKALE EINSTELLUNGEN DER FUSSTANGE

Zur vertikalen Einstellung der Fußstange drücken Sie den Griff am Ende der Fußstange zusammen, bis sich der Stift aus der Platte löst. Bewegen Sie die Fußstange bis zur gewünschten Höhe und lassen Sie den Stift im Loch einrasten.

- » **Hohe Stange** – bewegen Sie den Stift über das oberste Loch und lassen Sie den Griff los. Die hohe Stangenposition verkürzt den Zwischenraum zwischen den Schulterstützen und der Fußstange. Diese Position eignet sich für Fuß- und Beinübungen bei kleineren Anwendern und bei Anwendern, die bei der Positionierung ihres Rückens aufgrund einer Lendenlordose oder Rückenverspannung Probleme haben.
- » **Mittelhohe Stange** – platzieren Sie den Stift im zweiten Loch, ausgehend von der Oberseite der Platte. Die mittlere Stangenposition verlängert den Zwischenraum zwischen den Schulterstützen und der Fußstange. Dies verringert die Beugung der Knie bei Fuß- und Beinübungen und platziert den Oberkörper in einer neutralen, aufrechten Position.
- » **Niedrige Stange** – platzieren Sie den Stift im dritten Loch auf der Platte. Die niedrige Stangenposition vergrößert den Zwischenraum zwischen den Schulterstützen und der Fußstange auf die maximale Distanz. Dies verringert die

Beugung der Knie bei Fuß- und Beinübungen, verringert die Beugung des Oberkörpers und der Hüften bei der Elefant-Übung und kann für größere oder beweglichere Anwender von Nutzen sein.

- » **Keine Stange** – platzieren Sie den Stift im untersten Loch auf der Platte. Für Standübungen und Übungen, bei denen der Anwender auf der Box liegt, wird die Stange entfernt.

FEDERANPASSUNGEN

Anhand von Federn lässt sich der Widerstand für verschiedenen Übungen unterschiedlich einstellen. Beim Allegro lassen sich mindestens 30 verschiedene Widerstandseinstellungen verwenden. Die empfohlenen Gewichtsspannen sind unter jeder Übung angegeben.

ÄNDERN DER FEDER-BEFESTIGUNGSPUNKTE

Beim Allegro wird die Federspannung durch die Montage verschiedener Federkombinationen an den Pflöcken unter der Standplattform eingestellt. Zur sicheren Anpassung der Federn sollten Sie sich vergewissern, dass sich der Schlitten in der Ausgangsposition befindet.

- » **Normale Position** – Platzieren Sie die Feder auf dem Pflock, direkt vor dem Pflock. In dieser Position stehen die Federn anfangs nicht unter Spannung. Dies wird als „B“-Position bezeichnet. Es gibt fünf verschiedene B-Positionen.
- » **Vorgespannte Position** – Platzieren Sie die Feder auf dem Pflock, direkt links oder rechts des Pflocks unter der Standplattform. Diese Position setzt die Federn unter geringe Spannung und erhöht den Widerstand der Federn. Dies wird als „A“-Position bezeichnet. Es gibt sechs verschiedene A-Positionen.

FEDERGEWICHT

Der Federwiderstand wird durch die ungefähre Anzahl der Federn angegeben, die für eine bestimmte Übung empfohlen werden. Das angegebene Federgewicht ist eine empfohlene Ausgangsstellung. Entsprechend der Bedürfnisse und des Übungsfortschritts des Anwenders können individuelle Anpassungen vorgenommen werden.

- » 1 Feder (leicht): Wird vorrangig für Armübungen oder bei Übungen verwendet, bei denen der Schlitten dem Anwender eine leichte Unterstützung bietet.
- » 2 Federn (leicht bis mittel): Wird für Armübungen, Beinübungen und Übungen verwendet, bei denen der Schlitten dem Anwender Unterstützung bietet.
- » 2-4 Federn (mittel bis schwer): Wird vorrangig für Beinübungen und bei kräftigeren Anwendern verwendet, die einen erhöhten Widerstand benötigen.

- » Alle Federn: Wird für maximalen Widerstand oder zur Stabilisierung des Schlittens für Übungen der Short-Box-Bauchserie verwendet.

- » Keine Federn: Wird für zusätzliche Schwierigkeit bei Übungen verwendet, bei denen der Anwender den Schlitten kontrollieren muss (kniendes Bauchmuskeltraining, Elefant-Übung, lange Dehnungsserien).

FEDERFOLGE BEIM ALLEGRO

Beachten Sie bitte, dass diese Federkombinationen die normale Abfolge bei einem neuen Standardgerät darstellen und dass diese je nach Alter und abhängig von der spezifischen Widerstandskraft Ihrer Federn geringfügig variieren kann. Um die optimale Abfolge für Ihr Gerät herauszufinden, empfiehlt es sich die verschiedenen Federkombinationen selbst auszuprobieren.

FARBMARKIERUNG DER FEDERN

Die folgenden Farbmarkierungen stellen den Standard für Balanced Body-Geräte dar

Gelb – sehr leicht

Blau – leicht

Rot – mittel

Grün – schwer

SEILE UND SCHLAUFEN

Seile werden entsprechend den bestimmten Übungsanforderungen und Anwendergrößen eingestellt. Zur Minimierung der Seilanpassungen verfügen die Gurte über Doppelschlaufen, die es dem Anwender ermöglichen, die Seile auch ohne Längenanpassung auf zwei verschiedenen Höhen zu greifen.

Die Seilanpassungen, die in dieser Gebrauchsanweisung verwendet werden, sind:

- » Normale Schlaufen: Der Widerstand der Schlaufe oder des Griffs ist an den Schulterstützen etwas gespannt. Der Anwender hält bei Doppelschlaufengurten die längere Schlaufe. Standard bei den meisten Übungen.
- » Kurze Schlaufen: Der Widerstand der Schlaufe oder des Griffs ist an den schwarzen Pflöcken etwas gespannt. Der Anwender hält bei Doppelschlaufengurten die kürzere Schlaufe. Wird zum Rudern und bei einigen Armübungen verwendet.
- » Sehr kurze Schlaufen: Schlaufe oder Griff ist etwa zwölf Zentimeter kürzer als die Kopfstütze. Wird für kniende Armübungen verwendet, bei denen der Anwender mit dem Gesicht zu den Gurten gerichtet ist, wie bei Brustübungen oder Übungen zum Dehnen der Oberschenkel.

- » Lange Schlaufen: Schlaufe oder Griff ist länger als die Schulterstütze um die Länge einer Baumwollschlaufe. Wird zur Dehnung der gesamten Wirbelsäule und für Übungen zur Dehnung stark angespannter hinterer Oberschenkelmuskel verwendet, bei denen der Anwender die Füße in die Gurte platziert.

STÄNDER

Die Ständer lassen sich anpassen, indem man einen Knopf lockert, der die Seilrolle im Schlitz des Towers hält, und die Seilrolle nach oben oder unten bewegt.

DER ALLEGRO TOWER

Der Allegro Tower besteht aus einem Metallrahmen, der am Kopf des Allegro Reformer angebracht wird. Die Ösenbolzen im Rahmen dienen als Befestigungspunkte für die Federn. An den Federn können Schlaufen, Griffe oder eine hölzerne Abrollstange befestigt werden, die eine Vielzahl von Übungen ermöglichen. Der Allegro Tower ist ebenfalls mit einer Push-Through-Stange (PTS) ausgestattet.

FEDER-BEFESTIGUNGSPUNKTE

Der Allegro Tower hat 24 Feder-Befestigungspunkte, die eine Vielzahl von möglichen Übungen und Anpassungsmöglichkeiten zulassen. Jeder Pfosten verfügt über fünf vorderen Ösenbolzen und fünf hinteren Ösenbolzen, sodass der Anwender Übungen von beiden Seiten des Tower aus durchführen kann. Zwei am Allegro-Rahmen angebrachte Ösenbolzen ermöglichen eine niedrige Position; weiterhin sind zwei Ösenbolzen an den Seiten des Tower-Bogens angebracht und einer am höchsten Punkt in der Mitte. Dieser mittlere Ösenbolzen hält den Sicherheitsriemen in Position. An diesem Ösenbolzen dürfen KEINE Federn befestigt werden. Die normalen Feder-Befestigungspunkte sind unten und in jeder Übungsbeschreibung angegeben.

Zur Anpassung der Federspannung für einen bestimmten Anwender bewegen Sie den Befestigungspunkt weiter vom Anwender weg, um die Feder stärker zu spannen, und näher zum Anwender hin, um die Feder zu entlasten.

Niedrig: Die Federn sind unten am Allegro-Rahmen an Ösenbolzen befestigt. Diese Federn werden dazu verwendet, um die Push-Through-Stange in Position zu halten.

Mittel: Federn werden am dritten Ösenbolzen von unten befestigt.

Hoch: Federn werden beidseitig an den höchsten Punkten des Bogens oben am Tower befestigt.

ALLEGRO TOWER-FEDERN

Der Allegro Tower wird mit vier Federsätzen geliefert. Dazu gehören:

2 Sätze – kurze Federn

Gelb – sehr leicht Blau – leicht

2 Sätze – lange Federn

Gelb – sehr leicht Violett – mittel

ANPASSUNGEN DER PUSH-THROUGH-STANGE

Für der Push-Through-Stange gibt es drei mögliche Drehpunkte am Tower-Rahmen. Zur Anpassung der Push-Through-Stange drücken Sie den Knopf oben am T-Stift, damit sich der Stift löst. Ziehen Sie die Stifte aus den Pfosten, bewegen Sie die Stange zum entsprechenden Loch und lassen Sie die Stifte wieder einrasten. Bringen Sie die Push-Through-Stange nach dem Verstellen immer zurück auf eine sichere Höhe.

SICHERHEITSHINWEIS:

Es ist sehr wichtig, dass ein Fitnesstrainer anwesend ist und den Anwender überwacht, wenn dieser mit der Push-Through-Stange übt. Es ist sehr wichtig, dass der Drehpunkt hoch genug liegt und den Kopf des darunter liegenden Anwenders nicht berührt. Wenn ein Anwender einen besonders großen Kopf, einen ausgeprägte Brustkyphose oder eine lange Nase hat, kann es passieren, dass die Stange während einer Übung dagegen stößt. Die Push-Through-Stange sollte niemals so niedrig eingestellt werden, dass sie den darunter liegenden Anwender berührt. Wenn die Federn der Push-Through-Stange unten eingehängt sind, muss stets der Sicherheitsriemen verwendet werden. Der Sicherheitsriemen muss so eingestellt werden, dass der Winkel der Push-Through-Stange bei einer seitlichen Ansicht nicht unterhalb der 120° bzw. 240°-Position liegt und sie den Anwender nicht berührt, wenn die Füße versehentlich von der Stange abrutschen.

REINIGUNG UND DESINFEKTION DER POLSTERUNG.

Für maximale Haltbarkeit der Polsterung sollte diese regelmäßig gereinigt und von Schmutz, Öl und Schweiß befreit werden. Wischen Sie die Polsterung nach jeder Benutzung mit einer Lösung aus Wasser und milder Seife ab. Entfernen Sie Seifenreste mit sauberem Wasser und trocknen Sie die Polsterung mit einem Lappen.

Sicherheit geht vor: Eine Anleitung zur ordnungsgemäßen Wartung und sicheren Handhabung Ihres Pilates-Geräts.

Seit mehr als 35 Jahren sorgt Balanced Body für innovative sicherheitstechnische Verbesserungen bei Pilates-Geräten. Viele dieser Verbesserungen sind zum Industriestandard geworden, und Pilates-Geräte sind heute sicherer als je zuvor.

Zusätzlich zur Qualität des Geräts hängt die Sicherheit von ordnungsgemäßer Wartung und sicherem Gebrauch ab. Diese Anleitung wurde erstellt, um die Verwendung und Wartung Ihres Geräts mit optimaler Sicherheit zu ermöglichen. Bitte lesen Sie diese Anleitung sorgfältig durch und bewahren Sie sie zum späteren Nachschlagen auf. Bitte rufen Sie uns an, wenn Sie Fragen haben. **Das Nichtbeachten dieser Anweisungen kann zu schweren Verletzungen führen.**

ALLE AUSSTATTUNGSELEMENTE

Federn

Das Überprüfen der Federn ist von essentieller Bedeutung, um Ihre Ausstattung in einem für den Einsatz sicheren Zustand zu halten. Sämtliche Federn von Balanced Body sollten mindestens alle zwei Jahre ausgetauscht werden. Durch bestimmte Umgebungen und bestimmtes Nutzungsverhalten kann sich die Lebensdauer der Federn verkürzen und Sie müssen die Federn möglicherweise häufiger austauschen. Deshalb ist es sehr wichtig, die Federn in regelmäßigen Abständen zu kontrollieren, da abgenutzte oder alte Federn ihre Spannkraft verlieren und eventuell während der Benutzung brechen könnten. Falls eine Feder während der Benutzung bricht, kann dies zu Verletzungen führen.

Lassen Sie die Federn beim Gebrauch nicht unkontrolliert zurückschnellen. Dies führt zu Schäden an den Federn und zu einer Verkürzung von deren Lebensdauer.

Überprüfen Sie die Federn auf Lücken und Knicke (wöchentlich oder monatlich, je nach Häufigkeit der Benutzung). Schauen Sie nach Lücken und Knicken zwischen den Windungen, wenn sich die Feder in Ruheposition befindet. Es ist nicht ungewöhnlich, wenn die Feder am verjüngten Ende eine schmale Lücke aufweist (eine Lücke kann manchmal im Herstellungsprozess entstehen). Am Federkörper sollten jedoch keine Lücken auftreten. Falls Sie Lücken oder Knicke am Federkörper sehen, stellen Sie die Verwendung ein und ersetzen Sie die Feder umgehend. Siehe **Abb. 1**. Darüber hinaus führt Rost an den Windungen zur Verkürzung der Lebensdauer der Feder. Stellen Sie die Verwendung der Feder sofort ein, wenn Sie während der Überprüfung Rost entdecken.

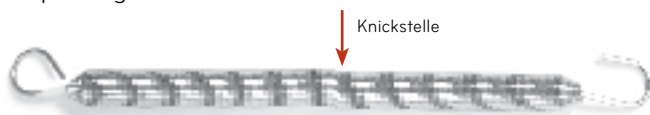


Abb. 1

Schnappverbindungen

Schnappverbindungen auf Abnutzung prüfen (monatlich). Überprüfen Sie nächst die ordnungsgemäße Funktion des Schnapphakens. Wenn sich der Schnapphaken nicht richtig zurückzieht und wieder einschnappt, muss die Feder sofort entfernt und die Schnappverbindung ausgetauscht werden. Die Ösenbolzen können zu übermäßiger Abnutzung der Schnapphaken führen.

Wenn der Haken große Abnutzung aufweist, stellen Sie die Benutzung der Feder sofort ein und rufen Sie Balanced Body an, um die Feder oder Schnappverbindung zu ersetzen. Siehe **Abb. 2**.



Abb. 2: Schnappverbindung: keine Abnutzung am Haken.



Beschädigte Schnappverbindung: übermäßige Abnutzung am Haken.

ÖSENBOLZEN, MUTTERN UND SCHRAUBEN

Alle Bolzen und Schrauben am Gerät festziehen (monatlich). Stellen Sie sicher, dass alle Ösenbolzen, Muttern und Schrauben festgezogen sind. Siehe Abschnitt „Überprüfen und Festziehen von Muttern und Schrauben“.

SEILE UND GURTE

Abnutzung an Seilen und Gurten (vierteljährlich). Seile sollten ersetzt werden, wenn durch den Mantel des Seils der Kern sichtbar ist oder die Seile abgeflacht sind. Gurte sollten ersetzt werden, sobald Ausfransungen festgestellt werden. Achten Sie darauf, insbesondere die Abschnitte von Seilen oder Gurten zu überprüfen, die an den Klemmen angebracht sind oder über die Umlenkrollen laufen.

REFORMER

Haken oder Ösenbolzen der Federstange (vierteljährlich). Balanced Body stellt zwei verschiedene Federstangensysteme her:

» Revo-Federstange. Die Haken und den Griff der Federstange auf festen Sitz überprüfen.

Standard-Federstange. Die Muttern der Federstangenhaken auf festen Sitz überprüfen. „Überprüfen und Festziehen von Muttern und Schrauben“.

Federn untereinander austauschen (vierteljährlich). Sie können die Lebensdauer der Reformer-Federn verlängern, indem Sie vierteljährlich die Federn mit derselben Belastungsgrenze untereinander austauschen. Haken Sie die Federn aus und bringen Sie sie an einer anderen Stelle der Federstange an. So werden die Federn gleichmäßiger abgenutzt.

Ständer an der Außenseite. Holzständer müssen an der Außenseite des Rahmens angebracht werden. Die Ständer können sich im Laufe der Zeit lockern und müssen daher stets auf festen Sitz überprüft werden.

Federn unter dem Schlitten nach unten hin einhaken. Sicherstellen, dass die Federn nach unten hin eingehakt sind. Siehe Abb. 3.



Abb. 3: Federhaken zeigen nach unten

Schlitten absichern. Wenn Ihr Reformer nicht verwendet wird, muss der Schlitten mit mindestens zwei Federn an der Federstange abgesichert werden.

Standardeinstellungen. Viele Anwender haben für die Reformer eine „Standardeinstellung“. Am Ende einer Trainingsperiode stellt der Anwender eine vorgegebene Anzahl von Federn auf eine neutrale Spannung ein, stellt die Fußstange auf eine vorbestimmte Höhe und die Seile auf eine vorgegebene Länge ein. Somit steht das Gerät zur nächsten Verwendung bereit und der Schlitten ist durch die Federn abgesichert.

Fußgurtspannung bei Übungen mit Box. Wenn die Box und der Fußgurt verwendet werden, achten Sie darauf, dass der Fußgurt gespannt ist (wobei die Schnappverbindungen von der Oberseite der Ösenbolzen ziehen), bevor mit der Übung begonnen wird. Siehe Abb. 4.



Abb. 4: Gespannter Fußgurt

WARTUNG DER REFORMER-ROLLEN UND -SCHIENEN

Reinigung der Schienen und Rollen (wöchentlich). Für eine reibungslose Bewegung des Schlittens und lange Lebensdauer der Rollen empfehlen wir, die Schienen einmal pro Woche abzuwischen.

Die Federn aushaken und die Schienen der gesamten Länge nach mit einem weichen Tuch und Balanced Body Cleaner oder einem milden handelsüblichen Reinigungsmittel wie Fantastik® oder 409® reinigen. Niemals Scheuermittel oder raue Pads verwenden; diese können die Eloxierung der Schienen beschädigen. Zur Reinigung der Rollen halten Sie das Tuch gegen die Rollen, während Sie den Schlitten bewegen. Wenn Sie bei dieser Bewegung

Die **nicht** des Allegro 2 nicht schmieren.

Fußstangenhalterungen (vierteljährlich). Überprüfen Sie bei allen Fußstangen mit Fußstangenhalterungen von Balanced Body, ob die Spitzschraube, die die Fußstangenhalterung mit der Fußstange verbindet, gerade so fest sitzt, dass sich die Halterung

noch problemlos drehen kann. Beim Legacy Reformer muss die Spitzschraube festgezogen werden, um die Fußstangenhalterung zu arretieren.

Kopfstütze (monatlich). Den festen Sitz der Scharnierschrauben und Bolzen an der Kopfstütze überprüfen.

Unter dem Reformer (monatlich). Schieben Sie den Reformer zur Seite und reinigen Sie den Fußboden unter dem Gerät.

Fußstangenanschlüsse der Standplattform (nur für Reformer aus Holz). Wenn Ihre Fußstangenanschlüsse der Standplattform (die kleinen Plastikstücke, die die Standplattform vor der Fußstange schützen) gebrochen oder beschädigt sind, wenden Sie sich für Ersatzteile bitte telefonisch an Balanced Body.

TRAPEZTISCH (CADILLAC) & TOWERS

Splinte entfernen. Diese Splinte befinden sich in den vertikalen Rohren, mit denen der Trapezrahmen dem Rahmen angepasst wird. Sie müssen sofort nach Abschluss des Zusammenbaus entfernt werden. Nicht entfernte Splinte können Kleidung oder Haut einreißen.



Abb. 5: Splint vor und nach dem Entfernen vom Trapezstisch.

Die Splinte mit einer Zange entfernen. Die Splinte aufheben für den Fall, dass der Tisch zu Transportzwecken auseinandergenommen und wieder zusammengebaut werden muss. Siehe Abb. 5.

Push-Through-Stange (PTS) mit Schiebern. Die PTS bewegt sich vertikal, um sie verschiedenen Anwendern und Übungen anpassen zu können. Die Schieber an den Stangen ermöglichen diese vertikale Bewegung. Stellen Sie sicher, dass sie sauber sind und sich leicht bewegen lassen. Stellen Sie vor Beginn einer Übung sicher, dass die Schieber eine Unebenheit spüren, hat sich Schmutz an der Oberfläche der Schienen oder Rollen angesammelt. Haare und Schmutz aus den Schienen entfernen. Haare können sich um die Rollenachsen wickeln, ansammeln und ein Versagen der Rollen verursachen. Verwenden Sie eine Pinzette, um die Haare von den Rollen korrekt auf die PTS-Bohrungen ausgerichtet und eingerastet sind. Üben Sie Druck nach unten aus, um dies sicherzustellen. Wenn Sie Abnutzungserscheinungen an den zu entfernen.

Schmierung. Niemals Silikon nahe den Rollen oder in die Rollen sprühen – dies könnte das Schmiermittel aus den Lagern ausschwaschen und die Lager zerstören. Sie erhalten Trockensilikon in den meisten Baumärkten und Autozubehörgeschäften. Die Umlenkrollen müssen manchmal geschmiert werden, um ein Quietschen zu beseitigen.

Sprühen Sie ganz kurz Silikonspray oder Teflonspray in die Umlenkrolle. Silikonspray hat keine Ölbasis. Auf Öl basierendes („feuchtes“) Silikon und WD40 sollten nicht verwendet werden, da diese Schmutz anziehen. Nicht zu viel sprühen. Es wird empfohlen, die Seile zu entfernen, damit diese nicht mit Silikon besprüht werden.

Stiften der Schieber feststellen, kontaktieren Sie bitte telefonisch Balanced Body, um Ersatz anzufordern. Die Verwendung der PTS in diesem Zustand kann zu Verletzungen führen.

Wöchentliche Wartung der Push-Through-Stange mit Schiebern. Prüfen Sie, ob die Stifte in den Kolbenknöpfen vorstehen und in die vertikalen Rohre einrasten. Ziehen Sie beide Knöpfe heraus und bewegen Sie die Schieber in eine andere Position. Lösen Sie die Knöpfe vor der nächsten Bohrung und fahren Sie damit fort, das System in Position zu schieben. Sobald sich der Stift des Knopfes über einer Bohrung befindet, fällt er automatisch in die Öffnung. Sobald sich jeder Schieber in einer neuen Position befindet, ziehen Sie die PTS mit Kraft nach unten. Die Stifte der Schieber dürfen nicht aus den Bohrungen fallen. Wenn die Stifte nicht in den Rohrbohrungen bleiben, müssen die Zugknöpfe ausgetauscht werden. Wenden Sie sich für Ersatzteile an Balanced Body.

Push-Through-Stange (PTS) mit Stift-Einstellung. Für Übungen, die mit der PTS unten durchgeführt werden und bei denen sich der Kopf des Anwenders unter der PTS befindet, verwenden Sie die Einstellung mithilfe von Stiften zusätzlich zum Sicherheitsgurt oder zur Kette. Es wird nachdrücklich empfohlen, den Anwender einzuweisen. Dies ist aus Sicherheitsgründen wichtig.

Push-Through Bar (PTB) control. Stellen Sie sicher, dass Sie ausreichend Platz rund um den Trapez Tisch haben, damit die PTS gefahrlos verwendet werden kann und keine anderen Personen damit getroffen werden. Bei unsachgemäßer Verwendung kann die PTS gefährlich sein. Die PTS sollte nur von ausgebildeten, erfahrenen Anwendern benutzt werden. Ein Trainer sollte die Stange immer mit einer Hand unter Kontrolle haben. Sollte der Anwender die Kontrolle über die Stange verlieren, kann der Trainer sie so unter Kontrolle halten.

Korrekte Anbringung des Sicherheitsgurtes. Für Übungen, die mit der PTS unten durchgeführt werden, muss zur Sicherung der Stange immer der Sicherheitsgurt oder die Kette verwendet werden.

Der Sicherheitsgurt oder die Kette muss sich um die PTS und den Trapezrahmen und nicht durch die Ösenbolzen wickeln. Der Gurt oder die Kette ist nur so stark wie das schwächste Glied und der Rahmen und die Stange sind deutlich stabiler als Ösenbolzen. **Abb. 6.**



Abb. 6: Der Sicherheitsgurt hält die Push-Through-Stange in der 4-Uhr-Position. Der Gurt ist an der PTS und dem Trapezrahmen, nicht an den Ösenbolzen, befestigt.

Hilfestellung durch den Trainer wird dringend empfohlen. Dies ist aus Sicherheitsgründen wichtig.

Einstellen der PTS für Übungen mit der PTS unten. Für Übungen mit der PTS unten muss der Sicherheitsgurt so befestigt werden, dass der Winkel der Push-Through-Stange nicht niedriger als die 4-Uhr-Position ist. Dadurch wird die Bewegung der Stange eingeschränkt und verhindert, dass sie mit dem Anwender möglicherweise in Kontakt kommt.

Die Verwendung der 4. Seite der PTS zusammen mit dem Sicherheitsgurt wird dringend empfohlen, um Verletzungen zu vermeiden.

Sanduhrförmige Federhalterungen. Wenn Ihr Stuhl sanduhrförmige Federhalterungen besitzt und die Federn nicht ausreichend von den Halterungen zurückgehalten werden, müssen die Faserunterlegscheiben ersetzt werden (sie sind rötlichbraun eingefärbt).



Abb. 7: Der Sicherheitsgurt hält die Push-Through-Stange in der 4-Uhr-Position. Der Gurt ist an der PTS und dem Trapezrahmen, nicht an den Ösenbolzen, befestigt.



Abb. 8: Faserunterlegscheibe

Abb. 8. Wenn Sie einen sogenannten Balanced Body Split-Step Pedal Chair (Kombi-Stuhl) verwenden, erwägen Sie bitte den Umstieg auf den Cactus Springtree).

REINIGUNG UND WARTUNG DER POLSTERUNG

Reinigung. Sie können die Lebensdauer der Polsterung verlängern, indem Sie sie sauber und frei von Schmutz, Öl und Schweiß halten. Wischen Sie die Polsterung nach jeder Verwendung mit einer milden Seifenlösung ab. Danach mit reinem Wasser nachwischen und mit einem Tuch trocknen.

Desinfizieren. Die Gerätepolsterung ist für antibakteriellen Schutz mit BeautyGard® beschichtet. Für eine zusätzliche Desinfektion bietet Balanced Body die Desinfektionslösung Balanced Body Clean TM an. Die Verwendung anderer Reinigungslösungen (insbesondere solche, die ätherische Öle enthalten) verkürzt die Lebensdauer bestimmter Ausstattungselemente und wird nicht empfohlen.

ÜBERPRÜFEN UND FESTZIEHEN VON MUTTERN UND SCHRAUBEN.

Mit den Fingern Muttern und Schrauben auf festen Sitz überprüfen. Wenn Sie die Mutter oder Schraube mit Ihren Fingern drehen können, ist sie zu locker und muss festgezogen werden. Verwenden Sie dazu zuerst Ihre Finger, indem Sie die Muttern und Schrauben im Uhrzeigersinn drehen. Schieben Sie einen Schraubendreher durch die Ösenbolzen, um diese festzuhalten, während die Muttern festgezogen werden.



Abb. 9: Mit zwei Fingern die Schrauben festziehen

Verwenden Sie danach einen kleinen Schraubenschlüssel, um sie weiter festzuziehen. **Abb. 9.**

STÜHLE

Vorsichtig absteigen. Wenn Sie vom Stuhl absteigen, lassen Sie die Pedale langsam und vorsichtig los. Die Pedale nicht zurückschnappen lassen.

Hilfestellung durch Trainer. Wenn der Anwender auf dem Stuhl steht, sitzt oder liegt, besteht erhöhte Sturzgefahr. Besonders Übungen im Stehen können gefährlich sein. Die Hilfestellung durch einen Trainer macht diese Übungen sicherer.

Es wird empfohlen, zu überprüfen, ob die Stifte vorstehen und korrekt in die vertikalen Rohre einrasten. Um ihre Funktion zu überprüfen, ziehen Sie zunächst beide Knöpfe heraus und bewegen Sie die Schieber in eine andere Position. Lösen Sie die Knöpfe vor der nächsten Bohrung und schieben Sie das System weiter. Sobald sich der Stift des Knopfes über einer Bohrung befindet, fällt er automatisch in die Öffnung. Sobald sich jeder Schieber in einer neuen Position befindet, ziehen Sie die PTS mit Kraft direkt nach unten. Die Stifte der Schieber dürfen nicht aus den Bohrungen fallen. Wenn die Stifte nicht in den Rohrbohrungen bleiben, müssen die Zugknöpfe ausgetauscht werden. Wenden Sie sich für Ersatzteile an Balanced Body.

GERÄTEPRÜFUNG UND WARTUNGSPROTOKOLL

Wir empfehlen die Führung eines Wartungsprotokolls für jedes einzelne Ausstattungsteil. Dieses Protokoll sollte Folgendes beinhalten:

1. Eine Beschreibung des Geräts, einschließlich Seriennummer, Kaufdatum und -ort und Hersteller. Diese Informationen finden Sie auf der Rechnung Datum und Beschreibung aller erforderlichen Wartungs- und Inspektionsarbeiten.
2. Datum und Beschreibung aller vorgeschriebenen Wartungsmaßnahmen und durchgeführten Überprüfungen.
3. Datum und Beschreibung jeder Reparatur, einschließlich Name und Kontaktinformationen der die Reparatur durchführenden Person oder Firma.

WARTUNGSPLAN

Vollständige Ausstattung	Tag	Wo.	Mo.	Quart.
Federn auf Lücken & Knicke prüfen		✓	✓	
Schnappverbindungen auf Abnutzung prüfen			✓	
Schrauben & Muttern auf festen Sitz überprüfen			✓	
Reformatoren				
Rollen und Schienen reinigen		✓		
Haken/Ösenbolzen der Federstange überprüfen				✓
Federn untereinander austauschen				✓
Seile/Gurte überprüfen				✓
Fußstangenhalterungen überprüfen				✓
One-Step-Federstangen überprüfen				✓

ERSATZTEILE

Wenn Sie Ersatzteile bestellen möchten oder Fragen haben, erreichen Sie uns telefonisch wie folgt:

USA und Kanada: 1-800-PILATES (1-800-745-2837)

Vereinigtes Königreich: 0800 014 8207

Andere Regionen: +1 916-388-2838

Fax: 916-379-9277

E-Mail: info@pilates.com

www.pilates.com

5909 88th Street, Sacramento, CA 95828 USA

Klicken Sie hier für **Balanced Body Patent Data**.

PODCASTS FÜR MONTAGE UND WARTUNG

Sie können unsere Bibliothek mit Zusammenbau- und Wartungsvideos unter www.pilates.com/podcasts abrufen.

Zusammenbau des Allegro® Reformer

TEILELISTE

Teilenummer	Beschreibung	Anz.
950-002	Komplette Fußstange	1
950-020	Gelenkbolzen und Unterlegscheiben	1 Satz
950-228	Schulterstütze mit Halterungen	1 Paar
616-400	Sicherungs-Schulterpfosten	2
GEN8000	Drehriegel-Rastknöpfe	2
210-070	Soft-Touch-Seile	1 Paar
210-064	Doppelschlaufen (Soft-Touch)	1 Paar
950-225	Allegro-Ständer mit Seilrolle	2
GEN9050	5/16-Zoll-Inbusschlüssel	1
ALL0060	Allegro-Schlüssel	1
SPR9070	Rote Feder	3
SPR9071	Blaue Feder	1
SPR9241	Gelbe Feder	1
UPH7040	Schaumstoffpolster für die Stehplattform	1

WICHTIGE SICHERHEITSHINWEISE: BITTE LESEN SIE DIESE WARNHINWEISE

Lesen Sie vor der Verwendung des Allegro die folgenden wichtigen Sicherheitshinweise, um das Risiko ernsthafter Verletzungen auf ein Minimum zu reduzieren.

- » Lesen Sie vor der Verwendung des Allegro sämtliche Anweisungen in diesem Handbuch. Sehen Sie vor der Verwendung des Geräts das mitgelieferte Aufstellungs- und Sicherheitsvideo an. Verwenden Sie den Allegro nur entsprechend den Beschreibungen in dieser Anleitung und dem Video.
- » Der Besitzer ist dafür verantwortlich, dass die Benutzer des Allegro von allen Sicherheitshinweisen in Kenntnis gesetzt werden.
- » Der Allegro darf nur auf einer ebenen Fläche aufgestellt werden. Hände und Füße von allen beweglichen Teilen fernhalten. Lassen Sie mindestens zwei Federn am Schlitten eingehängt, wenn der Allegro nicht verwendet wird. Halten Sie Kinder unter 12 Jahren sowie Haustiere immer vom Allegro fern.
- » Sollten Sie Schmerzen, ein Schwindelgefühl oder Atemnot verspüren, brechen Sie das Training sofort ab.
- » Konsultieren Sie Ihren Arzt vor Beginn des Trainingsprogramms.



ANBRINGEN DER SCHULTERSTÜTZEN

1. Achten Sie auf die zwei hervorstehenden Zapfen unten an den Schulterstützen. Schieben Sie die Zapfen der Schulterstützen in die Schlüssellocher ein und anschließend vom Schlittenpolster weg. Siehe Abb. A.

Hinweis: Die Schulterstützen können auf zwei verschiedenen Positionen montiert werden. Die breitere Position ist bequemer für Anwender mit breiten Schultern. Tauschen Sie die linken und rechten Schulterstützen, um zwischen dem Aufbau „Standard“ und „Breit“ zu wechseln.

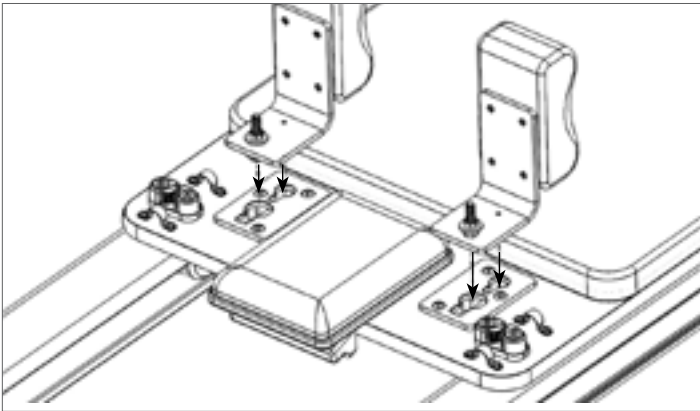


Abb. A

2. Schrauben Sie nun an jeder Schulterstütze die Sicherungs-Schulterpfosten auf den freiliegenden Bolzen. Abb. B.

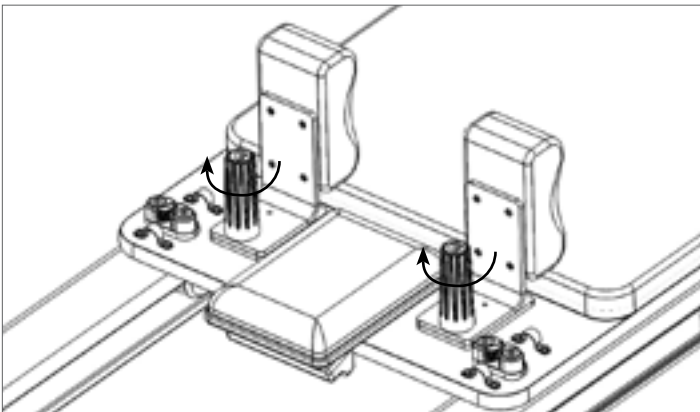


Abb. B

Verwendung der Sicherungs-Schulterpfosten:

Drehen Sie die Pfosten zur Befestigung im Uhrzeigersinn und verriegeln Sie die Schulterstützen in Position. Ein zu starkes Anziehen der Pfosten erschwert das spätere Entfernen. Sie sollten daher fest, aber nicht zu fest sitzen. Zum Entfernen der Schulterstützen drehen Sie den Pfosten 1 bis 2 Umdrehungen gegen den Uhrzeigersinn und schieben Sie die Schulterstützen sanft in Richtung Schlitten.

Abb. C zeigt die Lagerposition der Schulterstützen. Beachten Sie die schlüssellochförmigen Schlitze am Kopfende des Allegro-Rahmens.

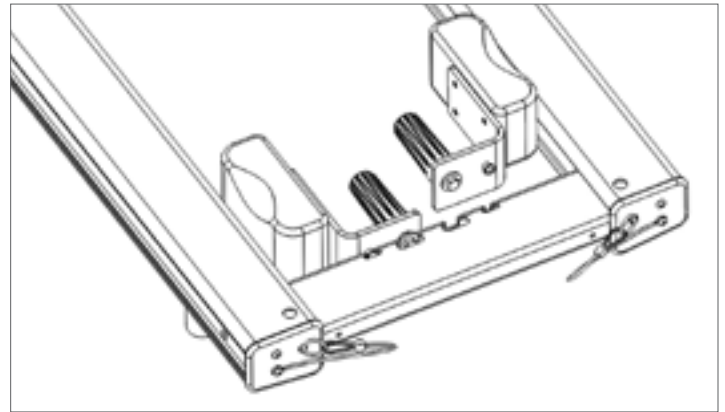


Abb. C

MONTAGE DER SCHWARZEN RASTKNÖPFE

3. Blicken Sie durch das große Gewindeloch am Drehzapfen und richten Sie es mit einem der Löcher im Rahmen aus. Schrauben Sie den Rastknopf in das große Loch, bis er vollständig eingeschraubt ist. Siehe Abb. D.

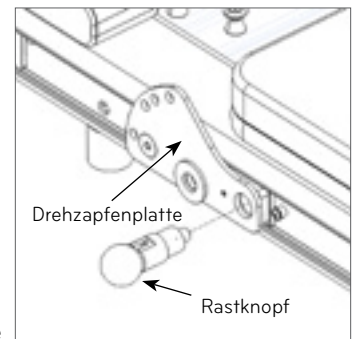


Abb. D

4. Auf der anderen Seite wiederholen. Ziehen Sie beide Rastknöpfe mit dem beiliegenden Gabelschlüssel fest.

Zum Entfernen der Drehzapfen ziehen Sie die Kugel der Rastknöpfe vom Rahmen weg, drehen Sie diese um 90° und stellen Sie sie in dieser Position fest. Zum erneuten Einrasten des Rastknopfes drehen Sie den Knopf, bis er in einem der Löcher an der Seite des Rahmens einrastet.

Hinweis: Vergewissern Sie sich vor jedem weiteren Schritt, dass sich beide Drehzapfenplatten in der gleichen horizontalen Position befinden.

ANBRINGEN DER FUSSTANGE

5. Richten Sie die Fußstange so aus, dass die Naht der Fußstangenabdeckung vom Schlittenpolster weg weist.

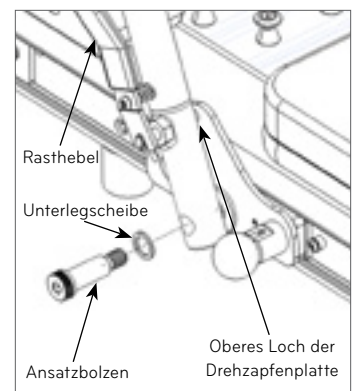


Abb. E

6. Halten Sie den Rasthebel der Fußstange gedrückt und manövrieren Sie die Fußstange an der Außenseite über die Drehzapfenplatten. Richten Sie jeden Stift der Fußstange mit dem oberen Loch der Drehzapfenplatte aus. Halten Sie die Fußstange weiterhin fest und lassen Sie die Rasthebel

der Fußstange los, um die Drehzapfenplatte einrasten zu lassen. Achten Sie darauf, dass die Stifte auf beiden Seiten eingerastet sind. Siehe Abb. E.

7. Kippen Sie die Fußstange leicht, bis das große Loch unten an der Fußstange mit dem noch verbleibenden Loch in der Drehzapfenplatte übereinstimmt.
8. Stecken Sie den Ansatzbolzen mit einer Unterlegscheibe durch das große Loch der Fußstange. Schrauben Sie den Ansatzbolzen dann mit dem großen Inbusschlüssel so fest wie möglich in die Drehzapfenplatte hinein. Wiederholen Sie diesen Schritt auf der anderen Seite. Siehe Abb. E.

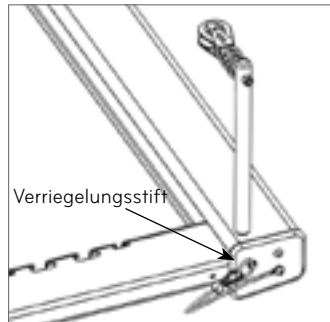


Abb. F

ANBRINGEN DER STÄNDER

9. Entfernen Sie die Verriegelungsstifte vom Rahmen. Stecken Sie die Ständer in die Löcher oben am Rahmen. Drehen Sie die Ständer, bis die angebrachten Seilrollen entlang des Rahmens gerade nach unten zur Fußstange zeigen. Siehe Abb. F.
10. Bringen Sie die Verriegelungsstifte wieder an, sodass der Metallring den Rahmen berührt. Vielleicht müssen Sie etwas am Ständer rütteln oder ihn leicht anheben oder drehen, damit die Verriegelungsstifte ganz eingeführt werden können.

BEFESTIGEN DER SEILE

11. Zum Befestigen der Seile spannen Sie zuerst mindestens eine Feder vom Schlitten zum Rahmen, damit der Schlitten in der Ausgangsposition bleibt. Entrollen und trennen Sie die Seile.
12. Der Allegro ist inzwischen mit Soft-Touch-Seilen erhältlich, die keine Dog-Clips zur Befestigung der Schlaufen aufweisen. Der Clip hängt jetzt nicht mehr am Rahmen und schlägt auch nicht mehr dagegen! Halten Sie sich an die folgende Bildanleitung, um die Schlaufen anzubringen. Siehe Abb. G.

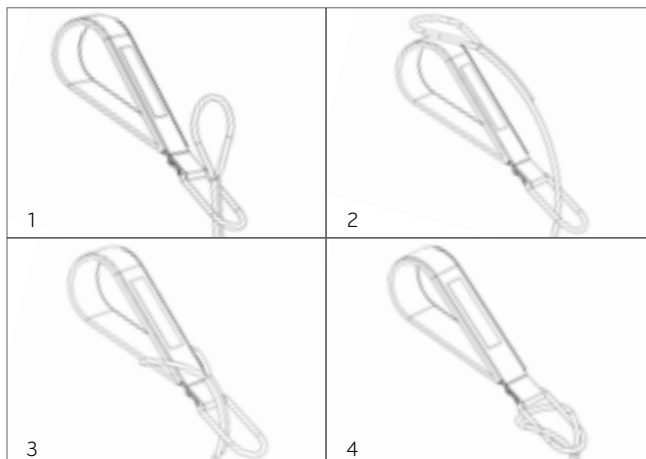


Abb. G

13. Legen Sie die Schlaufen über die Schulterstützen. Fädeln Sie das andere Ende eines jeden Seils zum Einstellen der Länge durch eine Ständer-Seilrolle und zurück in die Klemmen am Schlitten ein. Beachten Sie dabei, dass Sie das Seil auf beiden Seiten der Klemmen durch die Chromösen einfädeln. Drücken Sie das Seil immer fest nach unten in die Klemmen, sodass es fest sitzt.

LAGERUNG DES ALLEGRO REFORMER

Stapeln

Eine Demonstration zum Stapeln des Allegro ist im Abschnitt „Aufstellung und Sicherheit“ der DVD „Allegro-Einführung/Stufe 1“ zu sehen. Hängen Sie die Federn ein, damit sich der Schlitten nicht bewegt. Schieben Sie die Fußstange in die unterste Position. Nehmen Sie die Schulterstützen ab und legen Sie sie in die Aussparungen am Kopfende des Rahmens. Klappen Sie die Kopfstütze nach unten. Nehmen Sie die Ständer ab und stecken Sie sie in die Aufbewahrungsöffnungen an den Seiten des Rahmens. Legen Sie die Seile und Schlaufen in den Rahmen des Allegro – und nicht auf den Schlitten. Stapeln Sie die Allegros in abwechselnder Ausrichtung. Platzieren Sie die Füße des Kopfendes auf die Standplattform des darunter liegenden Allegro usw. Stapeln Sie maximal 5 Reformer ohne Füße (3 mit Füßen). Stapeln Sie keine Reformer mit installiertem Tower.

Stand

Für das senkrechte Abstellen des Allegro muss sich die Fußstange unbedingt in der korrekten Position befinden und arretiert sein. Bringen Sie die Fußstange in die Position, die dem Fußende des Reformer-Rahmens am nächsten liegt und arretieren Sie die Fußstange. Bringen Sie die Fußstange in die höchste Position. Heben Sie das Kopfende des Allegro-Rahmens auf Hüfthöhe an. Heben Sie dann den Rahmen an, bis er senkrecht steht. Stützen Sie den Rahmen ab, indem Sie Ihren Fuß gegen das Ende mit den Rollen stellen, während Sie ihn senkrecht stellen. Der senkrecht gestellte Allegro ruht auf der Fußstange und den Transportrollen. Siehe Abb. H.



Abb. H

REINIGUNG & WARTUNG

Reinigung

Wischen Sie das Schlittenpolster, die Kopfstütze, die Fußstange und die Schulterstützen nach jeder Verwendung mit einem weichen Lappen und einem milden, nicht scheuernden Reinigungsmittel ab. Die Schienen und Rollen des Schlittens müssen stets frei von Staub und Verschmutzung sein. Die gesamte Schiene sollte regelmäßig mit einem Lappen abgewischt werden. Die Fußstangendrehzapfen sollten wöchentlich gereinigt werden. Reinigen Sie

den Rahmen mit einem milden, nicht scheuernden Reinigungsmittel. Halten Sie die Seile und Federn von Staub frei. Die Baumwollschlaufen können in der Maschine gewaschen werden. Zum Trocknen aufhängen.

Schmierung

Das C-Profil der Drehzapfenplatte der Fußstange kann mit Trockensilikonspray geschmiert werden.

WARTUNG

» Lesen Sie die beiliegenden Sicherheitsanleitung.

FRAGEN?

Sie erreichen den technischen Kundendienst von Balanced Body telefonisch unter 1-800-745-2838 (USA und Kanada) oder unter +1-916-388-2838.

Montage des Allegro® Leg-Kits

ENTHALTENE TEILE:

Artikelnummer	Teilenummer	Beschreibung	Anz.
1	618-030	Allegro-Bein, A	2
2	618-031	Allegro-Bein, B	2
3	618-021	Bein-Blechmutter	2
4	ALL0091	Gummiauflage, Bein, Allegro	4
5	614-020	Rollenklammer, verl. Allegro-Bein	2
6	GEN8320	Inbusschlüssel, 3/16-Zoll-Kugelspitze	1
7	GEN7321	Schraube, Halbrundkopf, 5/16-18 x 3/4 Zoll	12
8	GEN7325	Schraube, 1/4-20 x 3/4 Zoll	4
9	GEN9021	Mutter, Nylock, 1/4-20	4
10	GEN9282	Inbusschlüssel 5/32 Zoll kurzer Hebel	1

1. Wenn Sie einen Tower Of Power montiert haben, entfernen Sie die Seile, lösen die 4 Tower-Knöpfe und entfernen den Tower.
2. Entfernen Sie mit dem kürzeren Schraubenschlüssel die 4 Schrauben, die die Abdeckplatten und die Ständerstifte am Kopfende fixieren. Legen Sie sie für den späteren Wiedereinbau zur Seite. Siehe Abb. A.

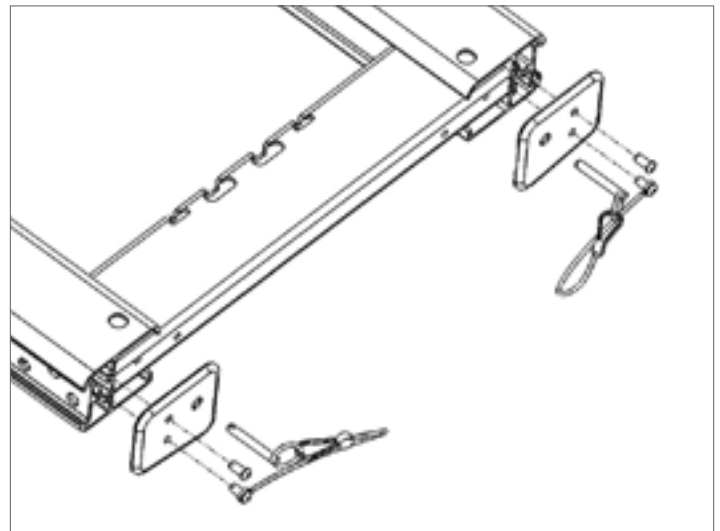
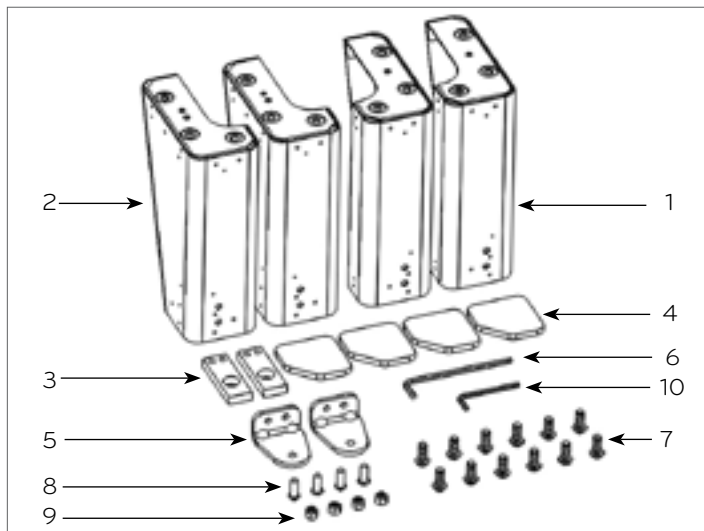


Abb. A



3. Hängen Sie alle Federn ein, damit sich der Schlitten nicht bewegt. Entfernen Sie Seile, Schulterstützen und Ständer. Platzieren Sie die Fußstange (falls montiert) in der niedrigsten Position und prüfen Sie, dass alle Stifte verriegelt sind, damit die Fußstange gesichert ist. Heben Sie den Allegro dann mit einem zweiten Helfer an beiden Enden an, drehen Sie ihn vorsichtig um und stellen Sie ihn auf dem Boden ab. Sofern erforderlich, stellen Sie den Reformer auf eine Unterlage oder einen anderen Bodenschutz.

BENÖTIGTES WERKZEUG (NICHT ENTHALTEN):

- » Zwei 1/2-Zoll- oder verstellbare Schraubenschlüssel
- » Ein 7/16-Zoll-Schraubenschlüssel

4. Entfernen Sie die 4 GummifüÙe von der Unterseite des Reformer-Rahmens. Drehen Sie sie mit festem Griff gegen den Uhrzeigersinn. Die FüÙe werden nicht länger benötigt, es sei denn, Sie wollen das Gerät später wieder in der flachen Allegro-Konfiguration aufbauen.

5. Nehmen Sie die Beine und alle weiteren Materialien aus der Verpackung und legen Sie die Beine auf den Boden, sodass deren Unterseite nach oben zeigt, so wie es in Abb. B zu sehen ist.

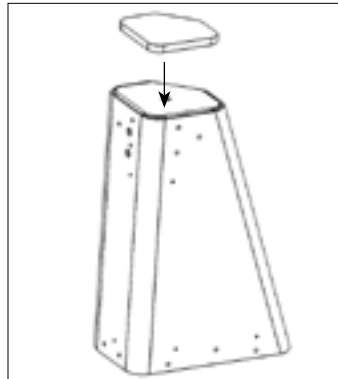


Abb. B

6. Ziehen Sie nun die selbstklebende Trägerschicht von den 4 GummifüÙen ab, gleichen Sie die Profile der FüÙe mit denen der Beine ab und kleben Sie Fuß und Bein jeweils zusammen; siehe wie in Abb. B.

7. Stecken Sie die Bein-Blechmutter (Abb. C) in den Reformer-Rahmen, bis das große Loch mit dem Ständerloch im Rahmen ausgerichtet ist. Schieben Sie dann den Ständer durch Rahmen und Block, sodass er an Ort und Stelle fixiert wird. Siehe Abb. C und D.

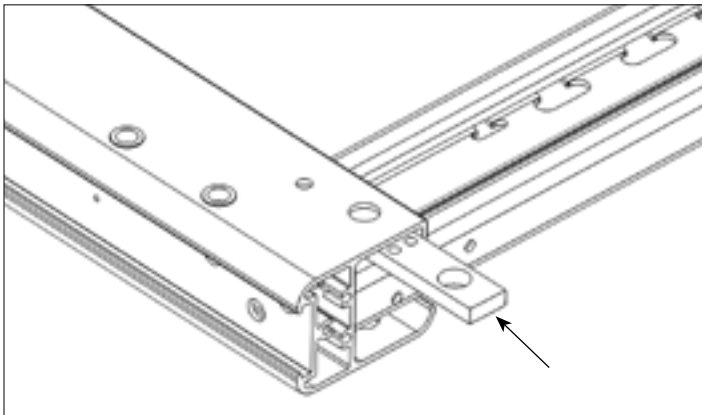


Abb. C

8. Bewegen Sie jetzt die Bein-Blechmutter, damit die in Abb. D gezeigten Löcher übereinstimmen, wenn Sie von oben durch das Loch im Rahmen blicken. Dies ist eines der Schraubenlöcher, das zum Anbringen der Beine verwendet wird.

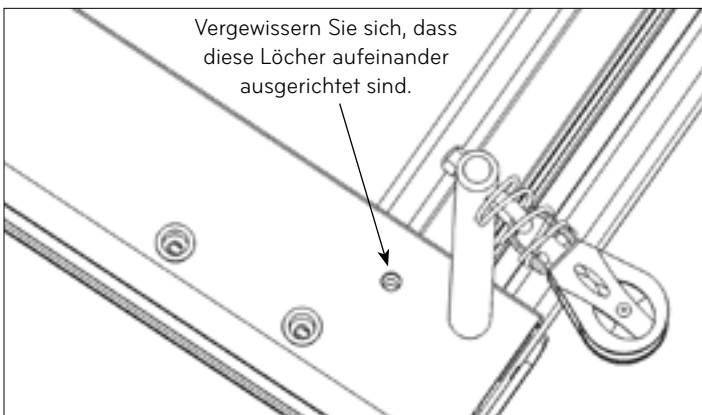


Abb. D

9. Zum Fixieren der Bein-Blechmutter halten Sie die Ständer in Position und platzieren Sie zwei der Beine auf die Rahmenschiene am Kopfende des Reformers – richten Sie dabei die Löcher des Beines mit den drei Löchern im Rahmen aus. Die Beine für die rechte und linke Seite sind nicht dieselben; wählen Sie daher ein Bein, das mit dem Lochmuster im Rahmen übereinstimmt. Schrauben Sie nun alle sechs 5/16-18-Zoll-Schrauben in den Rahmen, um die Beine in richtiger Position zu fixieren. Beginnen Sie dabei mit den Schrauben, die in den Block greifen, der von den Ständern in Position gehalten wird. Sobald alle Schraube eingefügt wurden, ziehen Sie sie fest. Abb. E.

Sie können die Ständer jetzt entfernen und beiseite legen.

HINWEIS: Das lange Ende des beiliegenden 3/16-Zoll-Inbusschlüssels ist kugelförmig und erlaubt eine größere Beweglichkeit für Arbeiten an beengten Stellen. Sobald die Schrauben handfest angezogen sind, verwenden Sie das kurze Ende des Inbusschlüssels, um die Schrauben festzuziehen.

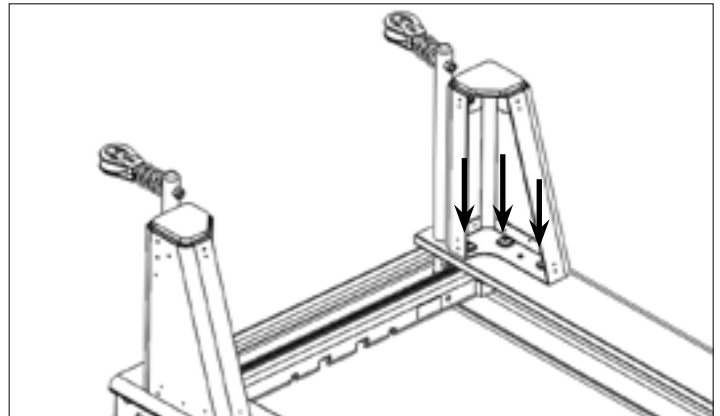


Abb. E

10. Montieren Sie in gleicher Weise mithilfe der 6 Schrauben die Beine am Fußende des Rahmens. Für das Fußende sind keine Bein-Blechmutter erforderlich.

11. Verwenden Sie einen 7/16-Zoll-Schraubenschlüssel und den beiliegenden Inbusschlüssel und montieren Sie die Transportrollenhalterung mit den 1/4-20-Schrauben und Muttern, wie in Abb. F. Vergewissern Sie sich, dass die Halterungen wie abgebildet ausgerichtet sind. Normalerweise werden diese am Fußende des Reformers montiert, wie in Abb. F.

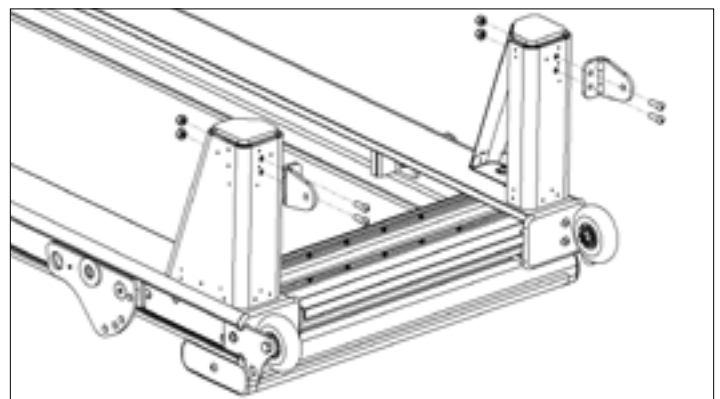


Abb. F (Fußstange nicht abgebildet)

HINWEIS: Die Transportrollen können auch am Kopfende montiert werden. Dadurch können Sie den Reformer leichter bewegen. Sie müssen sich nur darüber vergewissern, dass der Schlitten an das Kopfende des Reformers gerollt wurde, ehe Sie das Fußende des Geräts bei diesem Aufbau anheben.

12. Bringen Sie die kopfseitigen Schienen-Abdeckplatten auf der Seite wieder an, an der Sie sie zuvor entfernt haben.

HINWEIS: Wenn Sie als Nächstes ein Tower-System montieren, brauchen Sie die Schienen-Abdeckplatten am Kopfende nicht anzubringen.

13. Entfernen Sie mit zwei 1/2-Zoll- oder verstellbaren Schraubenschlüsseln die Transportrollen von ihrer derzeitigen Position und montieren Sie die auf die gerade montierten Halterungen. Lassen Sie die vorhandenen Halterungen der Transportrollen in Position, denn hier kann ein Pedalriemen befestigt werden. Siehe Abb. G.

HINWEIS: Es ist sehr wichtig, dass die Unterlegscheiben und die Rolle in der gleichen Reihenfolge und Ausrichtung wie an den eigentlichen Halterungen montiert werden. Montieren Sie ein Rad nach dem anderen; wenn eines der Räder sich nach der Montage nicht frei dreht, vergleichen Sie es mit den anderen Rädern, um zu garantieren, dass alle Bauteile in der richtigen Reihenfolge montiert wurden.

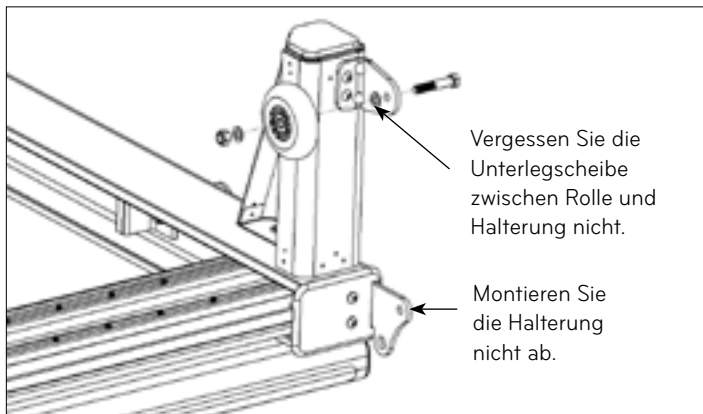


Abb. G

14. Da die Beine nun montiert sind, können Sie den Allegro Reformer nun vorsichtig anheben, umdrehen und auf die Beine stellen. Bringen Sie die Schulterstützen, Ständer und Seile wieder an.

Wie das Stehplattform-Polster installiert und benutzt wird

Ihr Allegro Reformer hat ein Stehplattform-Polster. Legen Sie das Polster direkt auf die zu verwendende Stehplattform. Mit diesem Polster passen Sie die Höhe der Stehplattform an das Schlittenpolster an. Siehe Abb. A.

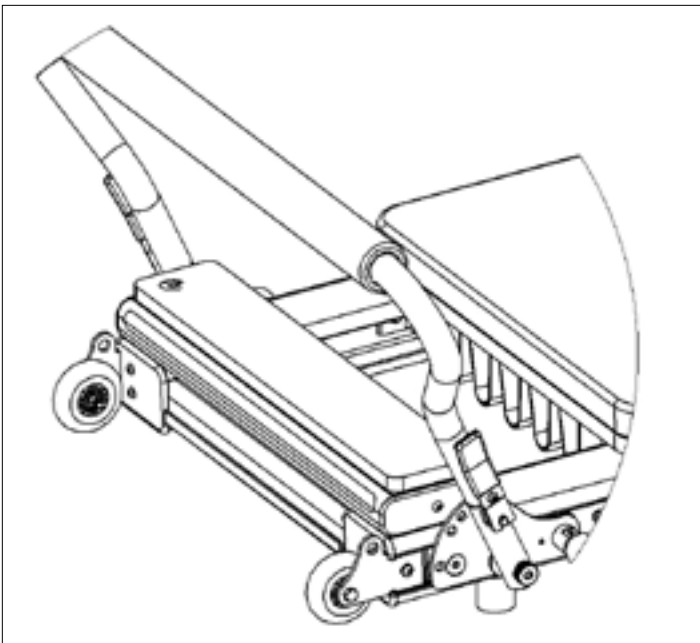


Abb. A

Zusammenbau des Allegro® Tower of Power™

Überprüfen Sie vor dem Zusammenbau die gelieferten Teile und Komponenten anhand der folgenden Liste. Falls Teile fehlen sollten, wenden Sie sich bitte telefonisch an die Kundendienstabteilung von Balanced Body unter der Nummer +1-800-PILATES(1-800-745-2837) innerhalb den USA und Kanada oder +1-916-388-2838 (international).

VORBEREITEN DES ALLEGRO REFORMER

Wenn Sie einen Satz 14-Zoll-Beine für den Allegro gekauft haben, sollten Sie die Beine unbedingt vor der Montage des Towers anbringen.

Entfernen Sie alle Seile und Ständer vom Allegro. Wenn der Allegro vor dem 1. Februar 2004 erworben wurde, sind ebenfalls die Aufkleber und das Trägermaterial von den Seiten zu entfernen. Sie können einen neuen Aufkleber kostenlos telefonisch bei der Kundendienstabteilung von Balanced Body unter der Nummer +1-800-PILATES(1-800-745-2837) innerhalb den USA und Kanada oder unter +1-916-388-2838 (international) bestellen.

TEILELISTE

Teilenummer	Beschreibung	Anz.
618-024	Tower	1
TRP0047	Push-Through-Stange (PTS)	1
GEN9892	T-Stift	2
950-234	Tower-Halterung, rechts	1
950-235	Tower-Halterung, links	1
950-131	Verstellbare Seilrolle und Knopf (kompl.)	2
212-001	5/32-Zoll-Inbusschlüssel, lang	1
SPR9004	Blaue Trap-Feder	2
SPR9002	Gelbe Trap-Feder	2
SPR9461	Lange Feder, violett	2
SPR9006	Lange Feder, gelb	2
710-010	Roll-Down-Stange	1
101-005	Einzelschlaufe, Baumwolle	1 pair
210-023	Sicherungsgurt mit Karabiner	1
950-236	Untere Tower-Federhalterungen	1

BENÖTIGTES WERKZEUG (NICHT ENTHALTEN):

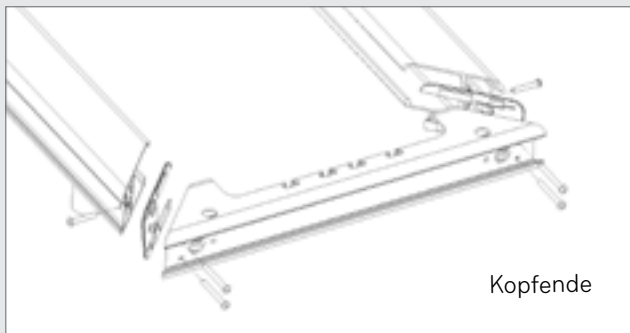
» Kreuzschlitzschraubendreher



WICHTIG: BITTE ZUERST LESEN

HINWEIS: Wenn Sie einen originalen Allegro mit abgewinkelten Eckverbindungen besitzen (gekauft etwa vor November 2014), befolgen Sie bitte diese Anweisungen:

- a. Lösen und entfernen Sie mit dem mitgelieferten 5/32-Zoll-Inbusschlüssel die sechs Schrauben (eine auf jeder Seite des Reformers und vier am Kopfende), mit denen das Kopfende des Rahmens befestigt ist. Wenn Sie Beine installiert haben, müssen Sie die Beinschrauben entfernen, die am Kopfende des Rahmens befestigt sind. Beachten Sie dabei, wie die Kunststoffscheiben zwischen den Rahmenteilen ausgerichtet sind und wie sie passen.



- b. Montieren Sie die Tower-Halterungen, wie unten in Schritt 3 beschrieben wird. Ziehen Sie die Halterungsschrauben nicht fest.
- c. Nachdem die Kunststoffscheiben und -schrauben in Schritt a entfernt wurden, bringen Sie das Kopfende Ihres Reformer-Rahmens wieder an. Die zwei kürzeren Schrauben gehören in die Seiten des Rahmens und die 4 längeren werden vom Kopfende aus eingeschraubt. Beginnen Sie mit allen 6 Schrauben und ziehen Sie sie fest, jedoch nicht zu fest, an. Wenn Sie Beine anbringen möchten, setzen Sie auch diese Schrauben wieder ein.
- d. Positionieren Sie die Tower-Halterungen so, dass sie mit der Kante der Rahmenschrauben an der Seite des Rahmens übereinstimmen. Ziehen Sie anschließend die Tower-Halterungsschrauben fest, wie es in Schritt 4 beschrieben wird.
- e. Befolgen Sie die Anweisungen ab Schritt 6 bis zum Ende.

1. Entfernen Sie mit dem beiliegenden 5/32-Zoll-Inbusschlüssel die Kunststoff-Schienenaufsätze und die Verriegelungsstifte am Kopfende des Allegro-Rahmens. Sie müssen später wieder auf derselben Seite angebracht werden. Merken Sie sich daher, welcher Aufsatz wohin gehört und lagern Sie sie separat mit den dazugehörigen Schrauben. Siehe Abb. A.

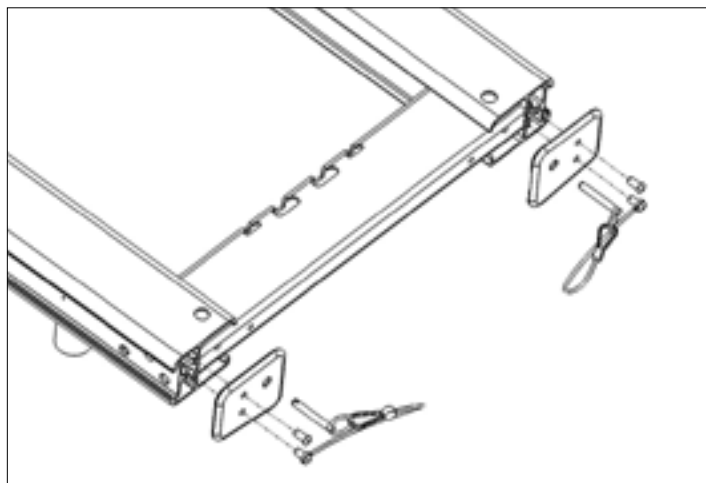


Abb. A

2. Montieren Sie die Tower-Halterungen:

- a. Lösen Sie mit dem mitgelieferten 5/32-Zoll-Inbusschlüssel die 6 Schrauben an jeder Halterung um 1-2 Umdrehungen. Entfernen Sie sie nicht, Sie möchten nur etwas Spiel zwischen den Platten erlauben. Siehe Abbildung B.
- b. Stellen Sie sicher, dass die Halterungen wie in Abbildung B ausgerichtet sind (verwenden Sie die großen grauen Noppen und Schrauben als Referenz) und schieben Sie sie in den C-Kanal des Rahmens.

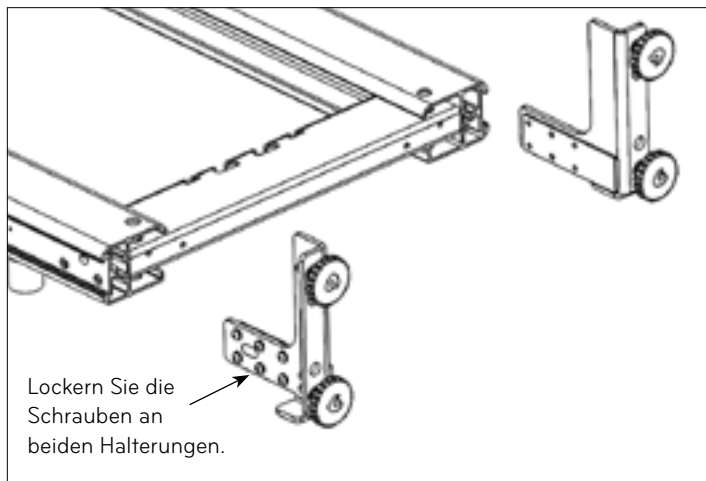


Abb. B

3. Bringen Sie die Endkappen der Kunststoffschiene wieder an der Seite an, von der Sie sie entfernt haben. Das Schlüsselband und die Sperrstifte werden nicht mehr benötigt, sodass sie mit den Tragegurten beiseite gelegt werden können. Siehe Abbildung C.

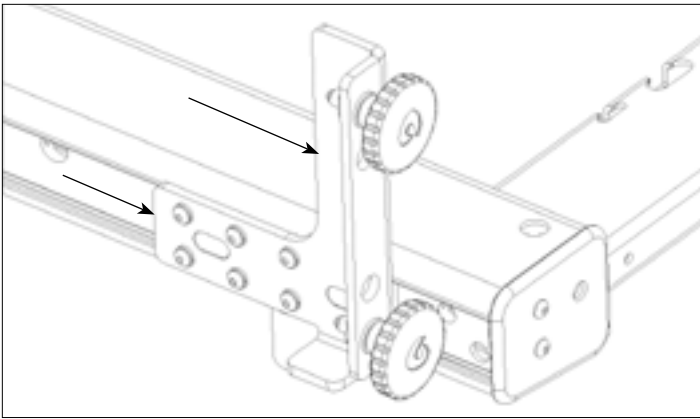


Abb. C

4. Stellen Sie sicher, dass beide Halterungen vollständig gegen die Kunststoffschienenkappen geschoben sind. Ziehen Sie mit dem mitgelieferten 5/32-Zoll-Inbusschlüssel die 6 Schrauben an beiden Turmhalterungen an. Siehe Abbildungen C und D.

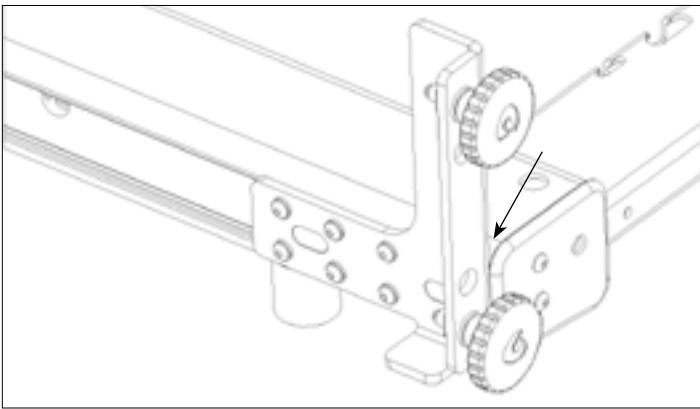


Abb. D

5. Montieren Sie den Tower-Rahmen an die Halterungen.
- Richten Sie den Tower-Rahmen so aus, dass die großen Gewindelöcher vom Schlitten wegzeigen.
 - Heben Sie den Tower-Rahmen über die Halterungen und senken Sie ihn, sodass er auf der Kante unten auf den Halterungen aufsitzt. Siehe Abb. E.
 - Schieben Sie den Rahmen zur Halterung, bis er bündig abschließt.
 - Halten Sie den Tower-Rahmen mit einem Arm aufrecht und in Position – oder lassen Sie ihn von einem Helfer aufrecht und in Position halten – und beginnen Sie, die 4 großen Knöpfe in den Tower-Rahmen zu drehen. Eventuell müssen Sie etwas Druck auf den Rahmen ausüben, damit er sich in der richtigen Position zum Knopf ausrichtet; sollten Sie bei einem Knopf Schwierigkeiten haben, fahren Sie erst einmal mit einem anderen fort und kommen Sie zu diesem Knopf später zurück.

WICHTIGER HINWEIS: Drehen Sie jeden der vier Knöpfe erst einmal mit nur 3 bis 4 Umdrehungen in den Turm hinein, ehe Sie einen Knopf festziehen. Außerdem ist es wichtig, dass der Tower parallel und bündig an der Halterung mit den Knöpfen anliegt. Eventuell müssen Sie das Bein des Tower drücken/ziehen/drehen, um es richtig auszurichten.

- e. Sobald alle vier Knöpfe eingesetzt sind, ziehen Sie sie nacheinander fest.

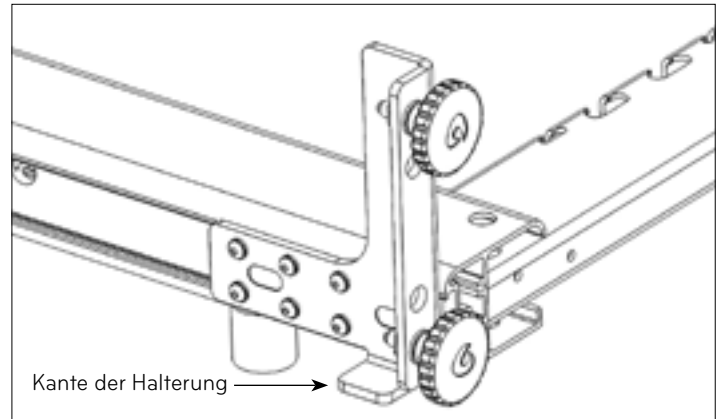


Abb. E

6. Montieren Sie die verstellbare Seilrolle, indem Sie die Bauteile wie in Abb. G zusammenbauen – wobei sich die Seilrolle an der Innenseite des Rahmens befindet. Ziehen Sie den Knopf an, wenn der Ösenbolzen wie in Abb. F horizontal ausgerichtet ist. Wiederholen Sie diesen Schritt ebenfalls auf der anderen Seite.

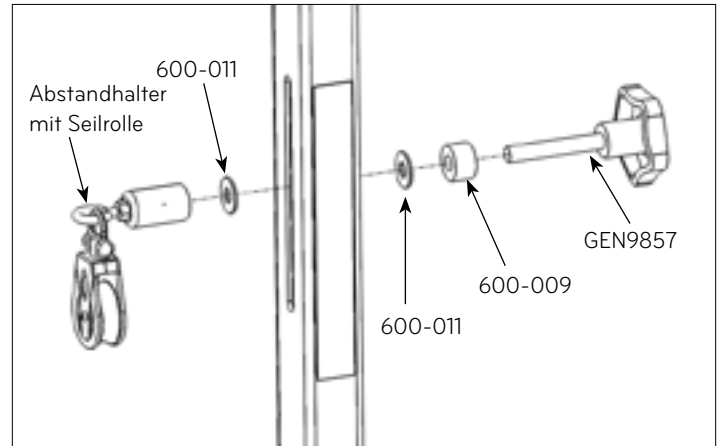


Abb. F

7. Montieren Sie die unteren Federhalterungen am Kopfende des Rahmens und verwenden Sie dazu die lange Schraube und den 5/32-Zoll-Inbusschlüssel. Ziehen Sie die Schraube fest, wobei der Ösenbolzen vertikal ausgerichtet ist; siehe Abb. G.

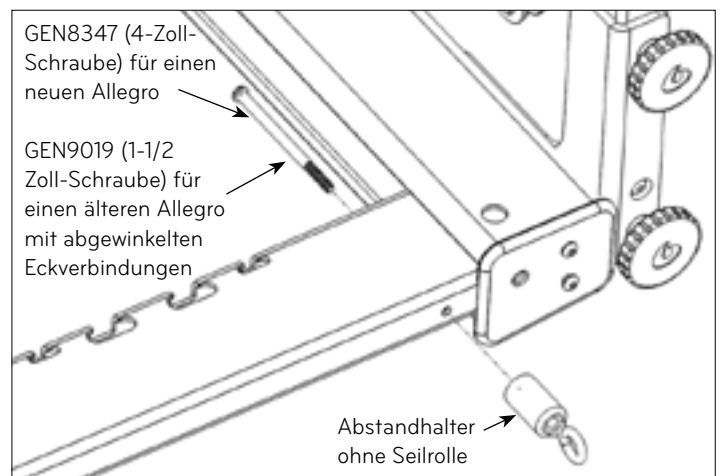


Abb. G

8. Fädeln Sie Ihre Seile durch die neuen Ständer-Seilrollen.

NEUPOSITIONIEREN DES T-STIFTS

Der Tower ist für den Versand so verpackt, dass sich die T-Stifte an der Innenseite des Tower-Rahmens befinden. Siehe Abb. H.

- Der T-Stift muss vor Verwendung des Geräts an der Außenseite des Tower-Rahmens angebracht werden. Zum Herausziehen des T-Stifts halten Sie die Push-Through-Stange (PTS) fest und den Knopf am Griff des Stifts gedrückt. Ziehen Sie den Stift aus der PTS und dem Tower-Rahmen heraus. Stecken Sie den Stift von der Außenseite des Tower-Rahmens wieder in den Rahmen hinein. Siehe Abb. H.

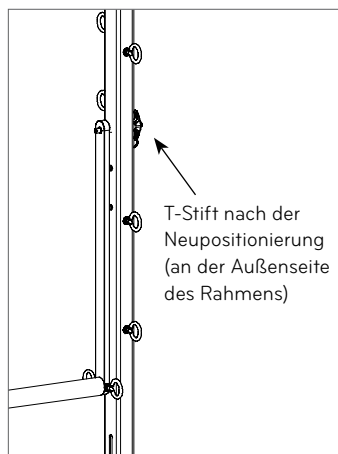


Abb. H

ANBRINGEN DER MAT-CONVERSION

- Lösen Sie alle Federn vom Schlitten.
- Schieben Sie den Schlitten zum Kopfende des Rahmens und legen Sie die Seile zur Seite.
- Legen Sie die Matte in den offenen Bereich zwischen der Standplattform und dem Schlitten.
- Nehmen Sie die Schulterstützen vom Schlitten ab (optional).

VERWENDEN DES SICHERUNGSRIEMENS DER PUSH-THROUGH-STANGE (PTS)

Hinweis: Verwenden Sie für Übungen, bei denen die Federn unten eingehängt sind, immer den Sicherheitsriemen.

Nur unter Aufsicht eines qualifizierten Ausbilders verwenden. Dieser Sicherheitsriemen wird nur für Push-Through-Stangenübungen verwendet, bei denen die Federn unten eingehängt sind. Das Bild rechts stellt dar, wie der Sicherheitsriemen korrekt zur Sicherung der Push-Through-Stange verwendet wird. Der Riemen verfügt über zahlreiche Schlaufen oder „Kontaktpunkte“, sodass der „Haltepunkt“ der Push-Through-Stange angepasst werden kann, wenn die Stange bei einer Übung losgelassen wird.



Abb. I

Hinweis: Wenn die Push-Through-Stange nicht verwendet wird, befestigen Sie sie mit dem Klettverschluss des Sicherheitsriemens oben am Tower-Rahmen in aufrechter Position.

SCHIEBEN UND ABSTELLEN DES ALLEGRO TOWER

Hinweis: Gehen Sie immer vorsichtig vor, wenn Sie einen Allegro oder Allegro Tower schieben, anheben oder lagern. Gehen Sie beim Anheben korrekt vor, um Verletzungen zu vermeiden.

SCHIEBEN:

Zum Verschieben eines Reformers mit Tower über kurze Entfernungen können Sie das Kopfende anheben und ihn auf den Transportrollen rollen, als wäre kein Tower montiert. Achten Sie darauf, dass Sie den Tower und den Reformer anheben und das Gerät daher schwerer ist als nur ein einzelner Reformer. Da der Tower ziemlich weit angehoben werden muss, sollten Sie bei niedrigen Decken vorsichtig sein.

Wenn ein Verschieben des Reformers mit Tower nicht möglich ist, müssen Sie den Tower entfernen, ehe Sie den Reformer verschieben.

- Ziehen Sie die Seile zurück durch die Seilrollen am Ständer.
- Lösen Sie die vier grauen Tower-Knöpfe und entfernen Sie den Tower vom Reformer-Rahmen. Wenn dieser zu schwer ist, können Sie zuerst die Federn und die PTS entfernen. Wenn Sie die PTS oder die Roll-Down-Stange nicht entfernen, müssen Sie darauf achten, dass sie frei schwingen könnten.
- Der Schlitten wird jetzt von mindestens 2 Federn in der Ausgangsposition gehalten – heben Sie das Kopfende des Reformers an, um ihn zu rollen.

Hinweis: Wenn Sie die verlängerten Beine montiert haben und sich die Transportrollen am Kopfende befinden, können Sie den Tower montiert lassen und das Fußende des Geräts anheben, um es zu rollen. Vergewissern Sie sich aber, dass sich der Schlitten vor dem Anheben am Kopfende des Rahmens befindet. Mit diesem Aufbau benötigen Sie für das Verschieben mehr Platz, aber unter bestimmten Umständen ist dies sicherlich zu vertreten. Heben Sie den Reformer nicht an der Fußstange an.

ABSTELLEN:

- Entfernen Sie den Tower-Rahmen, wie es im Abschnitt „Schieben“ beschrieben wird. **Der Tower muss vor dem Abstellen entfernt werden.**
- Für das senkrechte Abstellen des Allegro muss sich die Fußstange unbedingt in der korrekten Position befinden und arretiert sein. Bringen Sie die Fußstange in die Positionen, die dem Fußende des Reformer-Rahmens am nächsten liegen; arretieren Sie die Fußstange. Bringen Sie die Fußstange in die höchste Position. Heben Sie das Kopfende des Allegro-Rahmens auf Hüfthöhe an. Heben Sie dann den Rahmen an, bis er senkrecht steht. Stützen Sie den Rahmen ab, indem Sie Ihren Fuß gegen das Ende mit den Rollen stellen, während Sie ihn senkrecht stellen. Der senkrecht gestellte Allegro ruht auf der Fußstange und den Transportrollen.

Hinweis: Für das senkrechte Abstellen des Allegro muss sich die Fußstange unbedingt in der korrekten Position befinden und arretiert sein.

Einbau des Allegro[®]-Wandsicherungsriemens

Der Allegro-Wandsicherungsriemen wurde für die Montage an Wänden mit Holzrahmen entwickelt. Wenn Sie das Allegro an einer anderen Art Wand (Ziegel, Beton usw.) montieren wollen, könnte eine andere Art Befestigungsvorrichtung erforderlich sein. Kontaktieren Sie in diesem Fall Ihre Eisenwarenhandlung oder Ihren Installateur vor Ort.

Teileliste (enthalten)

- » 1 verstellbares Gürtelband
- » 1 3-1/2-Zoll-Ösenbolzen

Benötigtes Werkzeug (nicht enthalten)

- » Bohrer mit 1/8-Zoll-Bohreinsatz
- » Kreuzschlitz- oder Flachsraubendreher

ANBRINGEN DES ÖSENBOLZENS

1. Suchen Sie innerhalb der Wand einen Pfosten, an dem der Allegro angebracht werden soll. Vergewissern Sie sich, dass auf beiden Seiten des Pfostens sowie über dem Allegro ausreichend Platz ist. Bohren Sie mit einem 1/8-Zoll-Bohreinsatz ein Bohrloch in den Pfosten. Das Bohrloch sollte sich etwa 1,52 bis 1,67 Meter über dem Boden befinden. Sichern Sie den Ösenbolzen mit dem Schraubendreher im vorgebohrten Bohrloch, bis der Schaft des Ösenbolzens vollkommen in der Wand versenkt ist.

VERWENDEN DES WANDSICHERUNGSRIEMENS

2. Befolgen Sie die Allegro- oder Allegro Tower-Anleitung, um das Gerät ordnungsgemäß aufzustellen.
3. Schieben Sie den Allegro in die Nähe der Wand, wobei die Fußstange von der Wand weg weist (lotrecht zur Wand).
4. Wickeln Sie die Gurtenden um eine Schiene und verbinden Sie die Enden mit dem einstellbaren Clip wie einen Gürtel.
5. Passen Sie den Gurt an, bis er nicht mehr durchhängt.



HINWEIS: Wickeln Sie die Gurtenden nicht um den gesamten Rahmen – dafür ist er zu kurz.

WICHTIG: Balanced Body haftet nicht für Schäden oder Verletzungen, die durch einen fehlerhaften Wandaufbau oder durch Verwendung falscher oder ungeeigneter Wandaufbau-Befestigungen verursacht werden.

Wenden Sie sich bitte mit eventuellen Fragen an Balanced Body, telefonisch erreichbar innerhalb den USA und Kanada unter der Nummer +1-800-PILATES(1-800-745-2837) oder +1-916-388-2838 (international).

Zusammenbau des Allegro® Dehn-Reformers

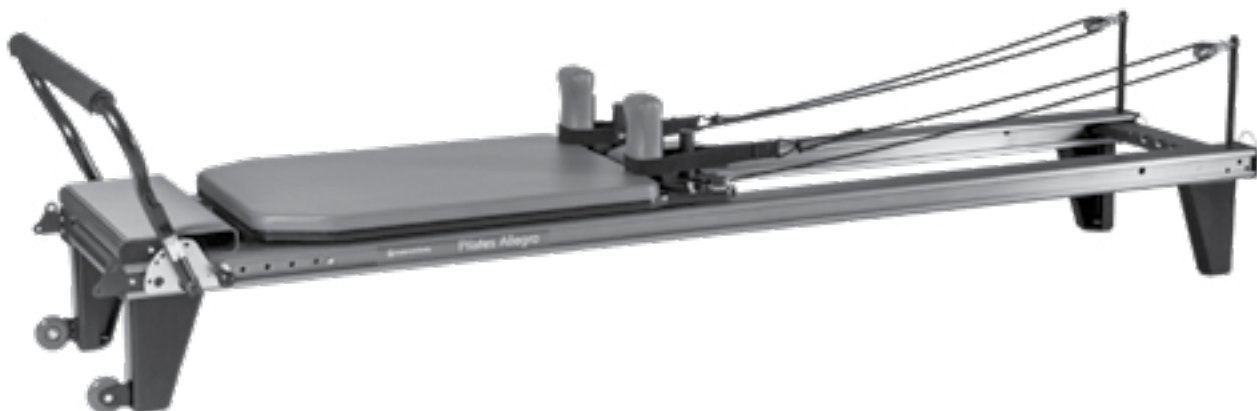
TEILELISTE

Teilenummer	Beschreibung	Anz.
950-002	Komplette Fußstange	1
950-020	Schulterbolzen und Unterlegscheiben	1 Satz
950-228	Schulterstütze mit Halterungen	1 Paar
616-400	Sicherungs-Schulterpfosten	2
GEN8000	Drehriegel-Rastknöpfe	2
210-057	Soft Touch-Seilen, Dehnung	1 Paar
210-064	Doppelschlaufen (Soft-Touch)	1 Paar
950-225	Allegro-Ständer mit Seilrolle	2
GEN9050	5/16-Zoll-Inbusschlüssel	1
ALL0060	Allegro-Schlüssel	1
SPR9070	Rote Feder	3
SPR9071	Blaue Feder	1
SPR9241	Gelbe Feder	1
DVD8413	Einführungs-DVD	1
621-008	Übergroße Stehplattform	1
UPH7040	Schaumstoffpolster - Stehplattform	1
UPH7041	Schaumstoffpolster - Übergroße Stehplattform	1

**WICHTIGE SICHERHEITSHINWEISE:
BITTE LESEN SIE DIESE WARNHINWEISE**

Lesen Sie vor der Verwendung des Allegro die folgenden wichtigen Sicherheitshinweise, um das Risiko ernsthafter Verletzungen auf ein Minimum zu reduzieren.

- » Lesen Sie vor der Verwendung des Allegro sämtliche Anweisungen in diesem Handbuch. Sehen Sie vor der Verwendung des Geräts das mitgelieferte Aufstellungs- und Sicherheitsvideo an. Verwenden Sie den Allegro nur entsprechend den Beschreibungen in dieser Anleitung und dem Video.
- » Der Besitzer ist dafür verantwortlich, dass die Benutzer des Allegro von allen Sicherheitshinweisen in Kenntnis gesetzt werden.
- » Der Allegro darf nur auf einer ebenen Fläche aufgestellt werden. Hände und Füße von allen beweglichen Teilen fernhalten. Lassen Sie mindestens zwei Federn am Schlitten eingehängt, wenn der Allegro nicht verwendet wird. Halten Sie Kinder unter 12 Jahren sowie Haustiere immer vom Allegro fern.
- » Sollten Sie Schmerzen, ein Schwindelgefühl oder Atemnot verspüren, brechen Sie das Training sofort ab.
- » Konsultieren Sie Ihren Arzt vor Beginn des Trainingsprogramms.



ANBRINGEN DER SCHULTERSTÜTZEN

Der Dehn-Reformer verfügt über acht unterschiedliche Positionen der Schulterstützen. Die Schulterstützen können ausgehend von schmalen oder breiten Schultern eingestellt werden. Um diese Einstellungen zu erzielen kann man unterschiedliche Positionen für die linke oder rechte Schulterstütze auswählen.

1. Achten Sie auf die zwei hervorstehenden Zapfen unten an den Schulterstützen. Schieben Sie die Zapfen der Schulterstützen in die Schlüssellocher ein und anschließend vom Schlittenpolster weg. Siehe Abb. A.

Hinweis: Die Schulterstützen können auf zwei verschiedenen Positionen montiert werden. Die breitere Position ist bequemer für Anwender mit breiten Schultern. Tauschen Sie die linken und rechten Schulterstützen, um zwischen dem Aufbau „Standard“ und „Breit“ zu wechseln.

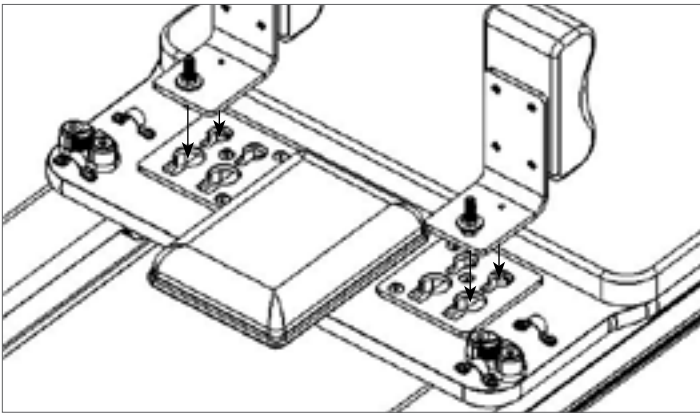


Abb. A

2. Schrauben Sie nun an jeder Schulterstütze die Sicherungs-Schulterpfosten auf den freiliegenden Bolzen. Abb. B.

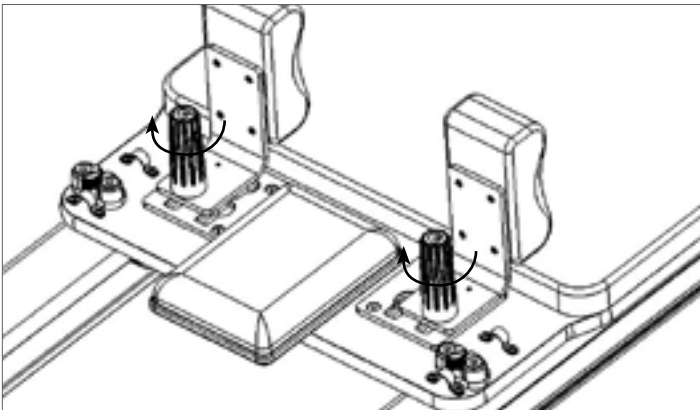


Abb. B

Verwendung der Sicherungs-Schulterpfosten:

Drehen Sie die Pfosten zur Befestigung im Uhrzeigersinn und verriegeln Sie die Schulterstützen in Position. Ein zu starkes Anziehen der Pfosten erschwert das spätere Entfernen. Sie sollten daher fest, aber nicht zu fest sitzen. Zum Entfernen der Schulterstützen drehen Sie den Pfosten 1 bis 2 Umdrehungen gegen den Uhrzeigersinn und schieben Sie die Schulterstützen sanft in Richtung Schlitten.

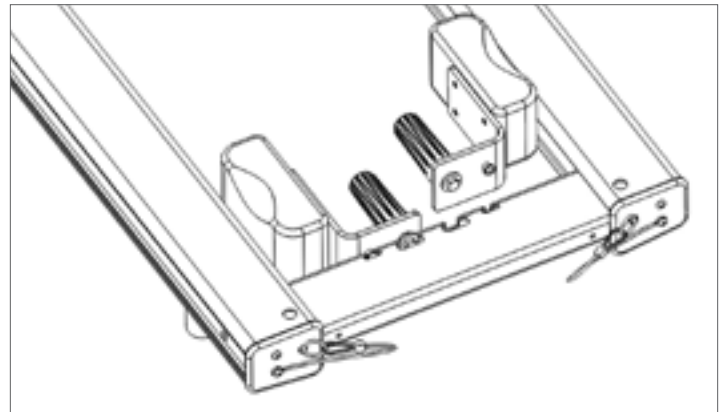


Abb. C

MONTAGE DER SCHWARZEN RASTKNÖPFE

3. Blicken Sie durch das große Gewindeloch am Drehzapfen und richten Sie es mit einem der Löcher im Rahmen aus. Schrauben Sie den Rastknopf in das große Loch, bis er vollständig eingeschraubt ist. Siehe Abb. D.
4. Auf der anderen Seite wiederholen. Ziehen Sie beide Rastknöpfe mit dem beiliegenden Gabelschlüssel fest.

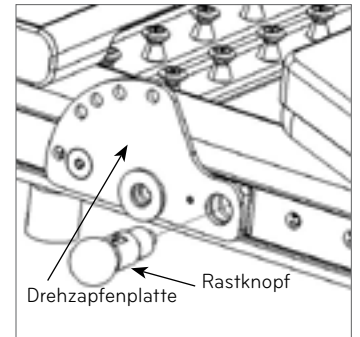


Abb. D

Zum Entfernen der Drehzapfen ziehen Sie die Kugel der Rastknöpfe vom Rahmen weg, drehen Sie diese um 90° und stellen Sie sie in dieser Position fest. Zum erneuten Einrasten des Rastknopfes drehen Sie den Knopf, bis er in einem der Löcher an der Seite des Rahmens einrastet.

Hinweis: Vergewissern Sie sich vor jedem weiteren Schritt, dass sich beide Drehzapfenplatten in der gleichen horizontalen Position befinden.

ANBRINGEN DER FUSSTANGE

5. Richten Sie die Fußstange so aus, dass die Naht der Fußstangenabdeckung vom Schlittenpolster weg weist.

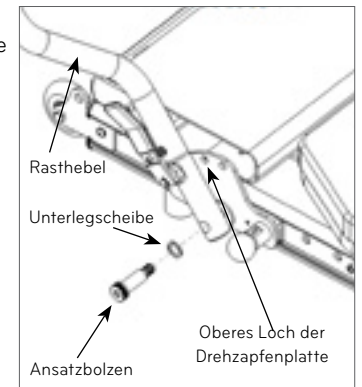


Abb. E

6. Halten Sie den Rasthebel der Fußstange gedrückt und manövrieren Sie die Fußstange an der Außenseite über die Drehzapfenplatten. Richten Sie jeden Stift der Fußstange mit dem oberen Loch der Drehzapfenplatte aus. Halten Sie die Fußstange weiterhin fest und lassen Sie die Rasthebel der Fußstange los, um die Drehzapfenplatte einrasten zu lassen. Achten Sie darauf, dass die Stifte auf beiden Seiten eingerastet sind. Siehe Abb. E.

- Kippen Sie die Fußstange leicht, bis das große Loch unten an der Fußstange mit dem noch verbleibenden Loch in der Drehzapfenplatte übereinstimmt.

Stecken Sie den Ansatzbolzen mit einer Unterlegscheibe durch das große Loch der Fußstange. Schrauben Sie den Ansatzbolzen dann mit dem großen Inbusschlüssel (GEN9050) so fest wie möglich in die Drehzapfenplatte hinein. Wiederholen Sie diesen Schritt auf der anderen Seite. Siehe Abb. E.

ANBRINGEN DER STÄNDER

- Entfernen Sie die Verriegelungsstifte vom Rahmen. Stecken Sie die Ständer in die Löcher oben am Rahmen. Drehen Sie die Ständer, bis die angebrachten Seilrollen entlang des Rahmens gerade nach unten zur Fußstange zeigen. Siehe Abb. F.

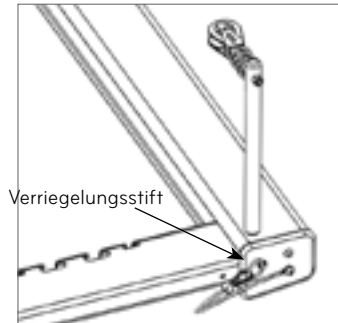


Abb. F

- Bringen Sie die Verriegelungsstifte wieder an, sodass der Metallring den Rahmen berührt. Vielleicht müssen Sie etwas am Ständer rütteln oder ihn leicht anheben oder drehen, damit die Verriegelungsstifte ganz eingeführt werden können.

BEFESTIGEN DER SEILE

- Zum Befestigen der Seile spannen Sie zuerst mindestens eine Feder vom Schlitten zum Rahmen, damit der Schlitten in der Ausgangsposition bleibt. Entrollen und trennen Sie die Seile.
- Der Allegro ist inzwischen mit Soft-Touch-Seilen erhältlich, die keine Dog-Clips zur Befestigung der Schlaufen aufweisen. Der Clip hängt jetzt nicht mehr am Rahmen und schlägt auch nicht mehr dagegen! Halten Sie sich an die folgende Bildanleitung, um die Schlaufen anzubringen. Siehe Abb. G.

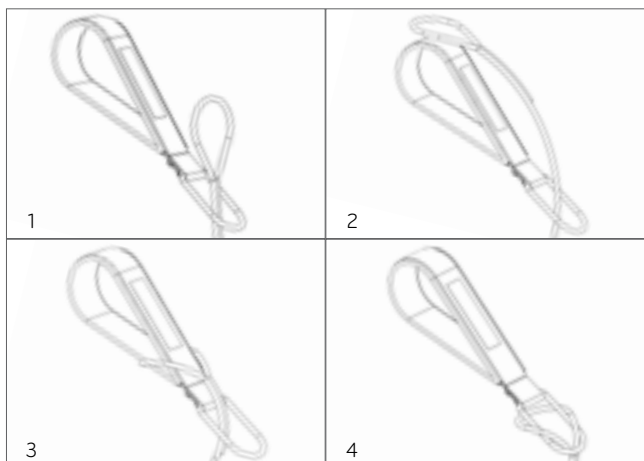


Abb. G

- Legen Sie die Schlaufen über die Schulterstützen. Fädeln Sie das andere Ende eines jeden Seils zum Einstellen der Länge durch eine Ständer-Seilrolle und zurück in die Klemmen am Schlitten ein. Beachten Sie dabei, dass Sie das Seil auf beiden Seiten der Klemmen durch die Chromösen einfädeln. Drücken Sie das Seil immer fest nach unten in die Klemmen, sodass es fest sitzt.

LAGERUNG DES ALLEGRO REFORMER

Stapeln

Eine Demonstration zum Stapeln des Allegro ist im Abschnitt „Aufstellung und Sicherheit“ der DVD „Allegro-Einführung/Stufe 1“ zu sehen. Hängen Sie die Federn ein, damit sich der Schlitten nicht bewegt. Schieben Sie die Fußstange in die unterste Position. Nehmen Sie die Schulterstützen ab und legen Sie sie in die Aussparungen am Kopfende des Rahmens. Klappen Sie die Kopfstütze nach unten. Nehmen Sie die Ständer ab und stecken Sie sie in die Aufbewahrungsöffnungen an den Seiten des Rahmens. Legen Sie die Seile und Schlaufen in den Rahmen des Allegro – und nicht auf den Schlitten. Stapeln Sie die Allegros in abwechselnder Ausrichtung. Platzieren Sie die Füße des Kopfendes auf die Standplattform des darunter liegenden Allegro usw. Stapeln Sie maximal 5 Reformer ohne Füße (3 mit Füßen). Stapeln Sie keine Reformer mit installiertem Tower.

Stand

Falls der Lieferumfang eine übergroße Stehplattform beinhaltet, vergewissern Sie sich, dass Sie sie vor dem Aufbau des Reformers entnommen haben. Für das senkrechte Abstellen des Allegro muss sich die Fußstange unbedingt in der korrekten Position befinden und arretiert sein. Bringen Sie die Fußstange in die Position, die dem Fußende des Reformer-Rahmens am nächsten liegt und arretieren Sie die Fußstange. Heben Sie die Fußstütze in die höchste Position hoch. Heben Sie das Kopfende des Allegro-Rahmens auf Hüfthöhe an. Heben Sie dann den Rahmen an, bis er senkrecht steht. Stützen Sie den Rahmen ab, indem Sie Ihren Fuß gegen das Ende mit den Rollen stellen, während Sie ihn senkrecht stellen. Der senkrecht gestellte Allegro ruht auf der Fußstange und den Transportrollen. Siehe Abb. H.

REINIGUNG & WARTUNG

Reinigung

Wischen Sie das Schlittenpolster, die Kopfstütze, die Fußstange und die Schulterstützen nach jeder Verwendung mit einem weichen Lappen und einem milden, nicht scheuernden Reinigungsmittel ab. Die Schienen und Rollen des Schlittens müssen stets frei von Staub und Verschmutzung sein. Die gesamte Schiene sollte regelmäßig mit einem Lappen abgewischt werden. Die Fußstangendrehzapfen sollten wöchentlich gereinigt werden. Reinigen Sie den Rahmen mit einem milden, nicht scheuernden Reinigungsmittel. Halten Sie die Seile und Federn von Staub frei. Die Baumwollschlaufen können in der Maschine gewaschen werden. Zum Trocknen aufhängen.

Schmierung

Das C-Profil der Drehzapfenplatte der Fußstange kann mit Trockensilikonspray geschmiert werden.

WARTUNG

» Lesen Sie die beiliegenden Sicherheitsanleitung.

FRAGEN?

Sie erreichen den technischen Kundendienst von Balanced Body telefonisch unter 1-800-745-2838 (USA und Kanada) oder unter +1-916-388-2838.

Neue Fußleisten-Features für den Balanced Body® Allegro® Dehnungssystem

HORIZONTALE EINSTELLUNGEN DER FUSSTANGE

Der Allegro ist mit einer beweglichen, einstellbaren Fußstange ausgestattet, die sich an die Größe des Anwenders anpassen lässt. Ziehen Sie zur Anpassung der Fußstange die runden schwarzen Knöpfe an der Unterseite der Fußstange heraus, drehen Sie sie um 90 Grad und stellen Sie sie in dieser Position fest. Schieben Sie die Fußstange vor- oder rückwärts, bis sie mit dem passenden Loch auf der Schiene übereinstimmt. Drehen Sie den Knopf erneut, bis der Stift in eines der Löcher einrastet. Vergewissern Sie sich, dass der Stift vollständig eingerastet ist.

- » **Loch 1** liegt direkt am Fußstangenende des Reformers und ermöglicht die weiteste Entfernung zwischen den Schulterstützen und der Fußstange. Es wird für größere Anwender verwendet (über 1,91 Meter oder falls eine tiefere Knie- und Hüftbeugung gewünscht wird).
- » **Loch 2** ist für Anwender zwischen 1,82 Meter und 1,91 Meter.
- » **Loch 3** ist für Anwender zwischen 1,75 Meter und 1,82 Meter.
- » **Loch 4** ist für Anwender zwischen 1,65 Meter und 1,75 Meter.
- » **Loch 5 ist für Benutzer zwischen 1,47 Meter und 1,65 Meter konzipiert**

Die hier angegebenen Höhenbeispiele sind Vorschläge. Wenn der Schlitten bei Bein- und Fußübungen ganz eingefahren ist, sollte es dem Anwender durch richtige Fußstangenanpassung möglich sein, eine Hüftbeugung von geringfügig weniger als 90° zu erzielen.

VERTIKALE EINSTELLUNGEN DER FUSSTANGE

Um die Fußleiste vertikal einzustellen, drücken Sie beide Griffe an der Unterseite der Fußleiste, bis sich der Stift von der Platte löst. Bewegen Sie die Fußstange bis zur gewünschten Höhe und lassen Sie den Stift im Loch einrasten.

- » **Senkrechte Position** – Stellen Sie den Stift in das höchste Loch und lockern Sie den Griff. Diese Position hat den geringsten Abstand zwischen den Schulterstützen und Fußstütze. Diese Position ist für die Bein- und Fußübungen der Benutzer mit Körpergröße unter 183 cm vorgesehen.
- » **Hohe Stange** – Stellen Sie den Stift in das zweite Loch von Oben und lockern Sie den Griff. Die hohe Stangenposition verkürzt den Zwischenraum zwischen den Schulterstützen und der Fußstange. Diese Position eignet sich für Fuß- und Beinübungen bei kleineren Anwendern und bei Anwendern, die bei der Positionierung ihres Rückens aufgrund einer Lendenlordose oder Rückenverspannung Probleme haben.

- » **Mittelhohe Stange** – Stellen Sie den Stift in das dritte Loch von Oben auf der Platte. Die mittlere Stangenposition verlängert den Zwischenraum zwischen den Schulterstützen und der Fußstange. Dies verringert die Beugung der Knie bei Fuß- und Beinübungen und platziert den Oberkörper in einer neutralen, aufrechten Position.
- » **Niedrige Stange** – Stellen Sie den Stift in das vierte Loch von Oben auf der Platte. Die niedrige Stangenposition vergrößert den Zwischenraum zwischen den Schulterstützen und der Fußstange auf die maximale Distanz. Dies verringert die Beugung der Knie bei Fuß- und Beinübungen, verringert die Beugung des Oberkörpers und der Hüften bei der Elefant-Übung und kann für größere oder beweglichere Anwender von Nutzen sein.
- » **Keine Stange** – platzieren Sie den Stift im untersten Loch auf der Platte. Für Standübungen und Übungen, bei denen der Anwender auf der Box liegt, wird die Stange entfernt.

Bitte beachten Sie das Handbuch für alle anderen Allegro-Features.

LEICHT REGELBARE DREHRIEGEL-RASTKNÖPFE

Die Allegro® Reformer und Clinical Reformer® und Studio Reformer® mit Infinity Fußbügeln von Balanced Body haben Drehriegel-Rastknöpfe, die das Einstellen des Reformer Fußbügels wesentlich vereinfacht.

Zum Einstellen ziehen Sie bitte den Rastknopf gerade nach oben, sodass der versenkte Querstift aus dem Schlitz herauskommt, wie in Abb. A gezeigt. Drehen Sie den Knopf, sodass der Querstift auf dem Verschlusskopf verbleibt, wie in Abb. B gezeigt. Auf der anderen Seite wiederholen.

Verschieben Sie den Fußbügel entlang des Rahmens Ihres Reformers mit den Knöpfen in der „Entsperrt“-Position bis in die gewünschte Stellung. Drehen Sie anschließend die Knöpfe, sodass die Querstifte wieder versenkt sind und dadurch den Fußbügel fest in seiner neuen Stellung verriegeln.

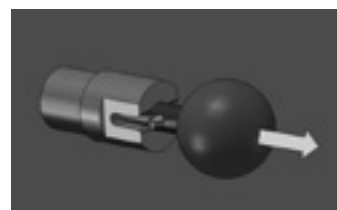


Abb A

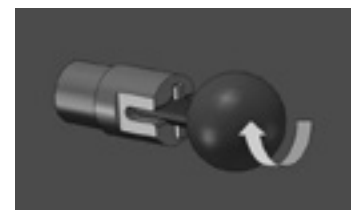


Abb B

Wie die übergroße Stehplattform installiert und benutzt wird

Wenn Sie einen Allegro Stretch Reformer bestellt haben, wird Ihr Gerät mit einer neuartigen übergroßen Kippstehplattform und einem übergroßen Plattform-Polster geliefert. Wenn Sie einen herkömmlichen Allegro Reformer bestellt haben, finden Sie weiter unten heraus, welche Plattform Sie bestellen können.

Ermitteln Sie, welchen Typ von Allegro Reformer Sie haben.

- » Wenn die Schienen neben der Trommel und der Stehplattform ein geschlitztes Loch haben, folgen Sie den neuen Anweisungen und bestellen Sie Teilenummer 950-266; Übergroße Stehplattform, Alb.
- » Wenn Ihr Reformer keine Schlitzlöcher in den Schienen hat, folgen Sie den alten Anweisungen (seperates Blatt) und bestellen Sie Teilenummer 720-063; Übergroße Stehplattform, Alb.

NEUARTIG

INSTALLATION DER ÜBERGROSSEN STEHPLATTFORM

1. Senken Sie die übergroße Kippstehplattform (Ü.S.P.) bis hinunter zur montierten Stehplattform. Die Ü.S.P. hat zwei Laschen, die in die Schlitzlöcher der Stehplattform einrasten. Die Stifte auf der Unterseite zeigen in Richtung Schlitten. Siehe Abb. B.
2. Sobald die Laschen des Ü.S.P. eingerastet sind, kippen Sie sie nach vorn und senken Sie sie, bis die Stifte die Schienen berühren und in die Schlitzlöcher der Schienen einrasten. Siehe Abb. C.
3. Sie können jetzt Ihren Ü.S.P. verwenden. Um die Federn zu erreichen und zu wechseln, kippen Sie die Ü.S.P. nach oben, weg vom Schlitten. Wenn Sie mit dem Auswechseln fertig sind, senken Sie die Ü.S.P. bis hinunter auf die Schienen.

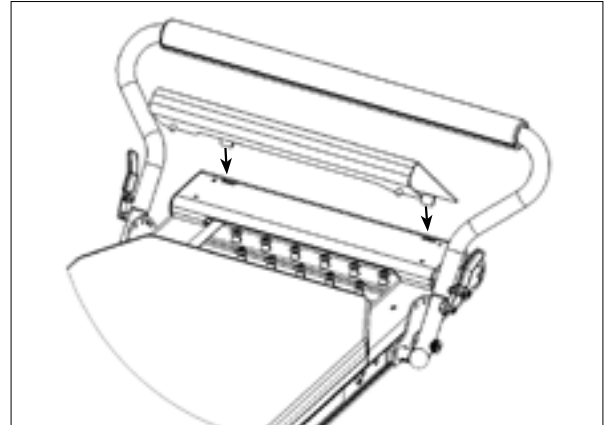


Abb. B

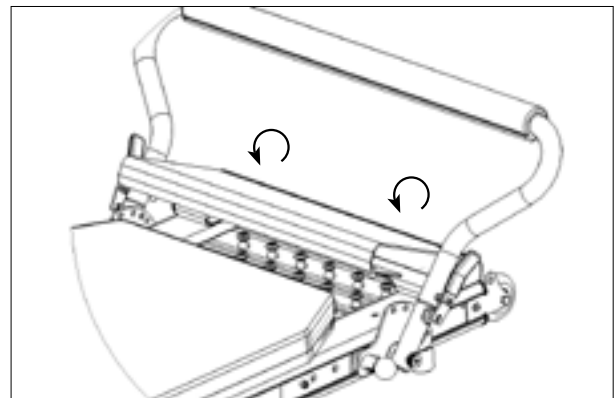


Abb. C

Wie die Stehplattform-Polster für den Allegro® Stretch Reformer installiert und verwendet werden

Ihr Allegro Stretch Reformer wird mit zwei Stehplattform-Polstern geliefert, das eine für die fixierte Stehplattform und das andere für die übergroße Stehplattform. Legen Sie sie direkt auf die zu verwendende Stehplattform. Diese Polster gleichen die Höhe der Stehplattform mit Ihrem Schlittenpolster an. Siehe Abb. A und B.

Hinweis: Sie müssen zunächst das kleine Polster entfernen, bevor Sie die Ü.S.P. installieren. Verwenden Sie NUR EIN Polster zur gleichen Zeit. ONLY use one pad at a time.

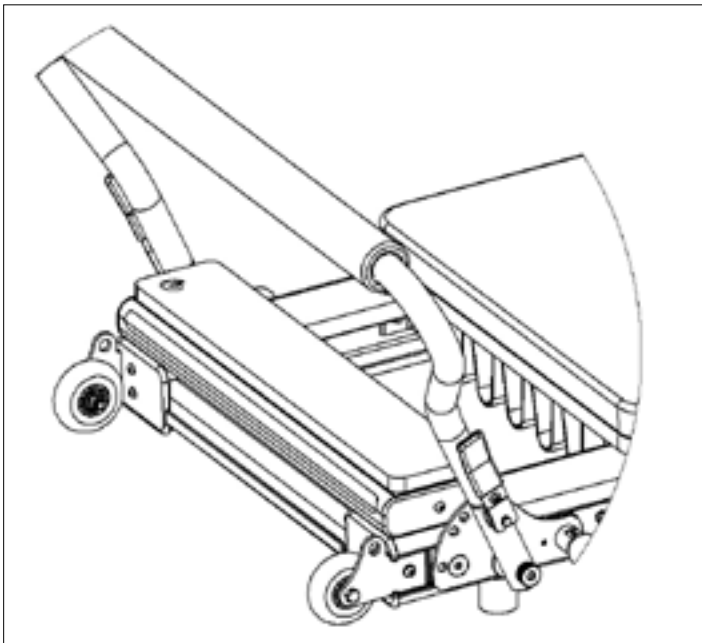


Abb. A - Stehplattform-Polster

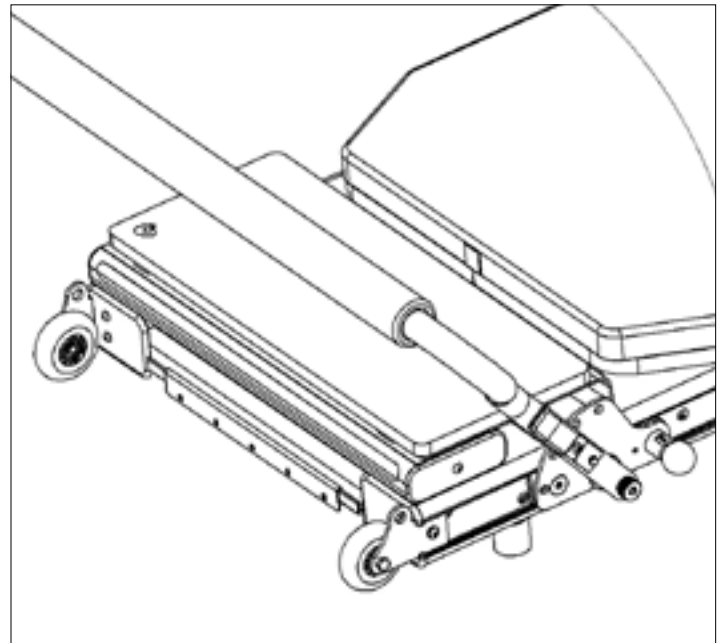


Abb. B - Übergroßes Stehplattform-Polster

Allegro[®] Reformer ÜBUNGEN

DEFINITION DER BEGRIFFE FÜR DEN ÜBUNGSaufbau

- » **Stufe:** Zur Durchführung der Übungen benötigtes Fachwissen.
- » **Wiederholungen:** Gibt an, wie oft ein bestimmter
- » Bewegungsablauf durchgeführt wird.
- » **Federn:** Gibt an, wie viele Federn für eine Übung angebracht sein sollen.
- » **Fußbügel:** Gibt die ordnungsgemäße Stellung des Fußbügels
- » bei einer Übung an.*
Kopfstütze: Gibt die ordnungsgemäße Stellung des Kopfstütze bei einer Übung an.*
- » **Schlaufen:** Gibt an, welche Schlaufen für eine Übung verwendet werden sollen.*
- » **Schwerpunkt der Übung:** Gibt an, worauf bei einer Übung besonderes Augenmerk gelegt wird.
Vorsicht bei: Weist auf die körperliche Verfassung des Anwenders hin, die ihn/sie einschränkt oder gar ganz von der Übung ausschließt. Die Übungen müssen dann evtl. auf diese Personen angepasst werden.
- » **Vorgaben:** Spezielle Übungen, die vor Durchführung einer neuen Übung gemeistert werden müssen.
- » **Ausgangsposition:** Gibt an, wo und wie eine Übung am Reformer begonnen wird.
- » * falls anwendbar

SICHERHEIT & WARTUNG

SICHERHEIT

Um Verletzungen oder Beschädigungen zu vermeiden, lesen Sie bitte vor Verwendung des Allegro Reformer Allegro Tower System alle Anleitungen und die folgenden Vorsichtsmaßnahmen.

- » Der Besitzer ist dafür verantwortlich, alle Benutzer des Allegro Reformer Allegro Tower System über alle Vorsichtsmaßnahmen ausreichend zu informieren.
- » Bitte verwenden Sie den Allegro Reformer Allegro Tower System nur auf einer ebenen Stellfläche.
- » Halten Sie Hände und Füße von allen beweglichen Teilen fern. Wird der Allegro Reformer Allegro Tower System nicht verwendet, sollten mindestens zwei Federn mit dem Rahmen verbunden bleiben.
- » Kinder unter 12 Jahren und Haustiere stets vom Allegro Reformer Allegro Tower System fernhalten.
- » Sollten Sie Schmerzen, Schwindelgefühl oder Atemnot verspüren, sofort das Training abbrechen.
- » Nicht auf die Fußstange stellen.
- » Konsultieren Sie Ihren Arzt vor Beginn eines Trainingsprogramms.
- » Stellen Sie den Allegro Reformer Allegro Tower System nicht ohne Rollensatz aufrecht hin.

WARTUNG

- » Je nach Häufigkeit der Verwendung sollten die Federn für ein oder zwei Jahre (3000 Stunden) betriebssicher sein. Alle Federn austauschen, die geknickt oder verbogen sind oder im Ruhezustand Abstände aufweisen.
- » Für das Auswechseln der Seile siehe die Anleitungen auf der Unterseite des Schlittens. Dazu wird der Reformer auf eine Seite gelegt (bitte legen Sie zu diesem Zweck eine Pilatesmatte neben den Reformer, um die Oberfläche zu schützen), oder auf einem Ende aufgestellt, wenn Sie Transportrollen besitzen.
- » Entfernen Sie Haare und Schmutz von den Rollenachsen. Schmutz kann Druck auf die Lager ausüben und zu deren Verschleiß führen. Wenn die Lager Geräusche verursachen, sofort ersetzen. Sonst ist keine Wartung an den Lagern erforderlich. Reparieren Sie Risse in der Polsterung mithilfe eines Reparatur-Kits, das in Autozubehörgeschäften erhältlich ist, oder lassen Sie die Reparatur vor Ort vornehmen.
- » Wenden Sie sich zwecks anderer oder neuer Polsterungsoptionen an Balanced Body. Ersatzpolsterung erhalten Sie bei Balanced Body.
- » Alle Schrauben und Bolzen überprüfen und nachziehen. Fehlende Schrauben, Arretierstifte oder andere Teile sofort ersetzen.
- » Überprüfen Sie die Bolzen der Fußstange monatlich, um deren festen Sitz zu gewährleisten.

REINIGUNG

Wischen Sie die Schlittenpolsterung, Kopfstütze, Fußstange und Schulterstützen nach jeder Verwendung mit einem weichen Tuch und einer milden, nichtscheuernden Seifenlösung ab. Halten Sie Schiene und Rollen von Staub und Schmutz frei. Reinigen Sie den Rahmen mit einer milden, nichtscheuernden Seifenlösung. Halten Sie die Seile und Federn von Staub frei. Die Baumwollschlaufen können in der Maschine gewaschen werden. Zum Trocknen aufhängen.

HINWEIS: DIE KOMPONENTEN VON FUSSLEISTE, WAGEN, ROLLEN ODER SCHIENEN DÜRFEN NICHT GEFETTET ODER GESCHMIERT WERDEN. Bei Problemen oder Fragen kontaktieren Sie bitte den technischen Support von Balanced Body. Die Zugabe von Fett oder Schmiermittel kann zur Folge haben, dass die Komponenten nicht mehr sicher einrasten und unsicher werden.

Fragen? Sie erreichen den technischen Kundendienst von Balanced Body unter der Nummer 1-800-PILATES (in den USA) oder +1-916-388-2838 (international) oder über info@pilates.com.

FUSSÜBUNGEN, ALLE STUFEN

10 Wiederholungen

Federn: 2 – 4 Federn

Fußbügel: mittig oder hoch / **Kopfstütze:** oben

Schwerpunkt der Übung

- » **Atmung:** Ausatmen beim Strecken / Einatmen beim Beugen, oder Einatmen beim Strecken / Ausatmen beim Beugen in neutraler Wirbelsäulenposition
- » Beckenstabilität
- » Ausrichtung der Hüfte, Beine und Fußgelenke
- » Ausrichtung der Hüfte, Beine und Fußgelenke
- » Kreislauf
- » **Isolierung:** lösen unnötiger Spannungen in Oberkörper und Hüften

Vorsicht bei:

empfindlichen Fußgelenken, Knien, Hüftbeugeproblemen, Stauchungen der Wirbelsäule

Ausgangspositionen

Legen Sie sich in Rückenlage auf dem Schlitten, Füße auf dem Fußbügel, Beine hüftbreit auseinander.

Fersen

Die Fersen sind auf dem Fußbügel. Drücken Sie sich ab und danach wieder zurück in Ausgangsposition.

Zehen

Die Fußballen sind auf dem Fußbügel, Fersen leicht angehoben. Abdrücken und wieder zurück in Ausgangsposition.

Klammerfuß

Die Fußballen um den Fußbügel legen. Abdrücken und wieder zurück in Ausgangsposition.

Pilates V

Die Fußballen sind auf dem Fußbügel, nach außen gedreht, leicht entlastet, Fersen zusammen. Abdrücken und wieder zurück in Ausgangsposition.

Beugen / Relevé

Die Fußballen sind auf dem Fußbügel, parallel, die Beine sind durchgedrückt. Fußsohle nach vorne drücken, Fußsohle nach hinten ziehen, Knie beugen, dann zurück in die Ausgangsposition drücken.

2. Position

Die Fersen liegen jeweils außen am Fußbügel, leicht nach außen gedreht. Abdrücken und wieder zurück in Ausgangsposition.

Auf-der-Stelle-Laufen

Die Fußballen sind auf dem Fußbügel. Eine Ferse nach hinten ziehen, das andere Knie beugen. Beine abwechselnd 20 – 50 mal wiederholen.



Fersen



Zehen



Klammergriff



Pilates V



STREITWAGEN, STUFE 1

10 Wiederholungen, Federn: 1 – 2

Fußbügel: kein / Schlaufen: kurz

Schwerpunkt der Übung

- » **Atmung:** Ausatmen beim Zurücklehnen / Einatmen beim Aufrichten, oder umgekehrt.
- » Beweglichkeit der Wirbelsäule
- » Stärkung der Bauchmuskulatur
- » Schultern sind unten
- » Hals ist gestreckt
- » Entspannte Hüftbeugemuskeln

Vorsicht bei:

Rückenverletzungen, Halsverletzungen, Verletzungen des Hüftbeugemuskels Vorsicht bei Osteoporose

Vorgaben:

Bequeme Wirbelsäulenbeugung möglich

Ausgangsposition

Mit Blick zu den Seilen hinsetzen. Die Knie gebeugt. Die Schlaufen in den Händen halten, dabei die Arme gerade mit lockerem Ellenbogen halten.

Standardübung

Schlaufen mit gerader Armhaltung festhalten. Vorwärts rollen, mit geradem Oberkörper zurücklehnen, zurückrollen und dabei die Wirbelsäule leicht wieder vorbeugen.

Schiefe Variante

Die Knie zu einer Seite und den Rumpf zur anderen Seite drehen, zurücklehnen, danach Körperdrehung umkehren und aufrichten.

Varianten der Armübungen

Lehnen Sie sich bis auf den Rücken auf dem Schlitten zurück und führen Sie dabei 3 Bizeps-Curls oder 3 Hebungen des Deltamuskels durch. Danach richten Sie sich wieder auf.



„HUNDRED“, ALLE STUFEN

10 Sätze Federn: 1 – 3

Fußbügel: kein / Schlaufen: normal / Kopfstütze: oben

- » Schwerpunkt der Übung
- » **Stoßweise Atmung:** Einatmen für 5 Stück, Ausatmen für 5 Stück
- » **Stabiles Becken:** angedrückt oder neutral
- » Eingezogene Bauchmuskulatur
- » Stärkung der Bauchmuskulatur
- » Schultern sind unten
- » Hals ist gestreckt

Vorsicht bei:

Rückenverletzungen, Halsverletzungen, Verletzungen des Hüftbeugemuskels, Osteoporose

Vorgaben:

„Hundreds“ auf der Matte

Ausgangsposition

In Rückenlage auf den Schlitten legen. Die Knie bilden einen 90°-Winkel, die Hände umfassen die Schlaufen. Die Arme zur Decke strecken.

Stufe 1

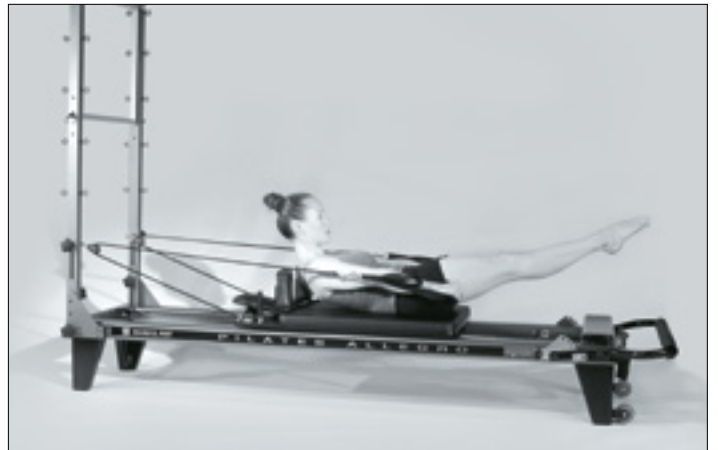
Die Knie bilden einen 90° Winkel. Die Arme greifen beim Anheben von Kopf und Oberkörper vom Schlitten zur Seite. Die Arme im Takt der Atmung bewegen.

Stufe 2

Die Beine zeigen geradewegs zur Decke. Die Arme greifen beim Anheben von Kopf und Oberkörper vom Schlitten zur Seite. Die Arme im Takt der Atmung bewegen.

Stufe 3

Die Arme greifen beim Anheben von Kopf und Oberkörper vom Schlitten zur Seite. Die Beine werden zur Decke gestreckt und danach wieder mit flachem Rücken auf der Matte abgelegt. Die Arme im Takt der Atmung bewegen.



KOORDINATION, STUFE 2

6 Wiederholungen

Federn: 1 – 2

Fußbügel: kein / Schlaufen: normal / Kopfstütze: oben
Schwerpunkt der Übung

- » **Atmung:** Am Startpunkt einatmen, am Endpunkt ausatmen. Beim Einatmen öffnen/schließen, beim Ausatmen zurück in Startposition.
- » **Stabiles Becken:** angedrückt oder neutral
- » Eingezogene Bauchmuskulatur
- » Stärkung der Bauchmuskulatur
- » Stärkung der Adduktoren
- » Schultern sind unten
- » Hals ist gestreckt

Vorsicht bei:

Rückenverletzungen, Halsverletzungen, Verletzungen des Hüftbeugemuskels, Vorsicht bei Osteoporose

Vorgaben:

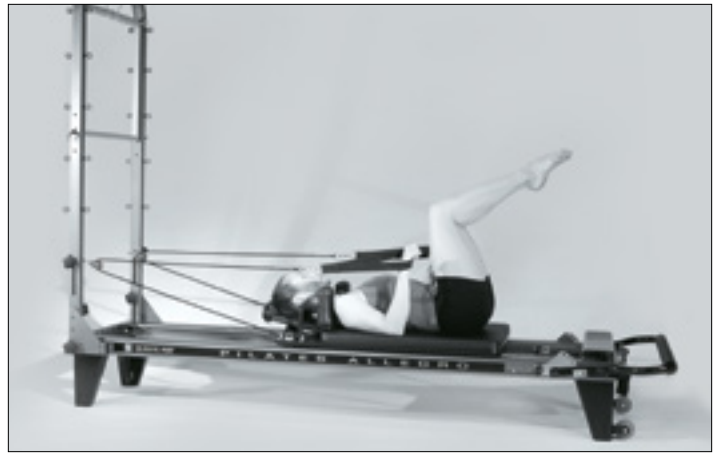
„Hundreds“ auf der Matte oder dem Reformer

Ausgangsposition

In Rückenlage auf den Schlitten legen. Die Knie bilden einen 90°-Winkel, Hände umfassen die Schlaufen, die Ellenbogen bilden einen 90°-Winkel und die Oberarme liegen auf dem Schlitten.

Standardübung

Beim Anheben von Kopf und Oberkörper vom Schlitten in die Hundreds-Position greifen die Arme zur Seite. Die Beine öffnen und schließen. Zuerst die Knie beugen, danach Kopf ablegen und mit den Armen wieder zurück in die Ausgangsposition.



ENTGEGENGESETZTES BAUCHMUSKELTRAINING, STUFE 4

10 Wiederholungen

Federn: 1 – 2

Fußbügel: kein / **Schlaufen:** normal

Schwerpunkt der Übung

- » **Atmung:** zum Anziehen der Knie ausatmen, einatmen beim Entlasten
- » Stärkung der Bauchmuskulatur
- » Stärkung des Iliopsoas-Muskels
- » Koordination von Iliopsoas und Abdomen (Bauchmuskulatur)
- » Angedrückte Wirbelsäule
- » Schultern sind unten
- » Hals ist gestreckt

Vorsicht bei:

Rückenverletzungen, Halsverletzungen, Verletzungen des Hüftbeugemuskels, Osteoporose

Vorgaben:

Roll-up auf der Matte, starke Bauchmuskulatur, in der Lage die Wirbelsäule angedrückt zu halten

Ausgangsposition

Gehen Sie in Rückenlage mit angedrückter Wirbelsäule und Gesicht zu den Seilen. Die Knie sind um 90° angewinkelt. Die Schlaufen sind um die Knie. Der Kopf wird durch die Hände unterstützt, die Ellenbogen sind breit.

Standardübung

Wirbelsäule angedrückt halten, Bauchmuskeln herausdrücken und die Knie mehr als 90° heranziehen bei gleichzeitiger Beugung des Rumpfes und Anheben des Kopfes. Beine wieder ablegen und Wirbelsäule angedrückt halten.

Schräge Variante

Rumpf nach rechts drehen, mit der linken Hand das rechte Knie erfassen. Das Knie beim Übergriff des Armes zur Brust ziehen (4 – 8 mal auf einer Seite wiederholen, danach wechseln).



BAUCHMUSKELTRAINING, KNIEND, STUFE 1-2

10 Wiederholungen

Federn: 0 – 2

Fußbügel: kein / Schlaufen: kein

Schwerpunkt der Übung

- » **Atmung:** Beim Anziehen der Knie ausatmen, zur Rückkehr in die Ausgangsposition einatmen
- » Beckenstabilität
- » Stärkung der Bauchmuskulatur
- » Beckenstabilität
- » Stabilität der Schulterblätter

Vorsicht bei:

Schulter-, Ellenbogen- und Handgelenksproblemen, Unvermögen sich hinzuknien

Vorgaben:

Auf „allen Vieren“ (auf Knien und Händen abgestützt) mit durchhängendem Rücken (Hohlkreuz) auf der Matte (Bauchmuskelübung „schwängere Katze“)

Ausgangsposition

Auf allen Vieren kniend mit Blick zu den Riemen und den Händen an den Rahmenkanten

Standardübung (flacher Rücken)

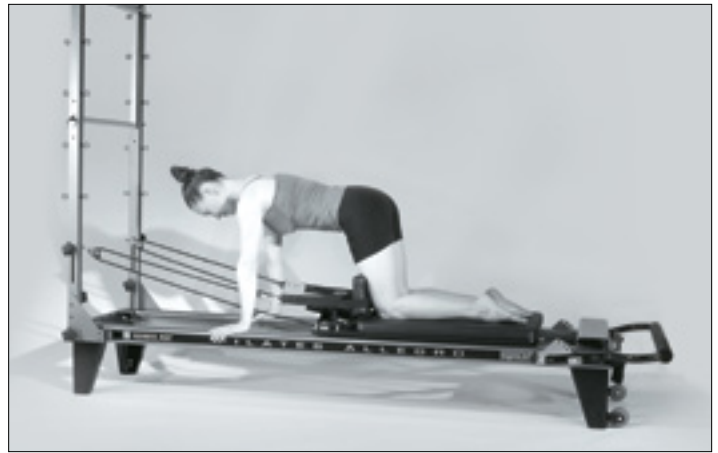
Die Knie sind gegen die Schulterstützen gedrückt und der Blick ist zu den Riemen gerichtet. Die Wirbelsäule in neutraler Position parallel zum Boden halten. Den Schlitten durch Beugen der Hüften in Richtung Kopf ziehen.

Variante – Schräg 1

Beide Hände so auf den Rahmen legen, dass der Rumpf seitlich gebeugt und gedreht werden kann während die Hüften so starr wie möglich bleiben. Beiden Beine bei immer größer werdenden Rumpfbewegungen heranziehen.

Variante – Einbeinig 1

Ein Bein vom Schlitten abheben und hinter die Kniekehle des anderen Beines legen, Schultern dabei so starr wie möglich halten. Bein bei gerader Rückenposition ranziehen



Ausgangsposition, mit Blick auf die Riemen



Gerader Rücken



Schiefe Variante 1

FÜSSE IN DEN RIEMEN, STUFE 1

6 Wiederholungen

Einstellung: 2 Federn

Fußbügel: beliebig / **Schlaufen:** normal

Schwerpunkt der Übung

- » **Atmung:** Ausatmen beim Strecken / Einatmen beim Beugen, oder Einatmen beim Strecken / Ausatmen beim Beugen
- » Wirbelsäule ist auf der Matte oder in neutraler Position
- » Eingezogene Bauchmuskulatur
- » Stärkung der Bauchmuskulatur
- » Beckenstabilität
- » Stärkung der Kniesehnen, Adduktoren und der Gesäßmuskulatur
- » Beweglichkeit der Kniesehnen und der Adduktoren
- » Bein- und Hüftausrichtung
- » Bewegungsspielraum der Hüfte

Vorsicht bei:

Verletzungen des Hüftbeugemuskels, eingeschränkter Beweglichkeit der Kniesehnen, Rückenverletzungen, schwacher Bauchmuskulatur

Vorgaben:

Adäquate Beweglichkeit der Kniesehne, Fähigkeit den Rücken zu stabilisieren, „Hundreds“

Ausgangsposition

In Rückenlage auf dem Schlitten, Fußsohlenbögen in den Schlaufen

Beinsenker

Die Hüften liegen stabil. Zu Beginn sind die inneren Schenkelpartien geschlossen. Beine anheben und absenken.

Varianten: Beine parallel, aus- oder eingedreht im Magic circle oder mit Ball zwischen den Beinen.

Beinschere

Die Hüften liegen stabil und die inneren Schenkelpartien sind zu Beginn geschlossen. Beine zur Seite hin spreizen und wieder zusammenführen.

Varianten: Die Beine bleiben oberhalb der Hüften, bei der Schlittenbewegung bewegen sich die Beine in Richtung Fußbügel (V).

Beinkreisen

Die Hüften liegen stabil und die inneren Schenkelpartien sind zu Beginn geschlossen. Beine kreis- oder D-förmig abwärts bewegen, danach in entgegengesetzter Richtung durchführen.

Varianten: Beine parallel, aus- oder eingedreht, oder mit den Knien in den Riemen



BOX LANG- ARMÜBUNGEN, STUFE 1

4 – 8 Wiederholungen

Federn: 1 – 2 Federn

Box: längs

Schlaufen: normal / Fußbügel: unten oder ganz ohne
Schwerpunkt der Übung

- » **Atmung:** beim Heranziehen einatmen, beim Entspannen ausatmen
- » Hüftknochen auf der Matte
- » Eingezogene Bauchmuskulatur
- » Stärkung des Trizeps, Latissimus, unteren Trapezius und oberen Rückenbereichs
- » Kopf in geradliniger Haltung
- » Platzierung des Schulterblattes
- » **Bein:** und Rumpfausrichtung

Vorsicht bei:

Schulter-, Ellenbogen- und Handgelenksverletzungen, Rückenbeschwerden

Vorgaben:

Fähigkeit nach vorne übergeneigt zu liegen.

Ziehen der Seile/Riemen (Stufe 1 und 2)

Ausgangsposition

Nach vorne übergeneigt auf dem längs platzierten Kasten liegen. Dabei liegt die Brust noch vor der vorderen Kante des Kastens. Fußbügel ist abgeklappt. Blick zu den Seilen. Seile fest umfasst.

Abwärtsbewegung der Arme

Seile entlang der Schlittenkanten in Richtung Hüften ziehen.

Arme auswärts

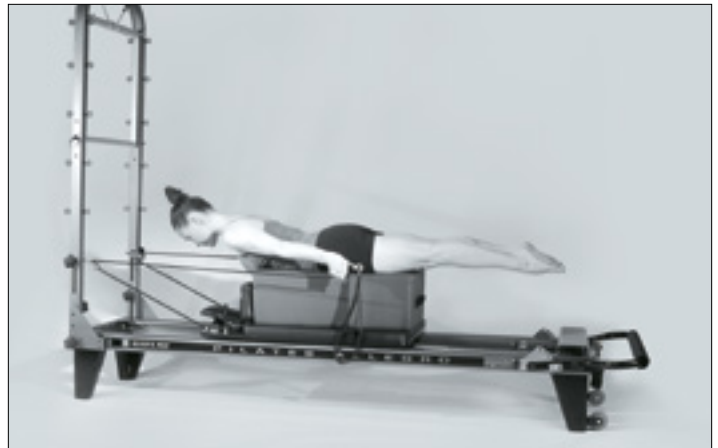
Seile mit nach außen gestreckten Armen in Richtung Hüften ziehen

Anhebung des Oberkörpers

Seile entlang der Schlittenkanten ziehen und dabei den Oberkörper aufrichten.

Trizepsdrücken

Seile entlang der Schlittenkanten ziehen, Ellenbogen an der gleichen Stelle halten und dabei beugen und strecken.



Ziehen der Riemen/Seile



Ziehen der Riemen/Seile mit Anhebung des Oberkörpers

COBRA, (STUFE 2)

Ausgangsposition:

Nach vorne übergeneigt auf dem längs platzierten Kasten liegen. Gesicht zeigt in Richtung Fußbügel (mittig oder unten). Hände umfassen den Bügel.

Arme durchdrücken. Dann die Arme in Richtung Bügel einknicken und danach wieder hochdrücken. Den Rumpf dabei wieder so hochdrücken, bis er gerade ist. Ellenbogen beugen.



Cobra

BOX KURZ – BAUCHMUSKELÜBUNGEN, ALLE STUFEN

6 Wiederholungen

Federn: 4 – 5

Box: quergelegt (kurz) / Riemen: Fußriemen

Stab in der Hand

Schwerpunkt der Übung

- » **Atmung:** einatmen/vorwärts, ausatmen/rückwärts, oder umgekehrt
- » Stärkung der Bauchmuskulatur
- » Eingezogene Bauchmuskulatur
- » Stärkung des Rückens
- » Beweglichkeit des Rückens

Vorsicht bei:

Rücken-, Hals-, und Schulterverletzungen, Osteoporose

Vorgaben:

Reformer Streitwagen-Übung, Cadillac Abrollübung des Rückens

Ausgangsposition

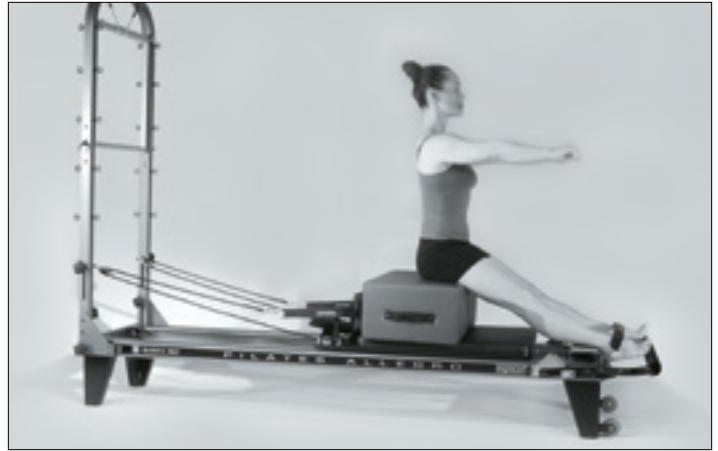
Sitzend auf dem Querkasten mit Blick zum Fußbügel. Füße sind unter den Fußriemen. Die Knie sind leicht gebeugt.

Standardübung

In einem großen Bogen nach hinten lehnen und wieder aufrichten.

Schiefe Variante

In einem großen Bogen nach hinten lehnen, Rumpf zu jeder Seite hin drehen und wieder aufrichten.



BECKENLIFT, STUFE 2

6 Wiederholungen Federn: 2 – 3

Kopfstütze: unten

Schwerpunkt der Übung

- » **Atmung:** ausatmen/aufwärts, einatmen/abwärts, ausatmen/vorgleiten, einatmen/zurückgleiten
- » Stärkung der Kniesehnen und der Gesäßmuskulatur
- » Eingezogene Bauchmuskulatur
- » Beckenstabilität
- » Beweglichkeit der Wirbelsäule

Vorsicht bei:

Rückenproblemen, eingeschränkter Beweglichkeit der Knie, eingeschränktes Aufrichtvermögen mit Halswirbelproblemen.

Vorgaben:

Beckendrucker auf der Matte

Ausgangsposition

Flach auf dem Rücken liegend. Fußballen oder Fersen sind auf dem Fußbügel. Beine sind parallel oder die Füße haben eine V-Form. Die Hüften sind nach außen gedreht.

Standardübung

Becken vom Schlitten abheben. Zurückdrücken. Hüften bleiben dabei auf einer Höhe. Schlitten zurückschieben. Hüften absetzen.

Beinpositionen

Beine parallel, Fersen unter den Gesäßknochen

Beine parallel mit geschlossenen inneren Schenkelpartien

Beine sind in der Pilates-V-Position mit geschlossenen Fersen

Fersen rahmenbreit auseinander und nach außen gedrehten Hüften



ARMÜBUNGEN, STUFE 1 - 2

4 – 10 Wiederholungen

Federn: 1-2 Box: längs, quer oder keine

Schlaufen: sehr kurz, kurz oder normal

Schwerpunkt der Übung

- » **Atmung:** beim Heranziehen einatmen, beim Entspannen ausatmen
- » Stärkung des Bizeps, Trizeps, Pectoralis und Deltamuskels
- » Stabilisierung der Schulterblätter
- » Stabilisierung der Rumpfes
- » Sitzhaltung

Vorsicht bei:

Handgelenks-, Arm- oder Schulterproblemen, Rückenproblemen mit eingeschränkter Sitzfähigkeit

Vorgaben:

keine

Sitzvarianten für alle Übungen

Auf dem Schlitten sitzend, Beine überkreuzt, Beine gerade oder kniend mit dem Gesäß auf den Füßen

Übungen mit Blick zu den Seilen

Bizeps

Die ganz kurzen Schlaufen festhalten, Ellenbogen beugen um die Seile zu den Schultern zu ziehen.

Trizeps / hinterer Deltamuskel

Schlaufen in den Händen halten. Die Arme sind gerade. Die Seile bis auf Höhe der Hüften ziehen und die Arme im Takt zurückschwingen lassen.

Ein Tablett reichen

Mit Blick zum Fußbügel hinsetzen. Die normalen Schlaufen in den Händen halten. Der Ellenbogen ist gebeugt. Nun nach vorne greifen, Arme strecken, Arme seitlich mit den Handflächen nach oben zeigend öffnen und zurückführen.

Einen Baum umarmen

Mit Blick zum Fußbügel hinsetzen. Die normalen Schlaufen in den Händen halten. Die Arme zur Seite bewegen. Der Ellenbogen ist entspannt. Die Arme so führen, dass sich die Finger-spitzen berührt



Bizeps



Ein Tablett reichen



Trizeps



Einen Baum umarmen

STEHEN, STUFE 1 - 3

8 Wiederholungen

Federn: 0 – 1 Feder

Standfläche

Schwerpunkt der Übung

- » **Atmung:** ausatmen/ spreizen, einatmen/ zusammenführen
- » Stärkung der Adduktoren und der Abduktoren
- » Eingezogene Bauchmuskulatur
- » Standausrichtung
- » Gleichgewicht

Vorsicht bei:

Gleichgewichtsproblemen

Vorgaben:

keine

Ausgangsposition

Ein Fuß steht auf dem Rahmen oder auf der Standfläche während der andere Fuß auf dem Schlitten steht.

Der Blick ist zu den parallel zum Reformer befindlichen Seitenwänden gerichtet Ein Fuß steht auf dem Rahmen und der andere steht auf dem Schlitten. Für die parallel durchzuführende Übung den Rahmen nutzen .Die Standfläche für die Übung mit den Drehungen nach außen nutzen.

Standardübung

Beine spreizen, und wieder zusammenführen

Der Blick ist dabei seitlich zum Reformer gerichtet.

Beinpositionen, Variationen

Beine gerade, parallel, ausgedreht

Beine gebeugt, parallel, ausgedreht



Allegro® Tower ÜBUNGEN

DEFINITION DER BEGRIFFE FÜR DEN ÜBUNGSaufbau

- » **Stufe:** Zur Durchführung der Übungen benötigtes Fachwissen:
- » **Wiederholungen:** gibt an, wie oft ein bestimmter Bewegungsablauf durchgeführt wird.
- » **Federn:** Anzahl und Befestigungsposition der Federn am Trapeze Table
- » **Schlaufen:** gibt an, welche Schlaufen für eine Übung verwendet werden sollen.*
- » **Schwerpunkt der Übung:** gibt an, worauf bei einer Übung besonderes Augenmerk gelegt wird.
- » **Ausgangsposition:** gibt an, wo und wie eine Übung am
- » **Vorgaben:** Spezielle Übungen, die vor Durchführung einer
- » **neuen Übung gemeistert werden müssen.**
- » **Ausgangsposition:** gibt an, wo und wie eine Übung am
- » **Reformer begonnen wird.**
- » * falls anwendbar

ROLL BACKS, STUFE 1

6 – 10 Wiederholungen

Federn: 2 lange gelbe oder 2 kurze gelbe Federn sind aus einer hohen Position angebracht.

Rollback-Stange oder -Griffe

Schwerpunkt der Übung

- » **Atmung:** ausatmen/zurücklehnen, einatmen/im Liegen,
- » ausatmen/aufrichten
- » Ausgleich zwischen den Bauchmuskeln und den
- » Lendenstreckmuskeln
- » Nacken und Schultern entspannt
- » C-Biegung beibehalten
- » Entspannte Hüftbeugemuskeln

Vorsicht bei:

Schulter- und Halsproblemen, einigen Problemen im unteren Rückenbereich, Osteoporose

Ausgangsposition

Mit Blick auf die offene Cadillac-Stirnseite hinsetzen und am Bügel oder den Griffen festhalten. Die Knie sind entspannt, die Füße liegen an den Metallbügeln an.

Standardübung

Den Bügel mit gerader Armhaltung festhalten, nach hinten lehnen, Rücken durchbiegen und angehoben lassen. Dann aufrichten und dabei eine leichte Beugung der Wirbelsäule beibehalten.

Schräge Variante

Holzstange (Wasserski fahren)

Diagonal auf dem Tisch sitzen. Den linken Fuß gegen den senkrechten Pfosten legen, den rechten Fuß über das linke Fußgelenk legen. Die linke Hand erfasst die Holzstange und der rechte Arm greift weit nach außen während der Rumpf nach

rechts gedreht wird. In dieser Haltung zurücklehnen, danach Seiten wechseln.



Roll Backs



Wasserski fahren

FÜSSE IN DEN RIEMEN, STUFE 1

6 – 10 Wiederholungen

Federn: Lange Federn an der mittleren, oberen oder Über-Kopf- Befestigungsposition
Schlaufen oder Klettverschluss um die Fußgelenke oder Fußsohlenbögen

Schwerpunkt der Übung

- » **Atmung:** Ausatmen beim Strecken / Einatmen beim Beugen,
- » oder Einatmen beim Strecken / Ausatmen beim Beugen
- » Neutrale Wirbelsäulenstellung
- » Eingezogene Bauchmuskulatur
- » Beckenstabilität
- » Stärkung der Kniesehnen, Adduktoren und der Gesäßmuskulatur
- » Beweglichkeit der Kniesehnen und der Adduktoren
- » Ausrichtung der Beine

Vorsicht bei:

Rückenverletzungen, einigen Knieverletzungen und Zerrungen der Kniesehnen

Ausgangsposition

In Rückenlage mit Kopf in Richtung auf das Half Trapeze liegen, Füße in den Schlaufen. Die Klettverschlussbänder sind um die Fußgelenke (mit am Über-Kopf-Bügel befestigten

Federn) oder die Schlaufen sind um die Fußsohlen (mit in mittlerer oder oberer Position befestigten Federn) gelegt.

Beinsenker

Die Klettbänder oder Schlaufen sind um beide Beine befestigt und die inneren Oberschenkelpartien sind geschlossen. Senken Sie nun die Beine in Richtung Tisch und halten Sie dabei Ihr Becken stabil.

Varianten: parallel, ausgedreht, eingedreht, mit einem Magic Circle oder Ball zwischen den Beinen.

Beinkreisen

Beinkreisen in beide Richtungen mit beiden Füßen in den Schlaufen, dabei Becken stabil halten.

Varianten: parallel, ausgedreht, eingedreht

Beinschere

Mit beiden Füßen in den Schlaufen die Beine zum Tisch absenken, dann Beine öffnen und schließen, dabei Becken stabil halten.

Varianten: parallel, ausgedreht, eingedreht

Gehen

Mit beiden Füßen in den Schlaufen abwechselnd ein Bein und dann das andere zum Tisch absenken, dabei Becken stabil halten.

Varianten: parallel, ausgedreht, eingedreht



Beinsenker



Beinkreisen



Gehen (mittlere Federposition)



FÜSSE IN DEN GURTEN, SEITENLAGE – ADDUKTOR-ZUGÜBUNG, STUFE 1-3

6 – 10 Wiederholungen

Federn: Lange Federn sind aus einer mittleren Position angebracht.

Fußgewölbe in den Schlaufen

Das untere Bein befindet sich unterhalb des Trapeze Table Riemens

Schwerpunkt der Übung

- » **Atmung:** ausatmen/ Bein absenken, einatmen/ Bein abspreizen
- » Richtige Seitenlage (Taille zeigt nach oben, Hüften und Schultern bilden eine Linie)
- » Eingezogene Bauchmuskulatur
- » Beckenstabilität, und das Bein bewegt sich unabhängig von der Hüfte
- » Stärkung der Adduktoren, des mittleren Kniesehen und der nach außen gerichteten Drehbewegung.



Zusammenziehen der Adduktoren



Vorsicht bei:

einigen Rückenverletzungen, Knieverletzungen und bei labilem Sakroiliakgelenk.

Ausgangsposition

Legen Sie sich im Allegro Tower auf die Seite, den Rücken parallel zur hinteren Kante der Matte und die Beine leicht nach vorne positioniert.

Stützen Sie den Körper durch Festhalten an der senkrechten Stange oder durch Ablegen des Kopfes auf den Arm ab.



Front-Back-Kicks



Legen Sie die Schlaufe um das Fußgewölbe.

Standardübung

Ziehen Sie das obere Bein zum unteren Bein herunter.

Behalten Sie die korrekte Position in Seitenlage bei

Varianten: parallel, ausgedreht (größere Bewegungsfreiheit), eingedreht

Ovale Bewegung

Korrekte Lage beibehalten; Bewegen Sie das obere Bein in

kleinen Kreisbewegungen vorwärts und rückwärts.

Varianten: parallel, ausgedreht, eingedreht

Front-Back-Kicks

Korrekte Lage beibehalten; Schwingen Sie das obere Bein

vorwärts und zurück (wie bei den Side Kicks auf der Matte).

Varianten: parallel, ausgedreht, eingedreht

FUSS- UND BEINÜBUNGEN, STUFE 1

10 Wiederholungen

Federn: 2 lange violette Federn sind von der Unterseite her an der Push-Through-Stange angebracht.

Schwerpunkt der Übung

- » **Atmung:** beim Wegdrücken einatmen, beim Heranziehen ausatmen
- » Wirbelsäule ist auf der Matte oder in neutraler Position
- » Bein-, Fugelenk- und Fußausrichtung
- » Beweglichkeit der Wade und der Harmstring-Muskelgruppe
- » Stärkung der Füße, Fußgelenke und Unterschenkel

Vorsicht bei:

Rücken- und Knieverletzungen

Lagen und Fußsohlendehnungen

Ausgangsposition

In Rückenlage auf dem Allegro Tower mit den Füßen auf der Push-Through-Stange liegen; Federn von niedrigerer Position aus an der Push-Through-Stange angebracht.

Pliés

Varianten der Fußposition: Fersen, Zehen

Varianten der Beinhaltung: Parallel, ausgedreht; V-förmige Fußhaltung, breitbeinige 2. Position, Einbeinig

Plié / Relevé

Begeben Sie sich in Rückenlage. Die Durchdrückstange ist auf gleicher Höhe mit dem hinteren Hüftknick. Die Hüften sind angespannt, die Knie gebeugt. Der Mittelfuß oder die Zehen sind dabei an der Stange.

Drücken Sie die Stange durch Durchdrücken der Knie nach oben zur Decke. Ziehen Sie die Fußspitzen nach hinten und drücken Sie diese wieder nach vorne.

Varianten: parallel, ausgedreht, einbeinig

Flexion der Fußsohle

Begeben Sie sich in Rückenlage. Die Durchdrückstange ist auf gleicher Höhe mit dem hinteren Hüftknick. Die Beine sind durchgedrückt. Der Mittelfuß oder die Zehen sind dabei an der Stange. Ziehen Sie die Fußspitzen nach hinten und drücken Sie diese wieder nach vorne.

Varianten: parallel, ausgedreht, einbeinig, Laufen auf der Stelle



Pliés



Flexion der Fußsohle

PUSH THROUGH, SITZEND, STUFE 1

6 Wiederholungen

Federn: 1 kurze rote Feder ist von oben an der Push-Through-Stange angebracht.

Schwerpunkt der Übung

Atmung

- » ausatmen/dabei vorbeugen, einatmen/dabei
- » aufrichten, oder umgekehrt
- » Beugung und Streckung der Wirbelsäule
- » Beweglichkeit der Kniesehnen
- » Stabilität/Beweglichkeit der Schulterblätter
- » Einziehen/ Anheben der Bauchmuskulatur
- » Koordination der Atmung mit der Beweglichkeit der Wirbelsäule

Vorsicht bei:

einigen Rückenverletzungen, Schulterverletzungen

Vorgaben:

Dehnübungen der Wirbelsäule auf der Matte

Ausgangsposition

Setzen Sie sich auf den Tisch mit Blick zur Turm-Stirnseite. Die Füße sind dabei gegen die senkrechten Stangen gedrückt. Beide Hände umfassen die Durchdrückstange (die Knie können je nach Beweglichkeit eingeknickt oder durchgestreckt sein).

Standardübung

Drücken Sie die Stange nach unten. Beugen sie mit dem Kopf beginnend die Wirbelsäule vor. Drücken Sie die Stange weit vor und halten Sie diese Dehnposition.

Richten Sie sich Wirbel für Wirbel durch Herausdrücken der Buchmuskeln auf, bis Sie wieder aufrecht auf den Gesäßknochen sitzen.

Drücken Sie die Stange nach oben und lehnen Sie sich über die Hüften mit geradem Rücken nach vorne bevor Sie erneut beginnen.



KATZE, STUFE 3

4 Wiederholungen

Federn: 2, von oben mit der Durchdrückstange verbundene, kurze Federn
Schwerpunkt der Übung

Atmung

- » ausatmen/vorbeugen, einatmen/wegdrücken,
- » ausatmen/zurückziehen, einatmen/aufrichten
- » Beweglichkeit der Wirbelsäule
- » Stabilität/Beweglichkeit der Schulterblätter
- » Einziehen/ Anheben der Bauchmuskulatur
- » Koordination der Atmung bei völliger Beweglichkeit der Wirbelsäule

Vorsicht bei:

Rückenverletzungen, Schulterverletzungen, Knieverletzungen
und Osteoporose

Vorgaben:

Dehnübungen „Katze“ und „Kamel“ auf der Matte

Ausgangsposition

Knien Sie sich auf den Tisch. Die Hände umfassen die nah zum Körper gezogene Durchdrückstange.

Standardübung

Drücken Sie die Stange herunter und beugen Sie mit dem Kopf

beginnend die Wirbelsäule nach vorne. Drücken Sie die Stange von sich weg, sobald die Wirbelsäule unter Spannung kommt. Bringen Sie sich durch Einziehen der Bauchmuskeln und Aufrollen der Wirbelsäule unter Spannung, bevor Sie sich Wirbel für Wirbel wieder in die Ausgangsposition begeben (lassen Sie dabei die Hüften so weit wie möglich nach vorne über die Knie gedrückt).



KREISSÄGE, STUFE 2

4 Wiederholungen

Federn: 2 kurze gelbe Federn sind von oben an der Push-Through-Stange angebracht.

Schwerpunkt der Übung

Atmung

- » -ausatmen/ dehnen, einatmen um nach außen zu kreisen; ausatmen bei Erreichen des äußeren Punktes; einatmen/ nach innen zurückkreisen
- » Beweglichkeit der Wirbelsäule bei Kreisbewegung
- » Stabilität/Beweglichkeit der Schulterblätter
- » Einziehen/ Anheben der Bauchmuskulatur
- » Koordination der Atmung bei völliger Beweglichkeit der Wirbelsäule

Vorsicht bei:

einigen Rückenverletzungen, Schulterverletzungen

Vorgaben:

„Säge“ auf der Matte

Ausgangsposition

Setzen Sie sich auf den Tisch mit Blick zur Turm-Stirnseite. Die Füße sind dabei gegen die senkrechten Stangen gedrückt. Rechte Hand drückt die Durchdrückstange nach oben, linke Hand greift über zum rechten Fuß.

Standardübung

Die linke Hand geht zum linken Fuß und beschreibt von dort einen großen Bogen nach außen und wieder zurück. Dabei legt sich der Rumpf nach hinten während die Hebung der Bauchmuskeln und die aufrechte Haltung des Rumpfes so

lange erhalten bleibt, bis die linke Hand über den rechten Arm hinweg zum rechten Fuß greift.

Umkehrung des Kreises

Führen 4 Wiederholungen für jeden Arm durch. Lassen Sie die Gesäßknochen fest auf der Matte angedrückt um die Beckenstabilität zu gewährleisten (oder heben Sie einen Gesäßknochen leicht an, um die Dehnung zu vergrößern).



ZWEIARMIGE ÜBUNG IM SITZEN, STUFE 1 - 2

4 – 10 Wiederholungen

Federn: 1 - 2 kurze rote Federn sind von einer hohen Position aus an der Push-Through-Stange angebracht.

Rundholzstab oder gepolsterter Stock

Schwerpunkt der Übung

Atmung

- » beim Heranziehen einatmen, beim Entspannen
- » ausatmen, oder umgekehrt
- » Stabilität/Beweglichkeit der Schulterblätter
- » Schultern sind unten
- » Eingezogene Bauchmuskulatur
- » Gleichgewicht auf den Gesäßknochen

Vorsicht bei:

Schulterverletzungen, Übung bei straffen Adduktoren anpassen

Ausgangsposition

In Grätschstellung zum Half Trapeze gerichtet stehen, Hände auf der Push-Through-Stange platzieren oder im Schneidersitz im Rahmen der Push-Through-Stange sitzen. Übung kann auch außerhalb des Reformer stehend mit Blickrichtung auf das Half Trapeze ausgeführt werden.

PULL DOWNS MIT STOCK

Halten Sie den Rundholzstab oder den gepolsterten Stock jeweils ganz außen fest. Die Handflächen zeigen dabei zu Ihnen.

Ziehen Sie ihn zu sich herunter. Der Schwerpunkt liegt hierbei auf einem entspannten Hals und entspannter oberer Schulterpartie.

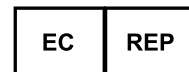
Führen Sie den Stab wieder in die Ausgangsposition ohne dabei die Schultern anzuheben.



Pull downs mit Stock

Balanced Body Allegro® Reformer Allegro® Tower System

Englisch: ab Seite 1
Spanisch: ab Seite 50
Italienisch: ab Seite 103
Französisch: ab Seite 156
Deutsch: ab Seite 206
Chinesisch: ab Seite 259



EMERGO EUROPE
Prinsessegracht 20
2514 AP The Hague
The Netherlands



重要事项:

本手册适用于医疗和健身专业人士, 或有使用此设备经验的人员。如果对特定运动的适当性存在疑问, 请咨询持有执照的健康专业人士。

安全注意事项: 警告 - Allegro 含有易燃材料, 请远离直接加热/明火。

简介

Allegro 系统旨在将 Allegro Reformer 和 Tower 或 Half Trapeze 的功能组合成一个紧凑且便携的普拉提设备。Allegro Tower 可安装在任何 Allegro 上, 并可以在不增加设备占地面积的情况下进行额外的练习。以下手册概述了 Allegro Reformer 和 Allegro Tower 的功能以及建议的练习。

Balanced Body 是普拉提设备、教育和信息的世界领先资源。Balanced Body Studio Reformer 是全球最畅销的 Reformer, 它的 Allegro Reformer 现在为全球的健康和健身俱乐部设定了普拉提标准。

设置提示 (请首先阅读)

- » 如果您要设置没有 Leg Kit 的 Allegro Reformer, 请从第9页开始继续执行这些 Reformer 指导。
- » 如果您要设置带有 Leg Kit 的 Allegro Reformer, 请首先安装支腿, 见第13页, 然后从第9页开始设置 Reformer。
- » 如果您要设置带有 Tower System 但没有 Leg Kit 的 Allegro Reformer, 请按照第9页的 Reformer 说明进行操作, 然后继续第17页的 Tower System 部分。
- » 如果您要设置带有 Tower System 和 Leg Kit 的 Allegro Reformer, 请首先安装 Leg Kit, 见第13页, 接着是第17页的 Tower, 然后是第9页的 Reformer。为了节省时间, 请不要重新安装 Leg Kit 安装说明结尾所述的头端导轨盖板。您将需要它们来安装 Tower。
- » 如果您要设置 Allegro Stretch Reformer, 请见第22页。有关 Allegro Stretch 脚杆功能, 请参阅第25页。

Balanced Body® Allegro® System的功能

头枕

头枕用于在仰卧位置时最佳地支撑使用者的头部、颈部和肩部。Allegro有三个头枕位置，由头枕下方的支撑块调节：

- » 低(平) - 支撑块朝向头枕顶部折叠。用于拥有相对平坦的胸椎和浅肋骨的客户做腿部和步法运动，以及任何仰卧运动。
- » 安全注意事项: 平放头枕位置适用于所有需要在练习中上卷至肩部的客户。平放头枕可防止客户过度弯曲颈椎及伤及颈部。
- » 中 - 支撑块位于支撑块中间的凹口上。
- » 高(上) - 支撑块的底部放在滑床上。用于头部前倾或拥有深肋骨的客户，以便于正确对齐。

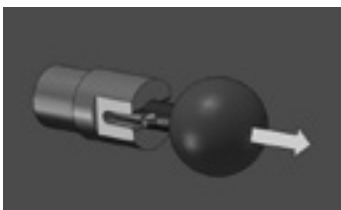
教练注意事项: 也可以使用毛巾增加头枕的厚度，或代替头枕来调节头部的高度。

轻松使用柱塞锁定旋钮

Balanced Body的Allegro® Reformer及Clinical Reformer®和Studio Reformer® (带有Infinity脚杆) 拥有柱塞锁定旋钮，可以更轻松地沿着框架调整和移动Reformer脚杆。

使用时，将柱塞旋钮直接拉出，使凹进的十字销从槽中伸出，如图A所示。然后旋转旋钮，使十字销钉放在螺栓头上，如图B所示。在另一边重复此操作。

当旋钮处于“锁定”位置时，请根据需要沿着Reformer的框架重新定位脚杆。然后转动旋钮，使十字销再次凹入，将脚杆牢牢锁定在新位置。



图A



图B

水平脚杆调整

Allegro配备可调节的脚杆，可以移动以适应不同高度的使用者。要移动脚杆，请将脚杆底部的圆形黑色旋钮拉出并旋转90度以锁定。向前或向后滑动脚杆，直到它与轨道上所需的孔对齐。旋转旋钮，直到销钉插入孔中。请确保销钉完全啮合。

- » 孔1最靠近Reformer的脚杆底端，并形成了肩托和脚杆之间的最长距离。它适用于较高的使用者(身高超过6英尺，或需要减少膝关节和髋关节屈曲)。
- » 孔2适用于身高5英尺9英寸到6英尺之间的使用者
- » 孔3适用于身高5英尺5英寸到5英尺9英寸之间的使用者
- » 孔4适用于身高4英尺10英寸到5英尺5英寸之间的使用者

这里给出的高度是建议高度。脚杆调整应允许使用者在滑床完全用于腿部和步法时具有略小于90°的髋部屈曲。

垂直脚杆调整

要垂直调整脚杆，请挤压脚杆底部的手柄，直到销钉从板上脱离。将脚杆移动到所需高度，然后将销钉放入孔中。

- » 高踏板 - 将销钉移入最高的孔中并松开手柄。高踏板位置缩短了肩托和脚杆之间的空间。此位置用于较矮的使用者，以及由于腰椎前凸增加或背部紧张而难以保持背部位置的使用者的脚部和步法。
- » 中踏板 - 将销钉放在板顶部的第二个孔中。中踏板位置延长了肩托和脚杆之间的空间。这减少了膝盖在脚步和步法的屈曲，并将躯干置于中立的站立位置。
- » 低踏板 - 将销钉放在板上的第3个孔中。低踏板位置将肩托和脚杆之间的空间增加到其最大长度。这减少了膝盖在脚步和步法的屈曲，减少了elephant (大象式) 动作的躯干和臀部的屈曲，并且可以用于更高或更灵活的使用者。
- » 无踏板 - 将销钉放在板上最低的孔中。此位置用于将踏板移开以进行站立练习和使用者躺在箱子上的练习。

弹簧调整

弹簧用于调整不同运动的阻力。Allegro上至少有30种不同的阻力设置可供使用。每项练习都注释了建议的体重范围。

更改弹簧附加装置点

在Allegro上，您可以通过将不同的弹簧组合连接到站立平台下方的挂钩上来调节弹簧的张力。要安全地调整弹簧，请确保滑床处于原位。

- » 正常位置 - 将弹簧直接放在挂钩前面。在这个位置, 弹簧开始时没有张力。这被指定为“B”位置。有五个B位置。
- » 预加载位置 - 将弹簧放在靠近右侧的挂钩上, 站立平台下方。这个位置会使弹簧承受少量的张力, 并增加弹簧的阻力。这被指定为“A”位置。有六个A位置。

弹簧重量

弹簧阻力由特定运动建议的弹簧的近似数量指示。指示的弹簧重量是推荐的起始位置。可以根据使用者需求和练习进行单独调整。

- » 1个弹簧 (轻负荷) : 主要用于手臂锻炼或滑床提供轻型支撑
- » 2个弹簧 (轻负荷到中负荷) : 用于手臂锻炼、腿部运动和滑床为使用者提供支撑的锻炼。
- » 2至4个弹簧 (中负荷到重负荷) : 主要用于腿部锻炼并增加对强壮使用者的阻力。
- » 全部弹簧: 用于最大限度地提供阻力或在短箱腹部锻炼系列中稳定滑床。
- » 不用弹簧: 用于在使用者需要控制滑床 (kneeling abdominals (跪姿腹部锻炼)、elephant (大象式)、long stretch (长拉伸) 系列) 的练习中增加难度。

ALLEGRO的弹簧级数

请注意, 这些弹簧组合代表了标准新机器的通常级数, 并且可能会根据弹簧的使用时间和特定强度而略有不同。找到您机器的最理想级数的最佳方法是自己测试。

弹簧颜色编码

这些颜色代码是Balanced Body机器的标准配置

黄色 - 非常轻	蓝色 - 轻
红色 - 中	绿色 - 重

绳索和圈

绳索要根据具体的运动需求和使用者的身材进行调整。为了最大限度地减少调整绳索, 双环带可以让使用者以两种不同的长度抓住绳索而无需调整它们。

手册中使用的绳索调整为:

- » 常规圈: 环或手柄的阻力在肩托上有些绷紧。使用双环带, 使用者将握住较长的环。这是大多数练习的标准。
- » 短圈: 环或手柄的阻力在黑色挂钩上有些绷紧。使用双环手柄, 使用者可以握住较小的环。这用于划船和一些手臂练习运动。
- » 非常短的圈: 环或手柄比头枕短约5英寸。这用于面向带子的跪姿练习, 如胸部扩张或大腿伸展。
- » 长圈: 环或手柄的长度比肩托长一个棉环。这用于长脊椎伸展或用于吊带的中的脚部, 适用于腘绳肌较紧的使用者。

提升器

可以通过松开将滑轮固定在Tower框架上的滑轮上并向上或向下移动滑轮来调节提升器。

ALLEGRO TOWER

Allegro Tower由一个连接到Allegro Reformer的头部的金属框架组成。框架中的吊环螺栓为弹簧提供连接点。环、把手或木制滚动杆可以连接到弹簧,进行各种各样的练习。Allegro Tower也有一个推杆。

弹簧连接点

Allegro Tower有24个弹簧连接点,可以进行各种可能的练习和无限量的可调节性。每个立柱前部有5个吊环螺栓,背部有5个吊环螺栓,使用者可以从Tower的两侧进行锻炼。Allegro框架上连接着两个吊环螺栓,可以形成一个低位,两个吊环螺栓固定在Tower拱的两侧,另一个安装在中心的最高点。这个单吊环螺栓用于将安全带固定到位。请勿将弹簧连接到此吊环螺栓上。常见的弹簧连接点列在下面和每个练习的说明中。

要调整特定客户的弹簧张力,请将连接点移远客户以使弹簧更重,将其移近客户以使其更轻。

低: 弹簧从Allegro框架底部的吊环螺栓连接。这些弹簧用于将推杆固定到位。

中: 弹簧从底部连接到第三眼钩。

高: 弹簧连接到 Tower顶拱两侧的高点。

ALLEGRO TOWER弹簧

Allegro Tower配有4套弹簧,如下所示:

2套 - 短弹簧

黄色 - 非常轻 蓝色 - 轻

2套 - 长弹簧

黄色 - 非常轻 紫色 - 中

推杆调整

推杆在Tower框架上有两个可能的枢轴点。要调整推杆,请按下T形销钉顶部的按钮以释放销钉。将销钉从立柱中拉出,将推杆移动到适当的孔并重新插入销钉。如果已经移动了推杆,请务必将其返回到安全高度。

安全注意事项:

当推杆处于使用中时,教练在场并盯着客户是非常重要的。非常重要的一点是,枢轴点足够高以在使用者头部位于其下方时不会碰到使用者头部。如果一位客户头部特别大,胸椎后凸过多或鼻子过大,推杆在锻炼时可能会碰到它们。切勿将推杆调低到足以碰到躺在它下面的客户。当推杆从下方弹出时,必须始终使用安全带。必须调整安全带,以便从侧面看时,推杆的角度不低于四点钟或八点钟位置,如果客户的脚从杆上滑落,则不会碰到客户。

外表清洁和消毒。

您可以通过保持外表的清洁,远离污垢、油污和汗水来延长其使用寿命。每次使用后,用温和的肥皂和水溶液擦拭外表。然后用清水擦拭干净,用抹布擦干。

安全第一：普拉提器械适当维护与安全使用指南。

35年来，Balanced Body一直对普拉提器械采用与安全相关的创新技术。我们的许多

改进现已成为行业标准，造就了今天比以往更安全的普拉提器械。

除了器械的品质以外，安全还有赖于正确维护与安全使用。本指南旨在帮助您使用和维护器械，以实现最佳安全性。请仔细阅读全文，并保存本指南以备将来查阅。如果您有任何问题，请致电给我们。**不遵守这些说明可能会造成严重伤害。**

所有器械

弹簧

弹簧检查对保证您的器械处于安全操作状态至关重要。所有Balanced Body弹簧均应至少每两年更换一次。某些环境和使用方式可能会缩短弹簧的预期使用年限，您可能需要更频繁地更换弹簧。因此，定期检查弹簧十分重要，因为磨损或

老旧弹簧会失去弹性，在使用期间可能断裂。如果弹簧在使用期间断裂，则会造成伤害。

使用期间，勿使弹簧以不受控的方式弹回。否则，会损坏弹簧，并缩短其预期使用年限。

每周或每月（取决于使用频率）检查弹簧是否存在间隙和扭结。弹簧处于静止状态时，查找弹簧圈之间的间隙和扭结。弹簧锥形接头通常存在极小的间隙（有时在生产过程中产生的间隙）。

不过，弹簧本体不得存在间隙。如果发现弹簧本体存在任何间隙或扭结，请立即停止使用并更换弹簧。参见图1。此外，弹簧圈上任意位置的磨损均会缩短弹簧的使用年限。如在检查期间发现任何生锈或氧化情况，则应立即停止使用弹簧。

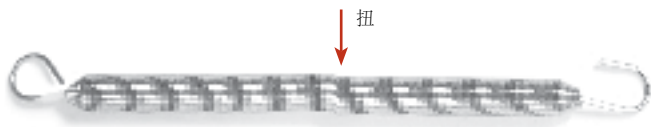


图1

搭扣

检查搭扣是否磨损（每月一次）。首先，检查搭扣挂钩是否工作正常。如果搭扣挂钩没有正常收缩和弹回，则应立即停止使用弹簧并更换搭扣。吊环螺栓可能导致搭扣挂钩过度磨损。

如果挂钩磨损严重，则应立即停止使用弹簧，并致电Balanced Body寻求更换弹簧或搭扣。参见图2。

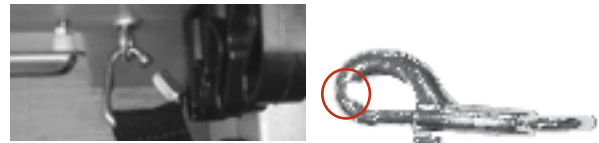


图2：状况良好的搭扣：挂钩没有磨损

状况不好的搭扣：挂钩过度磨损

吊环螺栓、螺母和螺栓

紧固所有器械的螺栓和螺钉（每月一次）。检查所有吊环螺栓、螺母和螺栓是否都处于紧固状态。查看“如何检查并紧固螺母与螺栓”章节。

绳与带

检查绳与带的磨损（每季度一次）。如果您可以通过外衬看到绳芯，或者如果绳子变平，则应该更换绳子。一旦发现任何磨损，就应更换带子。确保检查绳或带连接到搭扣的部分以及穿过轮子的部分。

核心床

检查弹簧杆挂钩或吊环螺栓（每季度一次）。Balanced Body制作了两种不同的弹簧杆系统：

» 旋转弹簧杆。确保弹簧杆挂钩和把手处于紧固状态。

标准弹簧杆。检查固定弹簧杆挂钩的螺母是否处于紧固状态。查看“如何检查并紧固螺母与螺栓”章节。

标准弹簧杆。检查固定弹簧杆挂钩的螺母是否处于紧固状态。查看“如何检查并紧固螺母与螺栓”的章节。

弹簧旋转（每季度一次）。每个季度旋转一次同样重量的弹簧，可以延长核心床的弹簧使用年限。取下挂钩并将其移至弹簧杆上的另一位置。旋转弹簧有助于它们更为均匀地磨损。

弹簧旋转(每季度一次)。每个季度旋转一次同样重量的弹簧,可以延长核心床的弹簧使用年限。取下挂钩并将其移至弹簧杆上的另一位置。旋转弹簧有助于它们更为均匀地磨损。

外部竖管。木质竖管必须安装在框架外部。一段时间后竖管可能会松动,因此始终需要确保它们处于紧固状态。

弹簧在底架向下钩住。确保弹簧向下钩住。

参见图3。

固定滑床。核心床未使用时,务必至少用两个弹簧



图3: 向下钩住的弹簧

将滑床固定于弹簧杆。

默认设置。许多用户都有核心床的“默认设置”。每次练习结束时,用户均会连接处于中等张力下的特定数量的弹簧,将脚踏杆设置到预先确定的高度,将绳子设置到预定的长度。这可确保下次可以随时使用器械,滑床也用弹簧固定。

在工具箱中,脚套处于拉伸状态。使用工具箱和脚套时,务必在开始练习之前使脚套处于拉伸状态



图4: 处于张力下的脚套

(从吊环螺栓顶部拉出搭扣)。参见图4。

核心床轮子和轨道维护

清洁轨道和轮子(每周一次)。为使滑床顺畅滑动及保持轮子的使用年限,我们建议您每周擦拭轨道一次。

断开弹簧连接,使用软布、Balanced Body清洁剂、温和肥皂水或温和商用清洁剂(如Fantastik或409)清洁整个轨道。切勿使用研磨性清洁剂或清洁垫,因为它们可能损坏轨道上的阳极氧化层。若要清洁轮子,在移动滑床的同时将清洁布紧贴轮子。如果您在移动时感觉到颠簸,说明轨道或轮子表面粘有异物。清理轨道上的头发和碎屑。头发可能卷入轮轴,最终堆积起来,导致轮子故障。使用镊子清除

切勿润滑Allegro 2轨道。

检查脚踏杆支架(每季度一次)。对于所有配备脚踏杆支架的Balanced Body脚踏杆,检查连接脚踏杆支架与脚踏杆的枢轴螺钉是否处于紧固状态,但是不要紧固到让支架无法自由旋转。对于Legacy核心床,拧紧枢轴螺栓以固定脚踏杆支架。

检查头垫(每月一次)。确保头垫上的铰链螺钉和螺栓处于紧固状态。

检查核心床下方(每月一次)。移开核心床,确保您将下方的地板清理干净。

站立平台脚踏杆保险杠(仅适用于核心床)。如果您的站立平台脚踏杆保险杠(使站立平台免受脚踏杆影响的

小塑料块)破损

或受损,请致电Balanced Body进行更换

吊架练习床(CADILLAC)与塔架

卸除销钉。这些销钉位于将顶棚和框架对齐的竖管内部,应在

完成安装后立即卸除。未卸除的销钉可能挂破衣物或划伤皮肤。使用钳子

卸下销钉。

保存销钉,以备出于运输目的而需要

拆卸和重新组装练习床之用。参见图5。

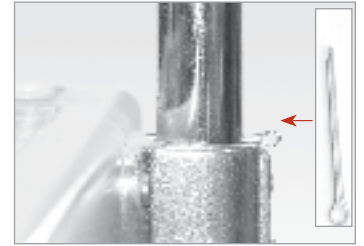


图5: 销钉从练习床

卸除前后。

配有滑块的推杆(PTB)。

PTB可以竖直移动,以适应不同的用户和练习。管上的滑块可以实现这种竖直移动。确保这些滑块干净整洁,易于移动。开始任何练习之前,确保滑块

与PTB孔适当对齐并锁定到位。向下用力予以确认。如果发现滑块旋钮销

轮子上的头发。

润滑。切勿在轮子附近或内部喷涂硅树脂 - 这可能冲掉轴承上的润滑剂并损坏轴承。您可在大多数五金店和汽车零件商店购买干式硅树脂。滑轮有时需要润滑才不会发出吱吱声。

将干式硅树脂或聚四氟乙烯直接快速喷入滑轮。“干式”硅树脂没有油基。油基(“湿式”)硅树脂和WD40吸收灰尘,因此不得使用此类物质。注意请勿过度喷涂。为避免将硅树脂喷在绳上,可能需要将其拆除。

磨损,请致电Balanced Body进行更换。这种情况下使用PTB可能会造成伤害。

对配有滑块的推杆每周维护一次。检查推杆以确保柱塞旋钮中的销钉伸出并锁入垂直管。拉出两个旋钮,并将滑块移至不同位置。在到达下一个孔之前释放旋钮,并继续将系统滑入到位。一旦到达孔位,钮销便会自动落入开口位置。每个滑块一旦处于新的位置,就会向PTB施加向下的力量。滑块销钉不应露出孔外。如果销钉没有留在管孔内,则需更换拉扭。致电Balanced Body索取替换部件。

配有T型销设置的推杆(PTB)

对于臀部跃起练习,如果客户头部低于PTB,则除了安全带或安全链以外,还应使用T型销设置。强烈建议观察客户。这对安全十分重要。

推杆(PTB)控制。确保凯迪拉克练习床周围的空间足以安全使用PTB,而不必担心撞到他人。如果使用不当,

PTB可能存在危险。只有经过培训、经验丰富的用户才应使用PTB。观察员应始终保持单手控制推杆。如果用户失去对推杆的控制,观察员则可保持控制。

矫正安全带附件。若要做臀部跃起练习,应始终用安全带或安全链固定推杆。

安全带或安全链应该缠绕在PTB和顶棚架周围,而不是吊环螺栓周围。安全带或安全链的强韧度仅与最弱环节一致,框架与

推杆则比吊环螺栓强韧得多。图6。

强烈建议注意保护您的客户。这对安全非常重要。

设置PTB, 以进行臀部跃起练习。对于臀部跃起练习, 应系上安全带, 以使推杆角度不低于4点钟位置。这样可以限制推杆范围, 防止推杆触到用户。

强烈建议与安全带一起使用PTB的第4个侧面, 以防受伤。

座椅

有控制地下椅。下椅时, 慢慢地、有控制地释放踏板。不

沙漏型弹簧支架。如果您的座椅配有沙漏型弹簧支架, 而这些支架无法正确固定弹簧, 则应更换纤维垫圈(红棕色)。



图6: 安全带使推杆保持在4点钟位置。安全带固定于PTB和顶棚架, 而非吊环螺栓。



图7: 安全带使推杆保持在4点钟位置。安全带固定于PTB和顶棚架, 而非吊环螺栓。



图8. 如果您的座椅是Balanced Body分步踏板椅(组合座椅), 请考虑升级至Cactus Springtree。

图8: 纤维垫圈

衬垫清洁与维护

清洁。保持衬垫清洁且没有污垢、油污和汗渍, 可以延长衬垫的使用年限。每次使用之后, 用温和的肥皂水擦洗衬垫。然后用清水擦拭, 再用软毛巾擦干。

消毒。器械衬垫敷以BeautyGard®, 以提供抗菌保护。如果您想额外消毒, Balanced Body提供Balanced Body清洁™消毒溶液。使用任何其它溶液(尤其是含有精油的溶液)将会缩短某些器械的使用年限, 因此不予推荐。

如何检查和紧固螺母螺栓。

用手指检查螺母螺栓的紧固性。如果可以用手转动螺母或螺栓, 即为过松, 应该拧紧。若要紧固, 先用手拧紧。顺时针方向旋转螺母螺栓, 将其拧紧。把螺丝刀插入吊环螺栓, 紧固螺栓期间使其保持稳定。然后, 使用小板钳进一步拧紧螺母。图9。



图9: 用两根手指紧固螺栓

不要让踏板迅速弹回。

注意保护用户。用户站立于、坐于或躺于椅子顶部时, 会增加跌落的风险。尤其是站立练习会极不稳定。注意保护用户会让这些练习更安全。

建议检查PTB凸起处的销钉并适当锁定于竖管中。若要检查其功能, 首先拉出两个旋钮, 然后开始将滑块移至不同的位置。到达下一个孔位之前释放旋钮, 并继续滑动系统。到达孔位上方后, 旋钮销钉将落入开口。每个滑块处于新位置后, 向PTB直接施加向下的力量。滑块销钉不应露出孔外。如果销钉没有留在管孔内, 则需更换拉钮; 致电Balanced Body索取替换部件。

器械检查与维护日志

我们建议您记录器械每个部件的维护日志。日志应该包括:

1. 包括序列号、购买日期和购买地、制造商信息在内的器械描述。所有这些信息应该会显示在发票上。
2. 所有已执行的必要维护和检查的日期及描述。
3. 每次维修的日期和描述, 包括执行维修的人员姓名或公司名称、联络信息。

维护计划

所有器械	天	周	月	季度
检查弹簧间隙和扭结		✓	✓	
检查搭扣磨损情况			✓	
检查螺母和螺栓是否紧固			✓	
核心床				
清洁轮子和轨道		✓		
检查弹簧杆挂钩/吊环螺栓				✓
旋转弹簧				✓
检查绳/带				✓
检查脚踏杆支架				✓
检查一步式弹簧杆				✓

更换部件

若要订购更换部件, 或有任何问题, 请致电:

美国和加拿大: 1-800-PILATES (1-800-745-2837)

英国: 0800 014 8207

其它地方: +1 916-388-2838

传真: 916-379-9277

电子邮件: info@pilates.com

www.pilates.com

88街5909号, 萨克拉门托, 加利福尼亚 95828 美国

[单击此处以获取平衡车身专利数据。](#)

组装与维护播客

查看我们的组装与维护视频库, 网址: www.pilates.com/podcasts。

如何组装Allegro® Reformer

部件清单

部件编号	说明	数量
950-002	完整脚杆	1
950-020	旋转螺栓和垫圈	1件
950-228	带支架的肩托	1对
616-400	锁定肩柱	2
GEN8000	扭锁式柱塞旋钮	2
210-070	柔软触感绳	1对
210-064	双圈 (柔软触感)	1对
950-225	带滑轮的Allegro提升器	2
GEN9050	5/16"内六角扳手	1
ALL0060	Allegro扳手	1
SPR9070	红色弹簧	3
SPR9071	蓝色弹簧	1
SPR9241	黄色弹簧	1
UPH7040	用于站立平台的泡沫垫	1
GEN9282	5/32" 内六角扳手	1
GEN9472	1/4"-20 半圆头螺钉	2
GEN9054	分体式垫圈	2
618-008	带轮的预安装运输支架	2

重要注意事项: 请仔细阅读警告

为降低严重伤害的风险, 请在使用Allegro之前阅读以下重要注意事项。

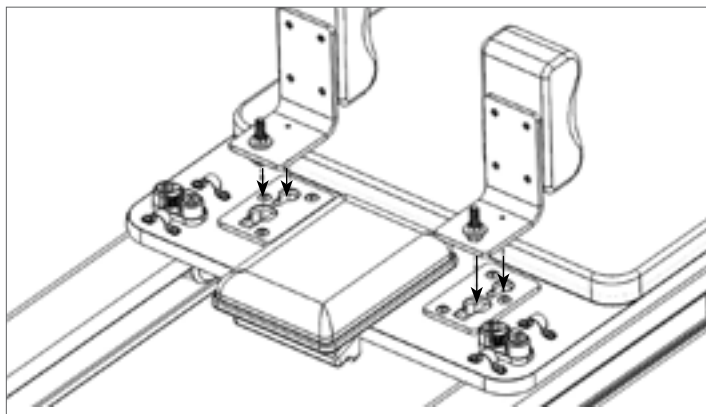
- » 在使用Allegro之前, 请阅读本手册中的所有说明。在使用设备之前, 请查看Allegro附带的设置和安全视频。请完全按照这些说明和视频中的说明使用Allegro。
- » 所有者有责任确保Allegro的所有使用者充分了解所有预防措施。
- » 务必只在水平表面上使用Allegro。使手和脚远离所有活动部件。当不使用Allegro时, 应至少留下两个连接到滑床的弹簧。始终让12岁以下的儿童和宠物远离Allegro。
- » 如果您感到疼痛、头晕或呼吸急促, 请立即停止运动。
- » 在开始任何锻炼计划之前, 请咨询您的医生。



安装肩托

1. 请注意肩托底部的两个突出螺柱。将肩托放入钥匙孔并滑离滑床垫。见图A。

注意：肩托可以安装在两个位置。一个位置更宽，对宽肩更舒适。交换左右肩托，以在标准配置和宽配置之间切换。

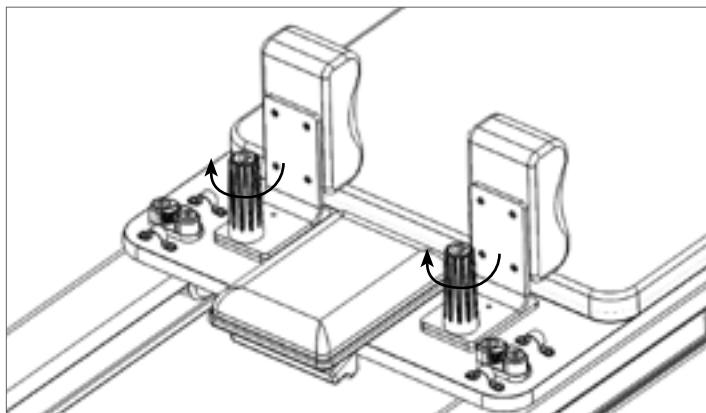


图A

2. 现在将锁定肩柱拧到每个肩托上的外露螺栓上。见图B。

使用锁定肩柱：

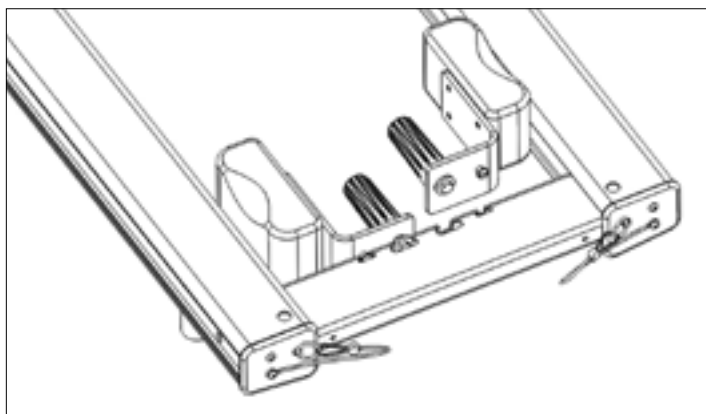
顺时针旋转支柱以将其拧紧并将肩托锁定到位。过度拧紧支柱会使它们难以拆卸，它们应该贴身但不要紧。要取下



图B

肩托，逆时针转动柱子1-2圈，然后将肩托轻轻滑向滑床。

图C显示了肩托的存放位置。请注意Allegro框架头端的钥匙孔槽。



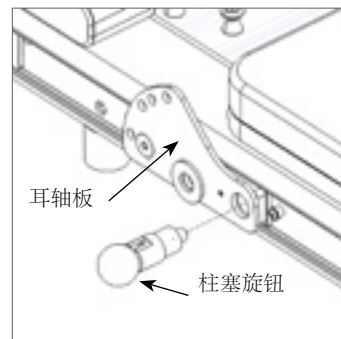
图C

安装黑色柱塞旋钮

3. 透过耳轴中的大螺纹孔，将其与框架中的一个孔对齐。将柱塞旋钮拧入大孔，直至完全拧入。见图D。
4. 在另一边重复。用随附的开口扳手牢固地拧紧两个柱塞旋钮。

要移动耳轴，将柱塞旋钮的球拉离框架并旋转90°以锁定。要重新接合柱塞，请转动旋钮，直至其卡入框架侧面的一个孔中。

注意：在移动之前，应确保两个耳轴板都锁定在相同的水平位置。



图D

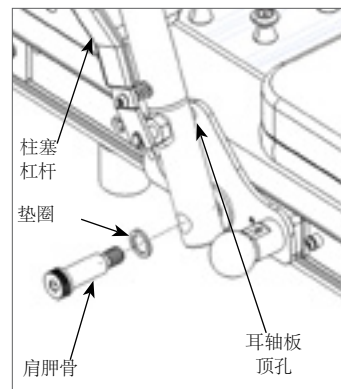
安装脚杆

5. 拿起脚杆，使脚杆盖的接缝远离滑床垫。

6. 在挤压脚杆柱塞杆的同时，将脚杆引导到耳轴板的外侧。将脚杆销与耳轴板的顶孔对齐。在继续支撑脚杆的同时，松开脚杆柱塞杆以接合耳轴板。确保两侧的销钉都已啮合。见图E。

7. 稍微旋转脚杆，直到脚杆底部的大孔与耳轴板中剩余的孔对齐。

8. 用一个垫圈将肩部螺栓滑过大脚杆孔。然后用大型内六角扳手将肩部螺栓尽可能紧地拧入耳轴板。在另一边重复一遍。见图E。

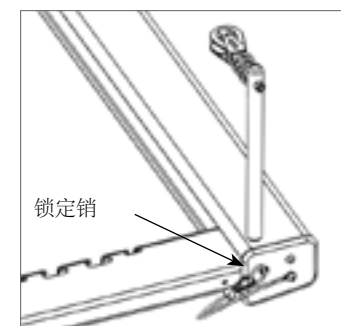


图E

安装提升器

9. 从框架上卸下锁定销。将提升器插入框架顶部的孔中。转动提升器，直到连接的滑轮直接指向框架朝向脚杆。见图F。

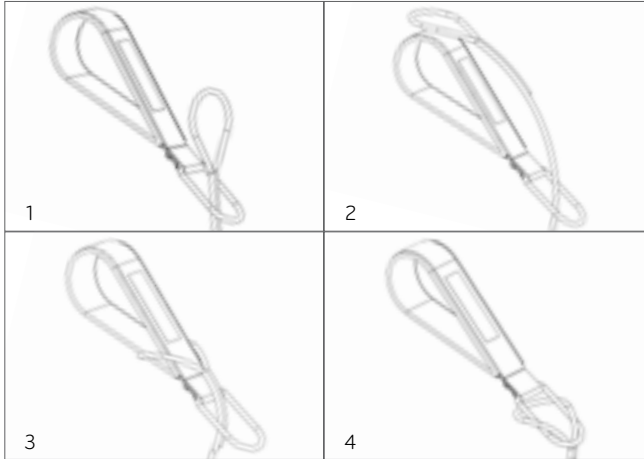
10. 重新插入锁定销直到金属环接触框架。您可能需要轻微抬起或稍微抬起或旋转提升器以完全锁定销钉。



图F

连接绳索

11. 为了连接绳索, 首先将至少一个弹簧从滑床接合到框架上, 以使滑床保持在原始位置。展开绳索并将它们分开。
12. Allegro现在配备了软触感绳索 (Soft Touch Rope), 没有用于连接圈的夹子。夹子将不再拖动或敲入框架内! 请按照下图安装您的圈。见图G。

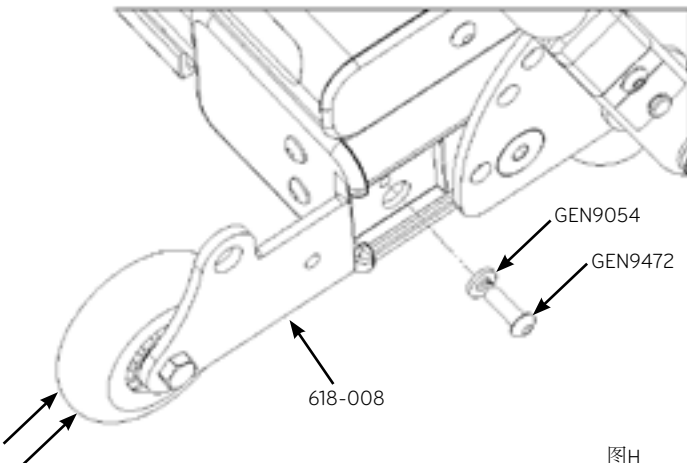


图G

13. 将划圈放在肩托上。将每根绳索的另一端穿过提升器滑轮并返回滑床上的凸轮夹板以调整长度。务必穿过凸轮夹板两侧的铬合金带子。始终将绳子牢固地向下推入防滑钉, 以确保良好的抓着力。

安装运输轮支架

14. 如图H所示, 使用5/32英寸内六角扳手卸下1/4"-20按钮头螺钉并安装在框架最后一个孔中的开口垫圈, 朝向reformer的弯曲部分。将预装配的运输支架滑入reformer底端导轨的通道中。将运输支架上的孔与框架导轨上的孔对齐。使用1/4"-20按钮头螺钉和开口垫圈, 使用5/32英寸内六角扳手将运输支架固定到框架上。见图H以供参考。注意: 安装时, 滚轮会在支架内侧 (朝向框架) 移动。



图H

15. 对reformer的另一侧重复此操作。

存放ALLEGRO REFORMER

堆放

要查看如何堆放Allegro的演示, 请观看Allegro入门级/1级DVD的设置和安全部分。安装弹簧以防止滑床移动。将脚杆移动到“向下”位置。取下肩托并放在框架头部的槽中。把头枕放下。取下提升器并放在框架两侧的孔中。将绳索和划圈放在Allegro框架内而不是滑床上。在堆叠时, 交替Allegros的方向。将头端支脚放在下面Allegro的站立平台上, 依此类推。堆叠最多5个没有支腿的reformer (3条支腿)。不要将Reformer与Tower堆放在一起。

站立

将Allegro脚杆设置并锁定在正确位置以进行站立存放至关重要。将脚杆移动并锁定到最靠近Reformer框架脚端的位置。将脚杆抬高到最高位置。将Allegro框架的头端抬起至腰部高度。然后将框架提升到垂直方向。抬起垂直时, 用脚稳定框架的带轮一端。垂直的Allegro将停放在脚杆和运输轮上。见图H。



图H

清洁和维护

清洁

每次使用后, 用软布和温和的非磨蚀性清洁剂擦拭滑床垫、头枕、脚杆和肩托。保持滑床轨道和车轮清洁无灰尘和污垢定期用毛巾擦拭整个轨道。每周清洁脚杆耳轴轨道。用温和的非研磨性清洁剂清洁框架。保持绳索和弹簧没有灰尘。棉圈可以机洗。悬挂晾干。

润滑

脚杆耳轴C形通道可以用干燥的硅胶喷雾润滑。

维护

» 请参阅随附的安全第一指南。

有问题吗?

请致电Balanced Body技术支持, 电话1-800-745-2838 (美国和加拿大), 或+1-916-388-2838。

如何安装Allegro® Legs Kit

零件包括:

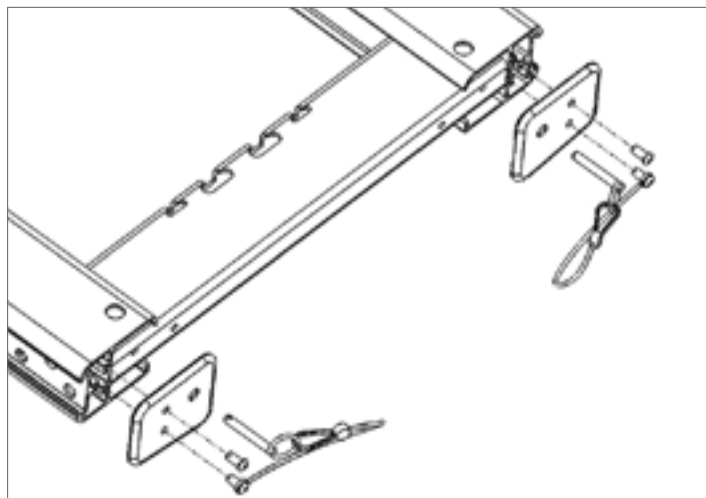
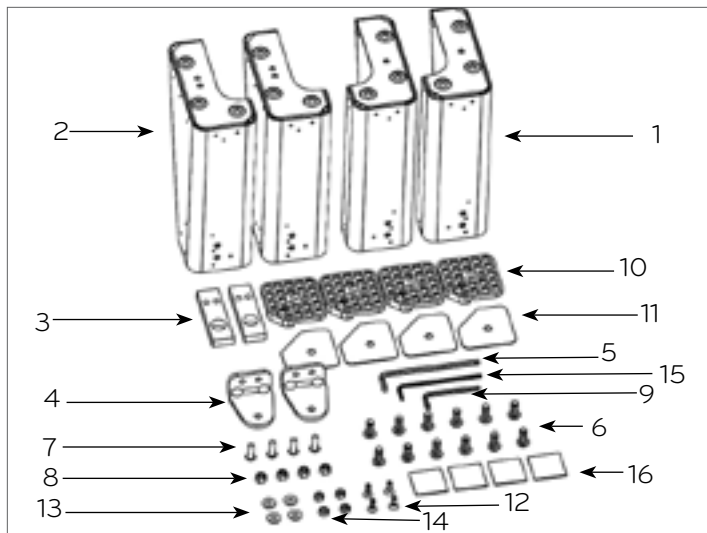
物品编号	零件编号	说明	数量
1	618-030	Allegro Leg, A	2
2	618-031	Allegro Leg, B	2
3	618-021	支腿螺母托板	2
4	614-020	轮式支架, Allegro Extz支腿	2
5	GEN8320	内六角扳手, 3/16" 球状圆心垫	1
6	GEN7321	螺钉, 半圆头, 5/16-18 x 3/4"	12
7	GEN7325	螺钉, 1/4-20 x 3/4"	4
8	GEN9021	螺母, 尼龙自锁, 1/4-20	4
9	GEN9282	内六角扳手 5/32" 短把	1
10	618-135	聚氨酯脚垫	4
11	GEN9600	双面胶带	4
12	GEN6742	平头螺钉 10-24 x 5/8"	4
13	GEN9856	#10 平垫圈	4
14	GEN9059	#10 尼龙螺母	4
15	GEN9284	1/8" 通用扳手	1
16	FAK1000	酒精棉球	4

需要的工具 (不随附):

- » 两个1/2"或可调扳手
- » 一把7/16"扳手
- » 3/8"扳手

准备新垫

1. 从包装中取出支腿和其他材料, 将支腿放在地板上, 支腿的底部朝上, 这样地板上就有“L”形的三个孔
2. 从包装中取出 (4) 个聚氨酯脚垫和 (1) 个酒精棉球。打开一个酒精棉球, 并彻底擦拭每个脚垫的顶部。这是与螺纹相对的一侧。如果酒精棉球变脏或变得太干, 请使用另一个擦拭剩余的垫子。将垫子放在一边, 让其干燥。
3. 打开酒精棉球清洁reformer上每个金属支脚的底部。如果需要, 请再使用一个酒精棉球。
4. 如果安装了Tower Of Power, 请卸下绳索, 松开4个tower旋钮, 然后卸下tower。
5. 使用随附的较短的内六角扳手, 拆下固定头端盖板和提升器销钉的4个螺钉。将它们放在一边以便稍后重新安装。见图A。

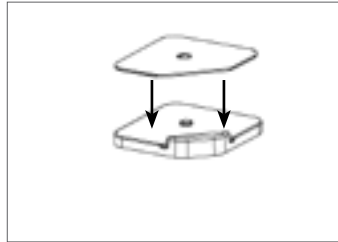


图A

1. 安装所有弹簧以保持滑床静止。去除绳索、肩托和提升器。将脚杆 (如果已安装) 放在最低位置, 检查所有销钉是否锁定, 以确保脚杆牢固。然后, 在朋友的帮助下, 从两端抬起 Allegro 并小心地将其倒置并将其放在地板上。您可能需要在 Reformer 下放置垫或其他地板保护。

2. 用手牢牢抓住橡胶脚垫并逆时针转动, 从 Reformer 框架底部取下4个橡胶脚垫。您可以丢弃脚垫, 除非您想要转换回平坦的 Allegro 配置。

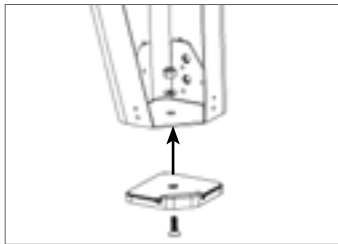
3. 在继续之前, 请确保步骤2中新垫的顶部完全干燥, 并且零件上不再有酒精液体残留。如果焊盘不干燥, 则焊盘和胶带不会粘合。从贴纸上剥下胶带的一面并将其安装在垫上。将胶带的45度角侧与脚垫的阶梯角对齐。中心孔将越过凸起的中心圆。见图B。



图B

4. 从所施加的胶带的顶侧剥离并将该垫组件安装在清洁支腿的底部。见图C。

5. 使用其中一个: #10螺丝、#10垫圈、#10螺母和提供的内六角扳手, 外加一个扳手, 将垫的阶梯角与支腿的开口对齐。凸起的中心将进入支腿的中心孔内。请再次参考图C。拧紧螺钉, 直到末端刚刚伸出螺母顶部。不要拧得过紧。



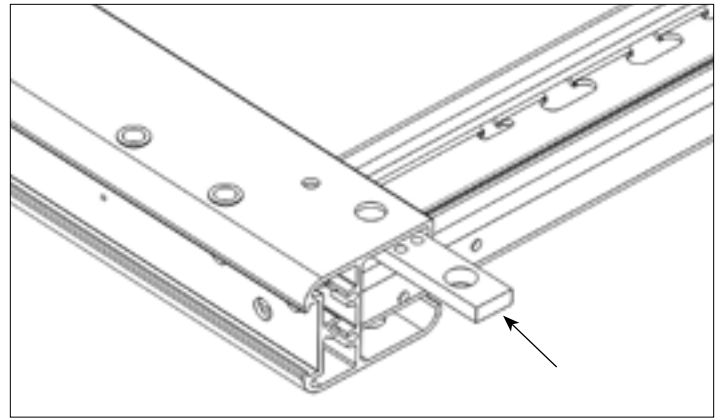
图C

6. 对所有其他支腿重复步骤8-10。

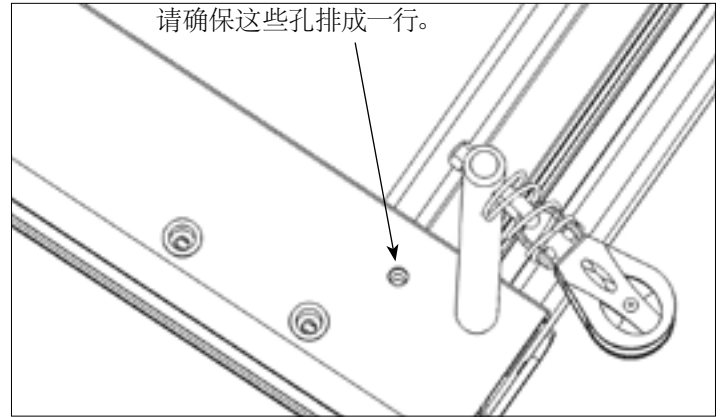
7. 将图D中所示的支腿螺母板插入Reformer框架, 直到大孔与框架中的提升器孔对齐。如果这样了, 将你的提升器放在框架和挡块上以将其固定到位。见图D和E。

8. 现在操纵支腿螺母板, 以便当您向下看框架中的孔时, 图E中的孔对齐。这将是您用于连接支腿的螺孔之一。

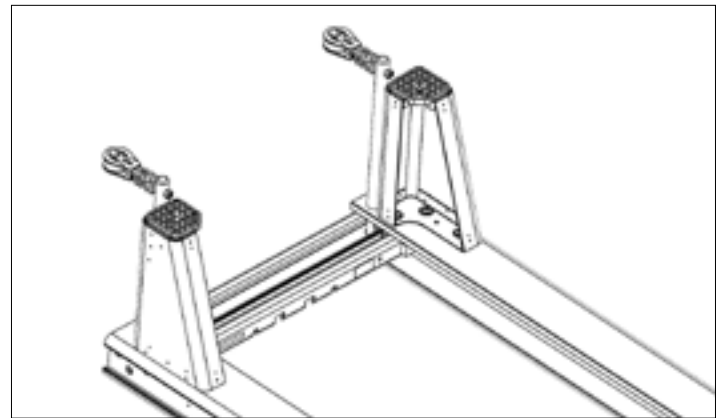
9. 在提升器仍然就位以定位支腿螺母板的情况下, 将两个支腿放在改造器头端的框架导轨上, 将支腿上的孔与框架中的三个孔对齐。左支腿和右支腿不一样, 所以继续寻找与框架中的孔图案相匹配的支腿。现在开始将所有六个5/16-18螺钉拧入框架, 将支腿固定到位。从提升器固定到块中的螺钉开始, 一旦它们全部启动, 拧紧它们。见图F。



图D



图E

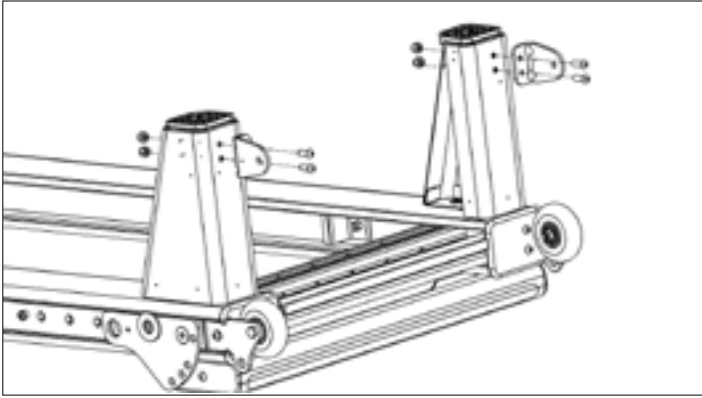


图F

现在您可以移除提升器并将它们放在一边。

注意: 所包含的3/16"通用扳手的长端是球形的, 以便在小区域工作时具有更大的机动性。用手拧紧螺钉后, 用内六角扳手的短支腿拧紧螺钉。

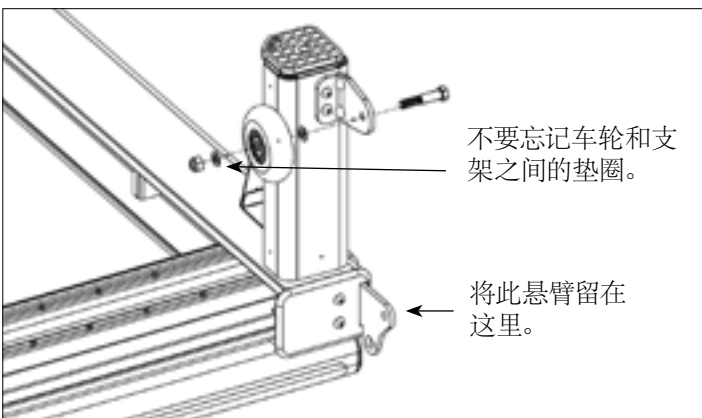
1. 使用6个螺钉以相同的方式将支腿安装在框架的底端。底端不需要支腿螺母板。
2. 使用7/16"扳手和附带的通用扳手, 使用1/4-20螺钉和螺母安装运输轮支架, 如图G所示。确保支架的方向如图所示。通常这些安装在Reformer的底端, 如图G所示。
注意: 运输轮也可以安装在头端, 这样您就可以更容易地移动Reformer和Tower。在此配置中抬起机器的底端之前, 确保滑床滚动到Reformer的头端。



图G (脚杆未显示)

3. 使用两个1/2"或可调扳手, 从当前位置卸下运输轮, 并将它们安装到刚安装的支架上。将旧的运输轮支架留在原位, 因为这是可以安装脚带的地方。见图H。
注意: 垫圈和砂轮安装的顺序和方向与原始支架的安装顺序和方向至关重要。一次完成一个轮子, 如果完成后轮子不能自由旋转, 请对另一个轮子进行双重检查, 以确保一切顺序正确。
4. 将末端导轨盖板重新安装到拆下它们的同一侧。

注意: 如果您要安装Tower System, 请关闭前端导轨盖板。

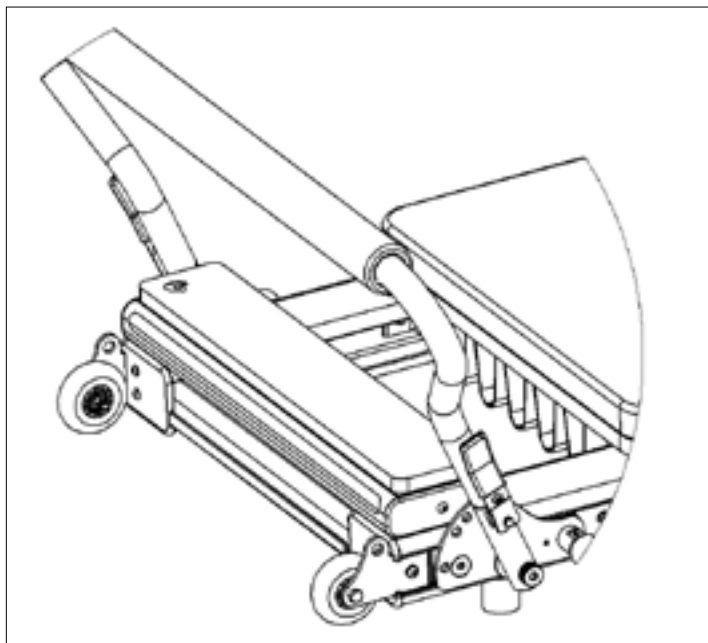


图H

5. 支腿已经安装好了, 现在可以小心地抬起并将你的Allegro Reformer返回支腿上。重新安装肩托、提升器和绳索。

如何安装和使用 站立平台垫

您的Allegro Reformer配有一个站立平台垫。将垫子直接放在站立平台的顶部使用。此垫将使站立平台的高度与您的滑床垫相同。见图A。



图A

组装 Allegro® Tower of Power™

在组装之前, 请根据以下列表检查收到的零件和组件。如果您遗漏了任何部件, 请致电1-800-普拉提 (1-800-745-2837) (美国和加拿大) 或+1-916-388-2838 (国际) 联系

Balanced Body客户服务部门。

准备ALLEGRO REFORMER

如果您购买了Allegro 14"支腿套装, 我们强烈建议在安装Tower之前安装支腿。

从Allegro移除所有绳索和提升器。如果您的Allegro是在2004年2月1日之前购买的, 请取下侧面的标签和背衬。您可以致电1-800-普拉提 (1-800-745-2837) (美国和加拿大), 或+1-916-388-2838 (国际) 免费订购新标签。

部件清单

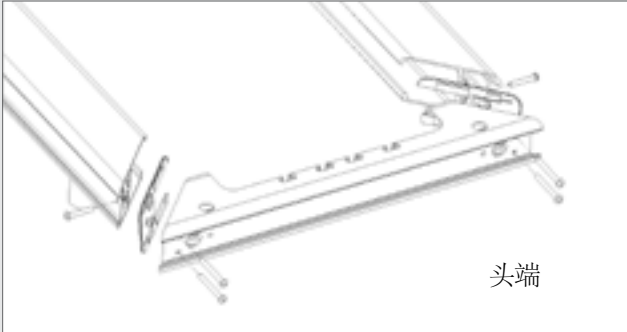
说明	零件编号	数量
Tower	618-024	1
推杆 (PTB)	TRP0047	1
销钉	GEN9892	2
Tower支架, 右	950-234	1
Tower支架, 左	950-235	1
可调滑轮和旋钮组件	950-131	2
5/32" 内六角扳手, 长	212-001	1
蓝色弹簧	SPR9004	2
黄色弹簧	SPR9002	2
长弹簧, 紫色	SPR9461	2
长弹簧, 黄色	SPR9006	2
下滚杆	710-010	1
单棉圈	101-005	1对
安全带, 带登山扣	210-023	1
Tower下弹簧底座	950-236	1



重要提示: 请先阅读

注意: 如果您的Allegro原始版本带有倾斜角接头 (序列号小于36396), 请按照这些说明进行操作。

- a. 使用提供的5/32"内六角扳手, 松开并取下固定框架头端的六个螺钉 (Reformer两侧各一个, 头端4个)。如果安装了支腿, 则必须卸下连接到框架头端的支腿螺栓。注意框架构件之间的塑料垫片是如何定向的以及它们如何适合。

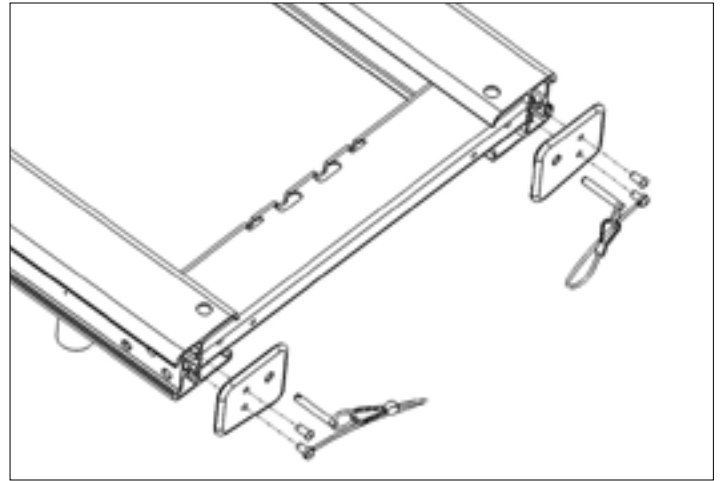


- b. 请按照下面步骤3中的说明安装Tower框架。不要拧紧支架螺钉。
- c. 在步骤a中卸下塑料垫片和螺钉, 重新安装Reformer框架的头端。两个较短的螺栓位于框架的侧面, 4个较长的螺栓从头端进入。启动所有6个螺栓, 然后拧紧螺钉, 直到它们拧紧, 不要过度拧紧它们。如果你有支腿, 也要重新安装这些螺栓。
- d. 将Tower支架定位, 使它们与框架侧面的框架螺钉边缘对齐。然后按照步骤4中的说明拧紧Tower支架螺钉。
- e. 请按照步骤6中的说明进行操作。

1. 使用提供的5/32"通用扳手, 取下Allegro框架头端的塑料导轨帽和锁定销。它们需要回到同一侧, 所以要跟踪哪一个去了什么地方并用它们固定螺钉。见图A。

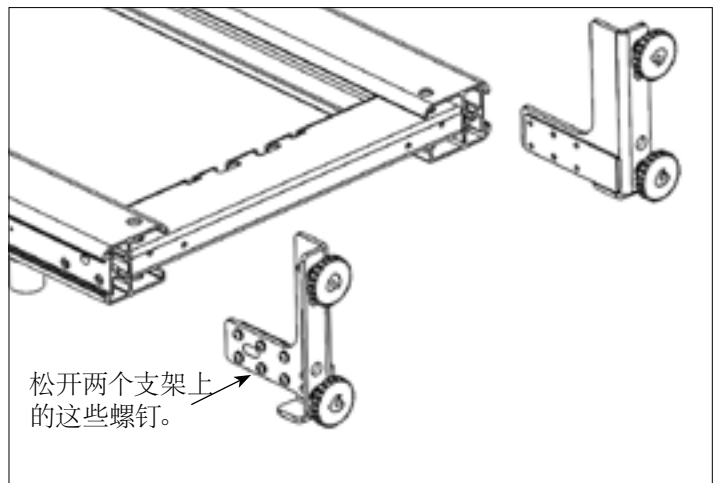
2. 安装Tower安装支架:

- a. 使用提供的5/32"通用扳手, 松开每个支架上的6个螺钉1-2圈。不要移除它们, 您只需要在金属板之间稍微拧一下。见图B。
- b. 确保支架的方向如图B所示 (使用大号灰色旋钮和螺钉作



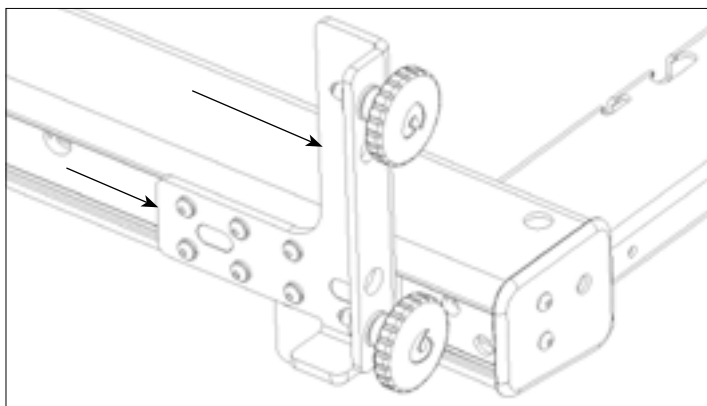
图A 为参考) 并将它们滑入框架的C形通道。

3. 将塑料导轨端盖重新安装在拆下它们的同一侧。不再需要系索和锁定销, 因此可以使用提升器将它们放在一边。见图C。



图B

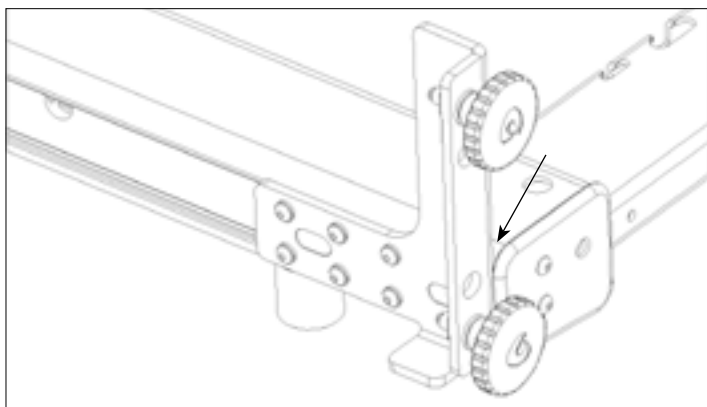
4. 确保两个支架一直滑到塑料导轨盖上。使用提供的5/32"通用扳手, 拧紧两个Tower框架上的6个螺钉。见图C和D。
5. 将Tower框架安装到支架上。
 - a. 调整Tower框架的方向, 使底部的大螺纹孔远离滑床。
 - b. 将Tower框架提升到支架上并将其降低, 使其位于支架底部的支架上。见图E。



图C

c. 将框架向支架滑动，直至其齐平。

d. 通过一支手臂或一个助手将Tower框架竖直固定到位，开始将4个大旋钮穿入Tower框架。您可能需要推动框架才能使用旋钮将其固定到位，如果有一个给您带来麻烦，只需移动到其他部分并返回到它。

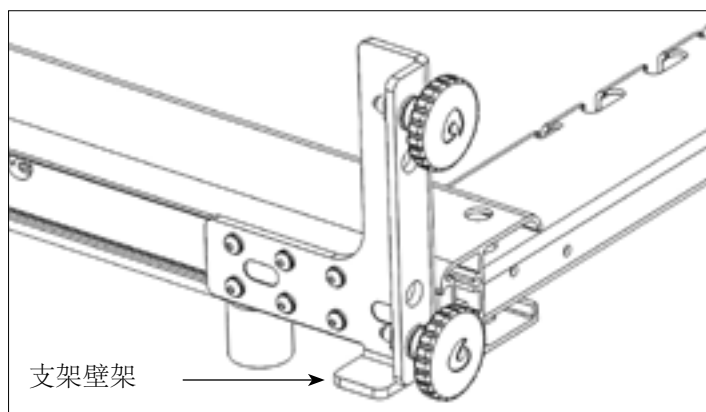


图D

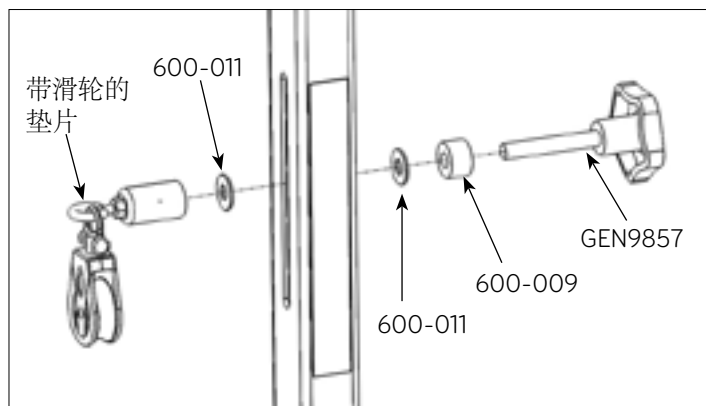
重要注意事项：将所有四个旋钮开始转3-4次在Tower收紧前进入任何一个之前的框架。同样重要的是，Tower框架与旋钮平行并与支架齐平。您可能需要推/拉/扭转Tower的支腿以使其对齐。

e. 一旦开始所有四个旋钮，请一个接一个地拧紧。

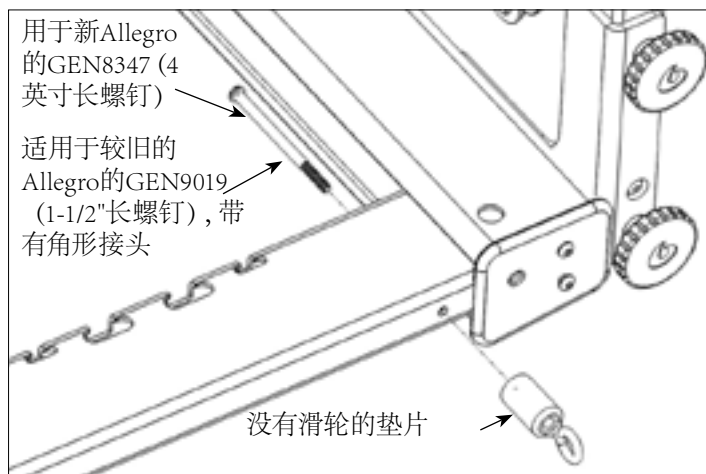
6. 通过组装如图F所示的组件以及框架内侧的滑轮，安装可调滑轮。当吊环螺栓处于水平位置时拧紧旋钮，如图F所示。在另一侧重复。
7. 使用长螺钉和5/32英寸内六角扳手将下部弹簧支架安装在框架的头端。如图G所示，使吊环螺栓垂直定向拧紧螺钉。
8. 通过新的提升器滑轮重新穿过绳索。



图E



图F

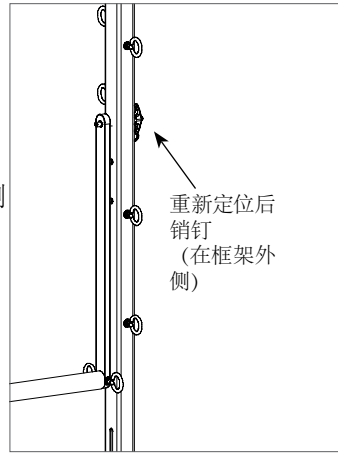


图G

重新定位销钉

出于运输目的，Tower包装时，销钉安装在Tower框架内侧。

- 销钉应安装在Tower框架外侧以备使用。要取下销钉，请按下销钉手柄上的按钮，同时牢固地扣住推杆（PTB）。将销钉从PTB和Tower框架上拉出。从Tower框架外侧重新插入销钉。见图H。



图H

安装垫子转换

- 断开所有滑床弹簧
- 将滑床移动到框架的头端，并将绳索去除。
- 将垫子放在站立平台和滑床之间的开放空间。
- 从滑床（可选）上卸下肩托。

使用预先安装的推杆（PTB）安全带

注意：始终使用安全带进行底部弹跳练习。

仅在合格的教练监督下使用。PTB安全带仅用于底部弹跳练习。右图显示了正确固定到安全带的推杆。带子包括多个圈或“接触点”，以便您可以在运动时释放PTB的“停止点”。

注意：在不使用时，使用Tower框架顶部安全带的Velcro部分固定PTB直立。

用TOWER移动和直立ALLEGRO

注意：移动、提升或存放Allegro或Allegro和Tower时务必小心谨慎。使用适当的提升技术以避免损伤。



图I

要移动：

要将Reformer和Tower移动一小段距离，您可以抬起头部并将其在运输轮上滚动，就好像您没有Tower一样。请注意，您将升起Tower和Reformer，因此它本身会比Reformer重。Tower也将升得很高，所以如果天花板不高，你必须小心。

如果无法移动Reformer和Tower，请移除Tower，然后移动Reformer。

- 将绳索通过提升器上的滑轮拉回。
- 松开四个灰色的Tower旋钮，从Reformer框架中取出Tower。如果太重，可以先拆下弹簧和推杆。如果您没有卸下推杆或下滚杆，请注意它们可以自由摆动。
- 现在将滑床利用至少2个弹簧保持在原位，抬起Reformer的头端滚动。

注意：如果您安装了延长支腿并在前端安装了传送轮，则可以将Tower安装好并抬起机器的底端以使其滚动。在提升之前，确保滑床位于框架的头端。当您在此配置中移动时，您将占用更多空间，但在某些情况下，这是可以接受的。

要站立：

- 按照“要移动”部分中的说明卸下Tower框架。在站立之前必须拆除Tower。
- 将Allegro脚杆设置并锁定在正确位置以进行站立存放至关重要。将脚杆移动并锁定到最靠近Reformer框架脚端的位置。将脚杆抬高到最高位置。将Allegro框架的头端抬起至腰部高度。然后将框架提升到垂直方向。抬起垂直时，用脚稳定框架的轮式端。垂直的Allegro将停靠在脚杆和运输轮上。

注意：将Allegro脚杆设置并锁定在正确位置以进行站立存放至关重要。

如何安装Allegro® 墙壁安全带

Allegro墙壁安全带设计用于安装在标准木框架的墙壁上。如果您的墙体结构(砖、混凝土等)属于不同类型,可能需要不同的紧固件。请咨询当地的五金店或承包商。

零件清单 (包括在内)

- » 1 个可调节腰带
- » 1 3-1/2" 吊环螺栓

需要的工具 (不包括在内)

- » 带1/8"钻头的钻
- » 菲利普斯或平头螺丝刀

安装吊环螺栓

6. 在墙上找到你想要站立Allegro的铆钉。确保在螺柱的两侧以及Allegro的上方都有足够的空间。使用1/8"钻头,在螺柱上预先钻一个孔。孔应位于地板上方5'至5 1/2'处。用螺丝刀将吊环螺栓固定在预先钻好的孔中,直到吊环螺栓的轴完全位于墙内。

使用墙壁安全带

7. 按照Allegro或Allegro Tower说明进行正确的站立程序。
8. 将Allegro移到墙壁附近,脚杆指向远离墙壁的方向(垂直于墙壁)。
9. 将带子末端缠绕在一个导轨上,并使用可调节夹子像带子一样连接两端。
10. 调整带子以消除任何松弛。

注意: 不要试图将带子末端缠绕在整个框架上,这样不适合。

重要提示: 对于因安装不当,或使用不正确或不正确的墙壁安装设备而造成的任何损坏或伤害, Balanced Body概不负责。

如果您有任何疑问,请致电1-800-普拉提(1-800-745-2837) (美国和加拿大) 或+1-916-388-2838 (国际) 联系Balanced Body。



如何组装Allegro® Stretch Reformer

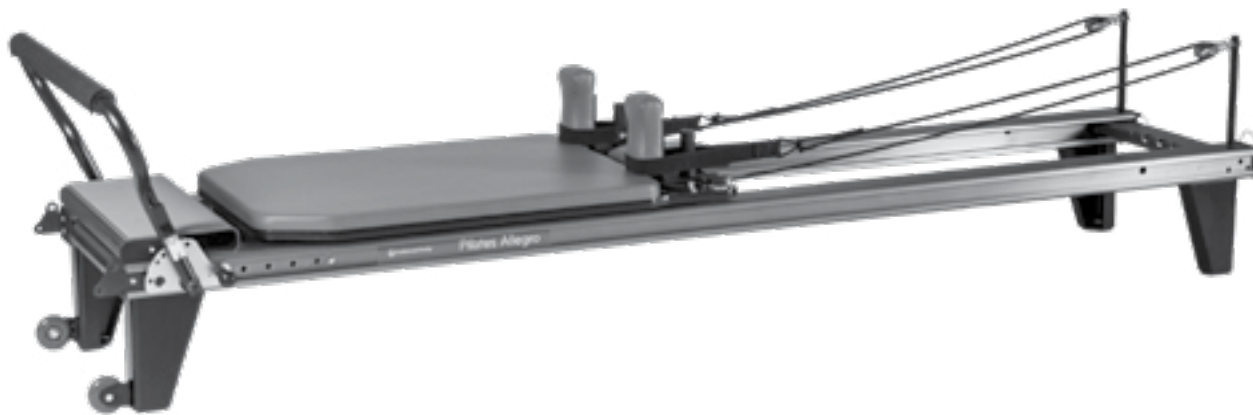
部件清单

部件编号	说明	数量
950-002	完整的脚杆	1
950-020	旋转螺栓和垫圈	1件
950-228	带支架的肩托	1对
616-400	锁定肩柱	2
GEN8000	扭锁式柱塞旋钮	2
210-057	柔软触感的绳子, 伸展	1对
210-064	双圈 (柔软触感)	1对
950-225	带滑轮的Allegro提升器	2
GEN9050	5/16"内六角扳手	1
ALL0060	内六角扳手	1
SPR9082	红色弹力弹簧	3
SPR9080	蓝色弹力弹簧	1
SPR9076	黄色弹力弹簧	1
621-008	超大的站立平台	1
UPH7040	泡沫垫子 - 站立平台	1
UPH7041	泡沫垫子 - 超大的站立平台	1

重要注意事项: 请仔细阅读警告

为降低严重伤害的风险, 请在使用Allegro之前阅读以下重要注意事项。

- » 在使用Allegro之前, 请阅读本手册中的所有说明。在使用设备之前, 请查看Allegro附带的设置和安全视频。仅按照这些说明和视频中的说明使用Allegro。
- » 所有者有责任确保Allegro的所有使用者充分了解所有预防措施。
- » 仅在水平表面上使用Allegro。使手和脚远离所有活动部件。当不使用Allegro时, 至少留下两个连接到滑床的弹簧。让12岁以下的儿童和宠物始终远离Allegro。
- » 如果您感到疼痛、头晕或呼吸急促, 请立即停止运动。
- » 在开始任何锻炼计划之前, 请咨询您的医生。

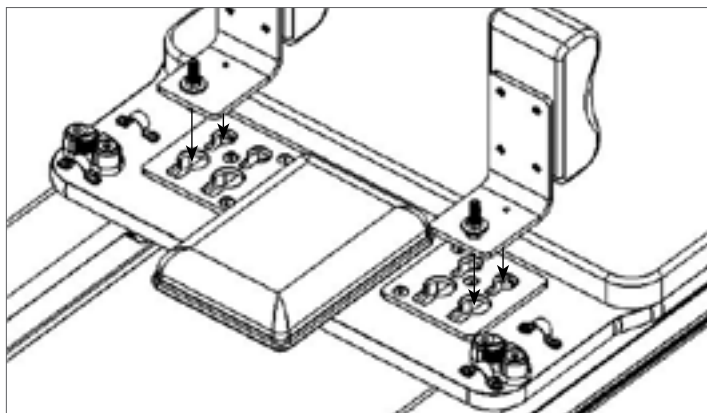


安装肩托

弹力reformer配有八个不同的肩托。肩托可根据窄肩或宽肩调节。可以交换左肩和右肩肩托以实现这些配置。

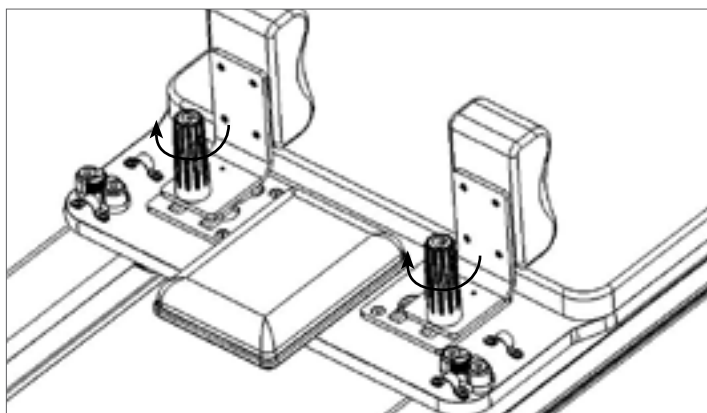
1. 请注意肩部底部的两个突出螺柱。将肩托放入锁眼并滑离滑床垫。见图A。

注意：一个位置更宽，宽肩更舒适。交换左右肩托，以在标准配置和宽配置之间切换。



图A

2. 现在将锁定肩柱拧到每个肩托上的外露螺栓上。见图B。



图B

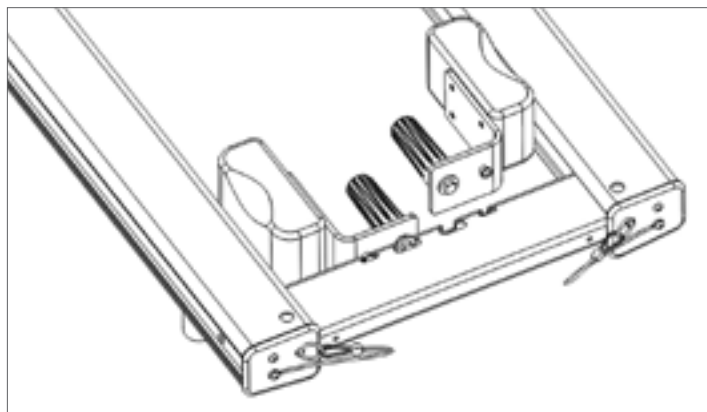
使用锁定肩柱：

顺时针转动柱子以将其拧紧并将肩托锁定到位。过度拧紧支柱会使它们难以拆卸，它们应该贴身但不要太紧。要取下肩托，逆时针转动柱子1-2圈，然后将肩托轻轻滑向滑床。

图C显示了肩托的存放位置。
注意Allegro框架头端的钥匙孔槽。

安装黑色柱塞旋钮

3. 仔细观察耳轴中的大螺纹孔，并将其与框架中的一个孔对齐。将柱塞旋钮拧入大孔，直至完全拧入。见图D。

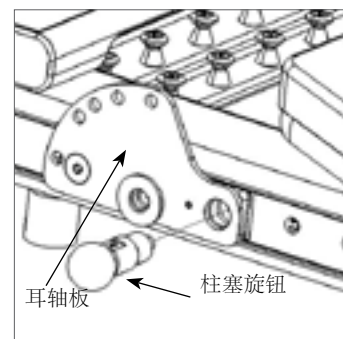


图C

4. 在另一边重复。用随附的开口扳手牢固地拧紧两个柱塞旋钮。

要移动耳轴，将柱塞旋钮的球拉离框架并旋转90°以锁定。要重新接合柱塞，请转动旋钮，直至其卡入框架侧面的一个孔中。

注意：在移动之前，确保两个耳轴板都锁定在相同的水平位置。



图D

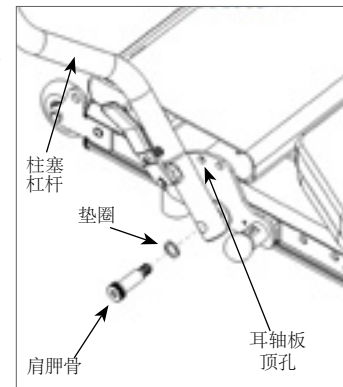
安装脚杆

5. 拿起脚杆，使脚杆盖的接缝远离滑床垫。

6. 在挤压脚杆柱塞杆的同时，将脚杆引导到耳轴板的外侧。将脚杆销与耳轴板的顶孔对齐。在继续支撑脚杆的同时，松开脚杆柱塞杆以接合耳轴板。确保两侧的销钉都已啮合。见图E。

7. 稍微旋转脚杆，直到脚杆底部的大孔与耳轴板中剩余的孔对齐。

8. 用一个垫圈将肩部螺栓滑过大脚杆孔。然后用大型内六角扳手将肩部螺栓尽可能紧地拧入耳轴板。在另一边重复一遍。见图E。

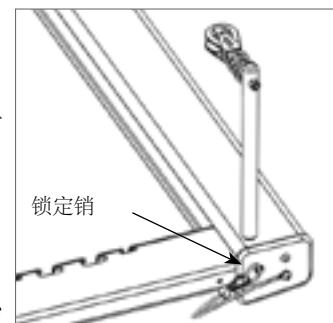


图E

安装提升器

9. 从框架上卸下锁定销。将提升器插入框架顶部的孔中。转动提升器，直到连接的滑轮直接指向框架朝向脚杆。见图F。

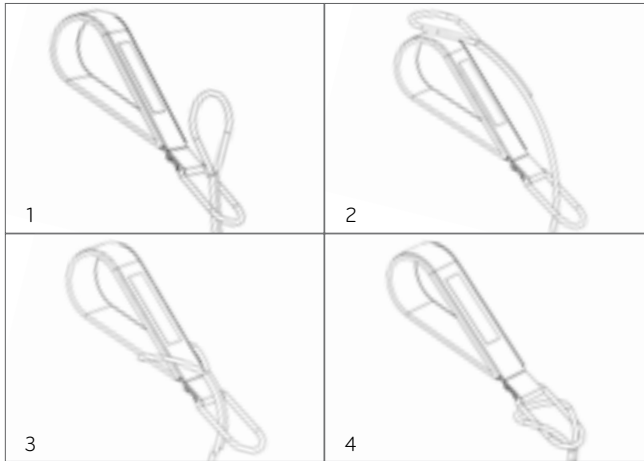
10. 重新插入锁定销，直到金属环接触框架。您可能需要轻微抬起或稍微抬起或旋转提升器以完全锁定销钉。



图F

连接绳索

1. 为了连接绳索, 首先将至少一个弹簧从滑床接合到框架上, 以使滑床保持在原始位置。展开绳索并将它们分开。
2. Allegro现在配备了软触感绳索 (Soft Touch Rope), 没有用于连接圈的夹子。夹子将不再拖动或敲入框架内! 请按照下图安装您的环。见图G。
3. 将划圈放在肩托上。将每根绳索的另一端穿过提升器滑轮并返回滑床上的凸轮夹板以调整长度。务必穿过凸轮夹板两侧的铬合金带子。始终将绳子牢固地向下推入防滑钉, 以确保良好的抓着力。



图G

ALLEGRO REFORMER存放

堆放

要查看如何堆放Allegro的演示, 请观看Allegro入门级/1级DVD的设置和安全部分。安装弹簧以防止滑床移动。将脚杆移动到“向下”位置。取下肩托并放在框架头部的槽中。把头枕放下。取下提升器并放在框架两侧的孔中。将绳索和划圈放在Allegro框架内而不是滑床上。在堆叠时, 交替Allegros的方向。将头端支脚放在下面Allegro的站立平台上, 依此类推。堆叠最多5个没有支腿的reformer (3条支腿)。不要将Reformer与Tower堆放在一起。

Standing (站立)

如果配备超大型站立平台, 请确保在站立reformer之前将其取出。将Allegro脚杆设置并锁定在正确位置以进行站立存放至关重要。将脚杆移动并锁定到最靠近Reformer框架脚端的位置。将脚杆从最高位置抬起一下。将Allegro框架的头端抬起至腰部高度。然后将框架提升到垂直方向。抬起垂直时, 用脚稳定框架的轮式端。垂直的Allegro将停靠脚杆和运输轮上。见图H。

清洁和维护

清洁

每次使用后, 用软布和温和的非磨蚀性清洁剂擦拭滑床垫、头枕、脚杆和肩托。保持滑床轨道和车轮清洁无灰尘和污垢定期用毛巾擦拭整个轨道。每周清洁脚杆耳轴轨道。用温和的非研磨性清洁剂清洁框架。保持绳索和弹簧没有灰尘。棉圈可以机洗。悬挂晾干。

润滑

脚杆耳轴C形通道可以用干燥的硅胶喷雾润滑。

维护

» 请参阅随附的安全第一指南。

有问题吗?

致电Balanced Body技术支持, 电话1-800-745-2838 (美国和加拿大), 或+1-916-388-2838。



图H

Balanced Body® Allegro® 伸展系统的新脚杆功能

水平脚杆调整

Allegro配备可调节的脚杆,可以移动以适应不同高度的使用者。要移动脚杆,请将脚杆底部的圆形黑色旋钮拉出并旋转90度以锁定。向前或向后滑动脚杆,直到它与轨道上所需的孔对齐。旋转旋钮,直到销钉插入孔中。确保销完全啮合。

- » 孔1最靠近Reformer的脚杆端,并产生肩托和脚杆之间的最长距离。它适用于较高的使用者(超过6'3"或需要减少膝盖和髌关节屈曲)。
- » 孔2适用于6'和6'3"之间的使用者
- » 孔3适用于5'9"和6'之间的使用者
- » 孔4适用于5'5"到5'9"之间的使用者
- » 孔5适用于4'10"到5'5"之间的使用者

这里给出的高度是建议。当滑床完全用于腿部和脚部锻炼时,脚杆调节应允许使用者略微小于90°的髌部屈曲。

垂直脚杆调整

要垂直调整脚杆,请挤压脚杆底部的两个手柄,直到销钉从板上脱离。将脚杆移动到所需高度,然后将销钉放入孔中。

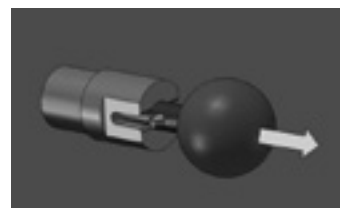
- » 垂直杆 - 将销钉移入最高孔并松开手柄。这个位置是肩托和脚杆之间最短的空间。此位置用于较矮的使用者的脚和腿锻炼。
- » 高杆 - 将销钉从顶部移入第二个孔并松开手柄。高杆位置缩短了肩托和脚杆之间的空间。该位置用于较矮的使用者的脚和腿部锻炼,以及由于腰椎前凸增加或背部紧张而难以保持背部放置的使用者。
- » 中间杆 - 将销钉放在板上顶部的第3个孔中。中间杆位置延长了肩托和脚杆之间的空间。这减少了膝盖在脚和腿部锻炼中的屈曲,并将躯干置于中立的站立位置。
- » 低杆 - 将销钉放在板顶部的第4个孔中。低杆位置将肩托和脚杆之间的空间增加到其最大长度。这减少了膝盖在足部和腿部锻炼中的弯曲,减少了大象式的躯干和臀部的弯曲,并且可以用于更高或更灵活的使用者。
- » 无踏板 - 将销钉放在板上的最低孔中。该位置用于将踏板移开以进行站立练习和使用者躺在箱子上的练习。

有关所有其他Allegro功能,请参阅手册。

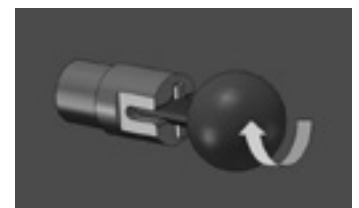
轻松使用柱塞锁定旋钮

Balanced Body's Allegro® Reformer和Clinical Reformer® 以及Studio Reformer® (带有Infinity脚杆) 带有柱塞锁定旋钮,可以更轻松地沿着框架调整和移动Reformer脚杆。

使用时,将柱塞旋钮直接拉出,使凹进的十字销从槽中伸出,如图A所示。然后旋转旋钮,使十字销钉放在螺栓头上,如图B所示。重复操作另一边。



图A



图B

如何安装和使用超大型站立平台

如果您订购了Allegro Stretch Reformer, 您的机器将配备“新型”倾斜超大型站立平台和超大平台垫。如果您订购了正常的Allegro Reformer, 请参阅下面的内容以确定要订购的平台。

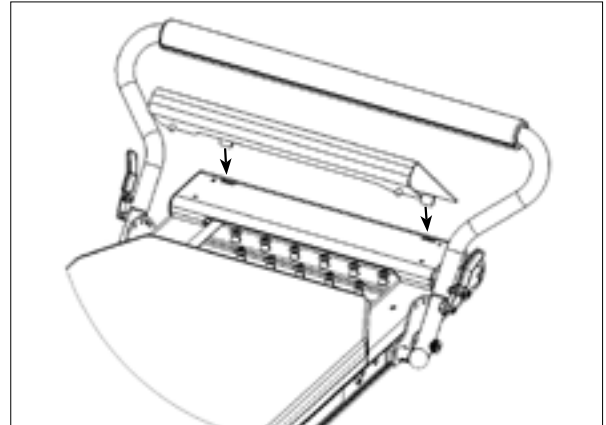
确定您拥有哪种Allegro Reformer规格。

- » 如果您的耳轴和站立平台附近的导轨有一个开槽孔, 请按照新的说明进行操作, 并订购部件号950-266, 超大型站立平台, A1b。
- » 如果您的reformer导轨中没有插槽, 请按照旧式说明(单独的表单) 并订购部件号720-063, 超大型站立平台, A1b。

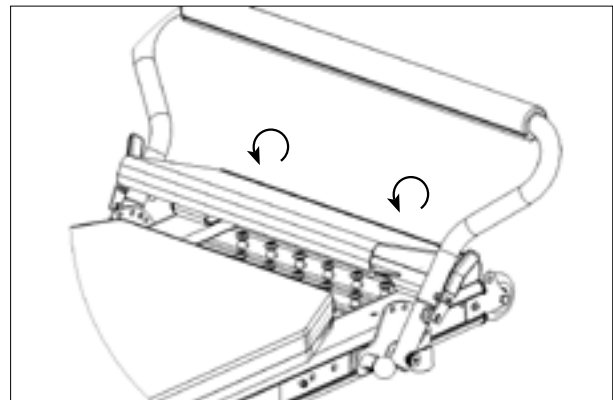
新款式

安装超大型站立平台

4. 将倾斜的超大型站立平台(O.S.P) 向下放到安装的站立平台上。O.S.P.上有两个标签。它将落入站立平台的插槽中。底面的销钉将朝向您的滑床。见图B。
5. 一旦O.S.P. 安装了卡舌, 使其向前和向下转动, 使销钉下降到导轨上并落入导轨的槽中。见图C。
6. 你现在可以使用你的O.S.P.。要触及和更换弹簧, 请倾斜O.S.P. 离开滑床。完成更换后, 降低O.S.P. 回到导轨上。



图B

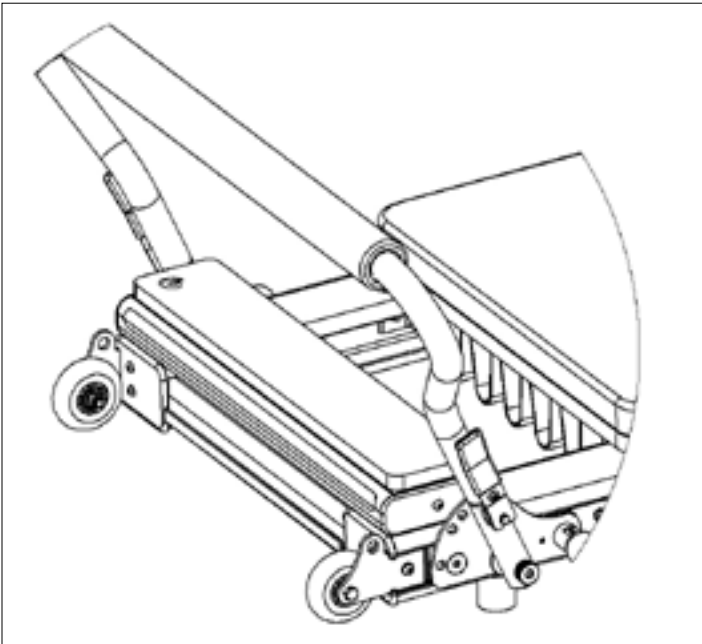


图C

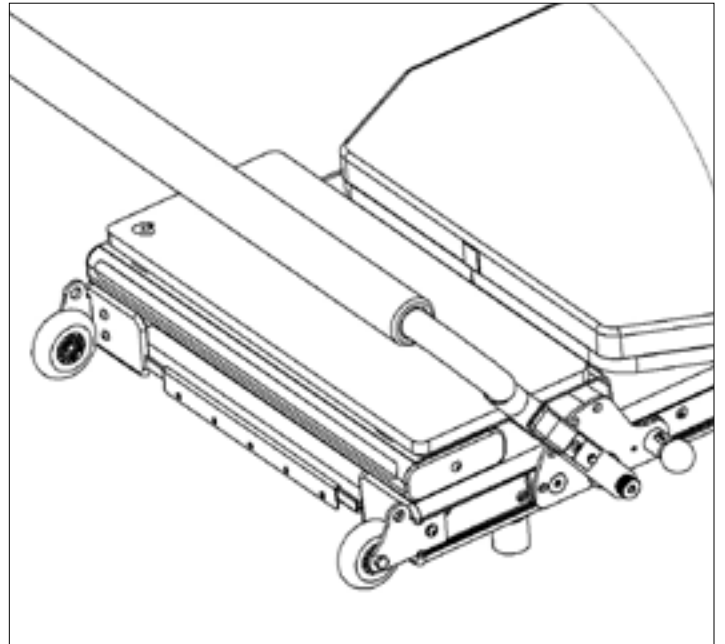
如何安装和使用Allegro® Stretch Reformer的 站立平台垫

您的Allegro Stretch Reformer配有两个站立平台垫, 一个用于固定站立平台, 另一个用于超大型站立平台。将它们直接放在站立平台的顶部以便使用。这些垫将使站立平台高度与您的滑床垫相同。请见图A和B。

注意: 您必须卸下较小的垫以安装O.S.P.
一次只能使用一个垫子。



图A - 站立平台垫



图B - 超大型站立平台垫

普拉提床练习

步法, 所有级别

重复10次

弹簧: 2 - 4根弹簧

杆: 中间或高

头枕: 向上

注意点

- » 呼吸 - 呼气, 吸气, 吸气/呼气
- » 中性脊柱
- » 骨盆稳定
- » 臀部、腿部和脚踝对齐
- » 臀部、腿部和脚踝加强
- » 循环
- » 隔离 - 释放上半身和臀部不必要的张力

注意事项

对踝关节、膝关节、髋关节屈曲、脊柱压迫敏感

起始姿势

仰卧在滑床上, 双脚放在脚杆上, 双腿分开, 与臀部同宽

脚跟

脚后放在脚杆上, 后推并返回

脚趾

跖骨放在杆上, 脚跟稍微抬起, 后推并返回

抓握

跖骨缠在杆周围, 后推并返回

普拉提V

跖骨放在杆上, 外翻, 脚尖放低, 脚跟并拢, 后推

收缩/立脚尖

跖骨放在杆上, 平行, 双腿伸直, 足底弯曲, 踝关节背屈, 足背踝, 足底弯曲, 弯曲膝盖, 推回起始位置

第二姿势

足跟在杆的末端, 轻微外翻, 后推并返回

Running in place (原地跑步)

跖骨放在杆上, 一脚跟背屈, 另一膝弯曲, 双腿交替20-50次



脚跟



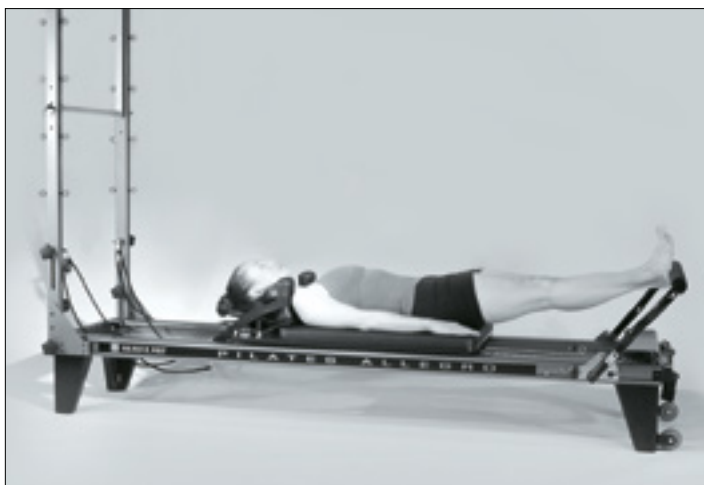
脚趾



xxxxxx



普拉提V



回滚, 1级

重复10次

弹簧: 1 - 2

杆: 无

圈: 短

注意点

- » 呼气 - 呼气翻滚/吸气卷起或吸气/呼气
- » 脊柱灵活性
- » 腹部力量
- » 肩膀向下
- » 脖子伸长
- » 柔软臀部屈肌

注意事项

背部受伤, 颈部受伤, 髋部屈肌受伤。骨质疏松症要谨慎

前提

脊柱屈曲舒适

起始姿势

面对绳索坐下, 膝盖弯曲, 双手放入圈中, 手臂伸直, 肘部柔软

标准练习

手臂伸直, 握住圈, 向下滚动, 向后弯曲并保持抬起, 向后滚动以保持脊柱轻微弯曲

斜身变化

将膝盖向一侧旋转, 将躯干向另一侧旋转, 向下滚动, 切换旋转并向上滚动

手臂运动动作变化

低背, 在滑床上向后滚动, 添加二头肌卷曲或三角肌抬起3次, 卷起



HUNDRED(百次拍击), 所有水平

套件: 10
弹簧: 1 - 3
杆: 无
圈: 常规
头枕: 向上

注意点

- » 冲击式呼吸 - 吸5次, 呼5次
- » 稳定的骨盆 - 印平或中立
- » 收腹
- » 腹部力量
- » 肩膀向下
- » 脖子伸长

注意事项

背部受伤, 颈部损伤, 髋部屈肌损伤, 骨质疏松症

前提

垫上Hundred(百次拍击)

起始姿势

躺在滑床上, 膝盖90度, 双手握圈, 双臂朝向天花板

第1级动作

膝盖弯曲90度, 当头部和上半身从滑床上抬起时, 双臂伸向两侧, 随呼吸震动双臂

第2级动作

双腿伸向天花板, 当头部和上身抬离滑床时, 双臂伸向两侧, 随呼吸震动双臂

第3级动作

当头部和上半身从滑床上抬起时, 双臂伸向两侧, 将腿伸直至天花板, 然后将小腿保持在垫子上的低位, 随呼吸震动双臂



协调, 2级

重复6次

弹簧: 1 - 2

杆: 无

圈: 常规

头枕: 向上

注意点

» 呼气 - 吸气开始, 呼气触碰, 吸气打开/关闭, 呼气返回

» 稳定的骨盆 - 印平或中立

» 收腹

» 腹部力量

» 内收肌强化

» 肩膀向下

» 脖子伸长

注意事项

背部受伤, 颈部损伤, 髋部屈肌损伤, 骨质疏松症要谨慎。

前提

垫子或Reformer Hundred (百次拍击)

起始姿势

躺在滑床上, 膝盖90度, 双手握圈, 肘部弯曲90度, 上臂放在滑床上

标准运动

当头部和上半身从滑床抬起到Hundred (百次拍击) 位置, 开合腿, 先弯曲膝盖, 然后降低头部并将臂返回到起始位置时, 将臂伸到两侧



反向腹肌, 4级

重复10次

弹簧: 1 - 2

杆: 无

圈: 常规

注意点

- » 呼气 - 呼气拉膝, 吸气释放
- » 腹部力量
- » 髂腰肌力量
- » 髂腰肌和腹部协调
- » 印平脊柱
- » 肩膀向下
- » 脖子伸长

注意事项

背部受伤, 颈部损伤, 髋部屈肌损伤, 骨质疏松症

前提

垫子卷起, 强壮腹部, 能够保持脊柱印平

起始姿势

仰卧面向绳索, 脊柱印平, 膝盖弯曲90度, 环绕膝盖, 头部由手支撑, 与肘同宽

标准练习

保持脊柱印平, 收腹并将膝盖拉到90度以上, 同时弯曲躯干并抬起头部, 将腿部恢复到起始位置, 保持脊柱印平

斜身变化

向右旋转躯干, 左手伸向右膝盖, 当手臂伸过时将膝盖拉向胸部 (一侧重复4-8次并切换)

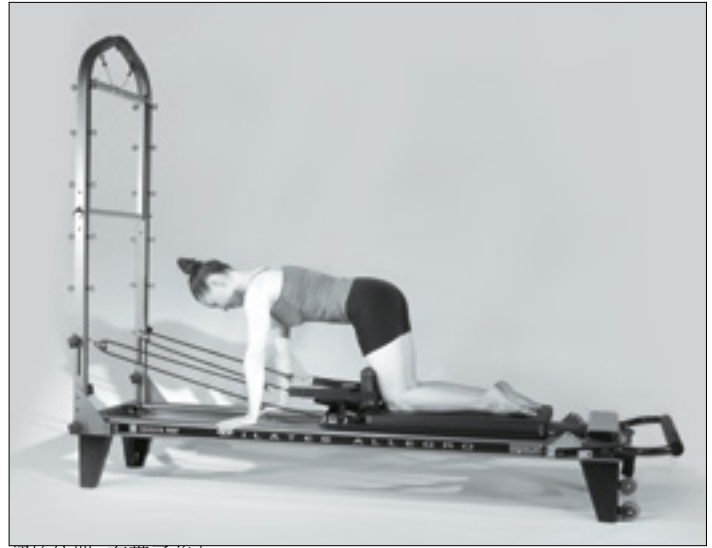


KNEELING ABDOMINALS (跪式腹肌), 1-2级

重复10次
弹簧: 0 - 2
杆: 无
圈: 无

注意点

- » 呼气 - 当膝盖拉入/吸气时呼气, 返回起始位置
- » 骨盆稳定
- » 腹部力量
- » 骨盆稳定
- » 肩胛稳定性



初始位置, 在带子前面

预防措施

肩膀, 肘部和手腕有问题, 无法下跪

前提

收腹四肢着地 (pregnant cat abdominals)

起始姿势

面对带子四肢跪着, 双手放在框架的边缘

标准运动 (平背)

面朝带子, 膝盖靠在肩膀上, 保持脊柱中立并平行于地面, 通过在臀部弯曲将滑床拉向头部



平背

变化 - 倾斜1

将双手放在一个框架上, 让躯干侧向弯曲并旋转, 同时保持臀部尽可能呈正方形, 拉动双腿以增加躯干的运动

变化 - 单腿1

将一条腿从滑床上抬起并在你身后直线延伸, 保持肩膀尽可能呈正方形, 向内拉一条腿保持中立的后背位置



倾斜1

脚放入带中, 第1级

重复6次
设置: 2个弹簧
杆: 任意
圈: 常规

注意点

- » 呼气 - 向外呼气/向内吸气或向外吸气/向内呼气
- » 脊柱到垫子或中立脊柱
- » 收腹
- » 腹部力量
- » 骨盆稳定性
- » 腘绳肌、内收肌和臀肌力量
- » 腘绳肌和内收肌灵活性
- » 腿和臀部对齐
- » 臀部活动范围

注意事项

髌关节屈肌损伤, 腘绳肌弹性受限, 背部受伤, 腹部无力

前提

足够的腘绳肌弹性, 稳定背部的能力, Hundred (百次拍击)

起始姿势

在滑床上仰卧, 足弓放入圈中

腿部放下

臀部稳定, 从大腿内侧聚拢开始, 降低并抬起腿

变化: 双腿平行, 在魔术圈中外翻或内收或双腿之间放球

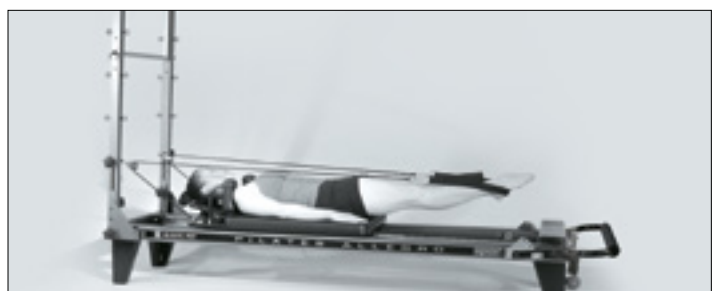
剪刀

臀部稳定, 从大腿内侧聚拢开始, 向两侧张开双腿并返回

变化: 腿部保持在臀部上, 滑床移动时腿部向下移动到栏杆 (V's)

Circles (划圈)

臀部稳定, 从大腿内侧聚拢开始, 腿划圈或D字形环绕向下和向左移动, 反向方向变化: 腿平行, 外翻或内收, 或膝盖放在带子中



拉带子, 1级

重复4 - 8次
弹簧: 1 - 2 个弹簧
箱子: 长
圈: 常规
杆: 低或无

注意点

- » 呼吸 - 拉时吸气, 释放时呼气
- » 髌骨对着垫子
- » 收腹
- » 肱三头肌, 背阔肌, 带子向下和上背部力量
- » 头部呈一线
- » 肩胛骨放置
- » 腿和躯干对齐

注意事项

肩部、肘部和手腕受伤, 有些背部问题

前提

能够俯卧

起始姿势

俯卧在长箱子上, 胸部离开箱子前边缘, 脚杆向下, 面向绳索, 抓住绳索。

双臂向下

沿着滑床的边缘将绳索拉到臀部

双臂向两侧伸

将绳索拉到臀部, 双臂伸向侧面

上背部拉升

沿滑床边缘拉绳索, 抬起上背部

三头肌推举

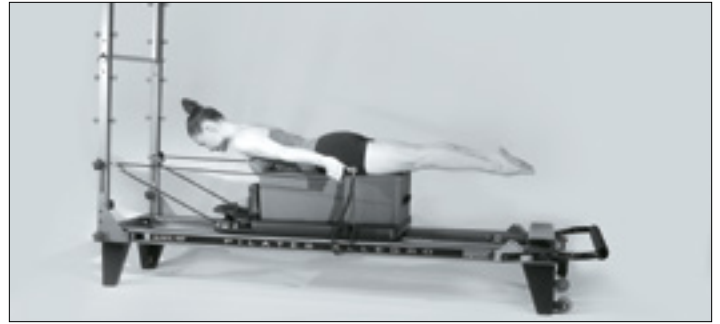
沿着滑床边缘将绳索拉到臀部, 将肘部保持在适当位置, 弯曲并伸展肘部

天鹅 (2级)

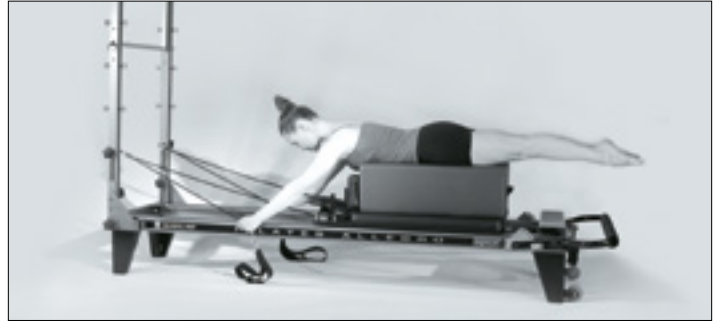
起始姿势

俯卧在长箱子上, 面向低或中间脚杆, 双手放在杆上。

向外压伸直双臂, 向下按压杆向后抬起至背部伸展, 将躯干向后压平, 弯曲肘部。



Pulling Straps (拉伸带)



用上背部提升拉动带子



Swan (天鹅式)

短箱子 - 腹部, 所有级别

重复6次
弹簧: 4 - 5
箱子: 短
带子: 脚带
杆在手中

注意点

- » 呼气 - 向下吸气/向后呼气或向下吸气/向后吸气
- » 腹部强化
- » 收腹
- » 背部加强
- » 背部灵活性

注意事项

背部、颈部和肩部受伤, 骨质疏松

前提

Reformer回滚, 凯迪拉克回滚

起始姿势

坐在短箱子上, 面对脚杆, 脚带在脚下, 膝盖微微弯曲

标准练习

用长曲线向下滚动并回滚

倾斜变化

用长曲线向下滚动, 将躯干向两侧旋转, 向后滚动



骨盆提升, 2级

重复6次
弹簧: 2 - 3
头枕: 向下

注意点

- » 呼气 - 向上呼气, 向后吸气, 下卷吸气
- » 腘绳肌和臀肌强化
- » 收腹
- » 骨盆稳定
- » 脊柱灵活性



注意事项

背部问题, 有限的膝关节屈曲, 颈椎问题限制卷起

前提

垫上骨盆按压

起始姿势

仰卧, 脚掌或脚跟放在杆上, 腿平行或脚V形, 臀部向外旋转

标准练习

将骨盆从滑床上滚下来, 向后推, 将臀部保持在一个水平, 使滑床进入, 滚下

腿部位置

腿平行, 脚跟坐在骨下

腿平行, 大腿内侧在一起

双腿在普拉提V内, 脚跟并拢

脚跟与框架同宽, 臀部向外分开。



手臂练习, 1级 - 2级

重复4 - 10次

弹簧 1-2

箱子: 长、短或无

圈: 非常短、短或常规

注意点

» 呼吸 - 拉时吸气/释放时呼气

» 肱二头肌、肱三头肌、胸大肌和三角肌强化

» 肩胛稳定

» 躯干稳定

» 坐姿

注意事项

手腕、手臂或肩膀问题, 坐姿能力受限的背部问题

所有练习的坐姿变化

坐在滑床上, 盘腿, 双腿伸直或跪着

面对带子的练习

Biceps (二头肌)

双手握住短圈, 弯曲肘部将带子拉到肩部。

Triceps/Posterior Deltoid (三头肌/后三角肌)

手握着圈, 手臂伸直, 将带子向后拉至与臀部持平, 震动双臂

面对脚杆的练习

Serve a tray (上托盘)

面对脚杆坐下, 手握常规圈, 肘部弯曲, 向前伸, 伸直手臂, 向侧向张开双臂, 掌向上

Hug a tree (抱树)

手臂向两侧, 肘部柔软, 指尖朝向对方



Biceps (二头肌)



Serve a tray (上托盘)



Hug a tree (抱树)



三头肌



站立, 1 - 3级

重复8次

弹簧: 1 个弹簧

站立平台

注意点

» 呼气 - 向外呼气, 向内吸气

» 内收肌和外展肌强化

» 收腹

» 站立对齐

» 平衡

注意事项

平衡问题

前提

无

起始姿势

一只脚站立在平台上, 一只脚站在滑床上。面朝房间一侧, 与 Allegro 的侧面平行。将第一只脚放在框架上, 将第二只脚放在滑床上。

标准练习

伸展双腿打开, 闭合

腿部姿势动作变化

腿伸直, 平行, 外翻

双腿弯曲, 平行, 外翻



Allegro® Tower练习

练习设置术语的定义

- » 级别: 进行锻炼所需的专业知识水平。
- » 重复: 练习进行的次数。
- » 弹簧: Allegro Tower上弹簧的数量和位置。
- » 圈: 运动时应使用哪种圈。*
- » 注意: 运动时应该强调什么。
- » 注意事项: 可能限制或排除参与者的身体状况。对于有这些症状的人士,可能需要修改练习。
- » 前提: 在进行新练习之前必须掌握的具体练习。
- » 起始位置: 从哪里开始练习Allegro Tower。
*如适用

回滚, 1级

弹簧: 来自高位置的2个长黄色或2个短黄色弹簧
重复: 6-10次
回滚杆或手柄

注意点

- » 呼吸 - 向下滚动呼气, 在底部吸气, 呼气以卷起
- » 腹部和腰部伸肌之间的平衡
- » 颈部和肩部柔软
- » 保持C曲线
- » 柔软臀部屈肌

注意事项

肩颈部问题, 一些腰背部问题, 骨质疏松症

起始姿势

面朝Tower坐下, 握住杆或把手, 膝盖柔软, 双脚放在金属杆上。

标准练习

握住杆, 双臂伸直, 向下滚动, 向后弯曲并保持抬起, 向后滚动, 保持脊柱轻微弯曲

倾斜变化

- » 木杆 (滑水)
- » 坐在桌子上对角线, 将左脚放在杆上, 右脚交叉放在脚踝上, 将左手放在杆上, 去触碰右臂, 同时向右旋转躯干。
- » 向下滚动并向滚动, 保持旋转, 然后切换侧面。



回滚



划水

脚放入带中, 第1级

重复: 6次

设置: 2个弹簧

杆: 任意

圈: 常规

注意点

» 呼气 - 向外呼气/向内吸气或向外吸气/向内呼气

» 脊柱到垫子或中立脊柱

» 收腹

» 腹部力量

» 骨盆稳定性

» 腘绳肌、内收肌和臀肌力量

» 腘绳肌和内收肌灵活性

» 腿和臀部对齐

» 臀部活动范围

注意事项

髋关节屈肌损伤, 腘绳肌弹性受限, 背部受伤, 腹部无力

前提

足够的腘绳肌弹性, 稳定背部的能力, Hundred (百次拍击)

起始姿势

仰卧在滑床上, 圈绕着足弓

腿部放下

臀部稳定, 从大腿内侧聚拢开始, 降低并抬起腿

变化: 双腿平行, 在魔术圈中外翻或内收或双腿之间放球

剪刀

臀部稳定, 从大腿内侧聚拢开始, 向两侧张开双腿并返回

变化: 腿部保持在臀部上, 滑床移动时腿部向下移动到栏杆 (V's)

Circles (划圈)

臀部稳定, 从大腿内侧并拢开始, 向下和向四周移动腿或D型移动腿, 反向方向变化: 腿平行, 外翻或内收, 或膝盖放入带中。



起始位置 - 腿部降低1



腿部降低2



剪刀1/划圈1



剪刀2



划圈2



划圈3

脚放入带中 - 第1级-3

重复6-10次

弹簧: 来自中间位置的长弹簧

足弓放入圈中

注意点

- » 呼气 - 向下呼气/向上吸气
- » 正确的侧卧位 (腰部向上, 臀部和肩部呈一线)
- » 收腹
- » 骨盆稳定性和从骨盆隔离一条腿
- » 内收肌, 内侧腘绳肌和外旋加强

注意事项

一些背部受伤、膝盖受伤和骶髂关节不稳定

起始姿势

侧躺在Allegro Tower上, 身体背部与垫子的后缘呈一线, 腿稍微向前。

通过将下臂支撑在直立杆上或头部靠在手臂上的来支撑身体。

将足弓放入圈中

标准练习

将顶部腿向下拉至底部的腿。

保持正确的侧卧位。

变化: 平行, 外翻 (较大的运动范围), 内收。

椭圆

保持正确对齐, 将上面的腿向两个方向绕小圈。

变化: 平行、外翻、内收

前后踢

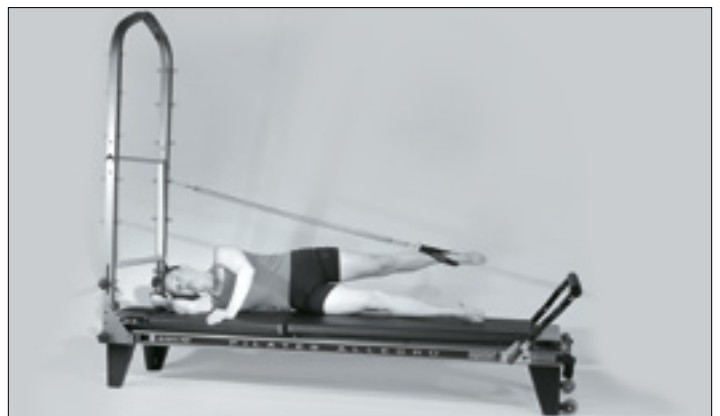
保持正确对齐, 向前和向后摆动上面的腿 (如在垫子上的侧踢)

。

变化: 平行, 外翻, 内收



拉动内收肌



踢到前面和后面

足部和腿部训练, 1级

重复10次

弹簧: 来自推杆底部的2个长紫色弹簧

安全带开启

注意点

呼吸 - 推时吸气, 返回时呼气

脊柱到垫子或中立脊柱

腿、脚踝和脚对齐

小腿和腓绳肌的灵活性

脚、脚踝和小腿力量

注意事项

背部受伤, 膝盖受伤

起始姿势

在Allegro Tower上仰卧, 双脚放在推杆上, 弹簧从低位连接到推杆上

层

俯卧, 推杆与前臀部折痕对齐, 屈膝, 屈曲臀部, 跖骨或脚后跟放在杆上, 伸直腿并返回。

脚部位置变化: 脚跟, 脚趾

腿部变化: 平行, 外翻, V形脚, 宽2号位, 单腿

Plie/Releve (屈膝/立脚尖)

俯卧, 推杆与前臀部折痕对齐, 屈膝, 屈曲臀部, 跖骨或脚后跟放在杆上。

将杆向上推向天花板, 拉直膝盖, 踝关节屈曲, 脚踝背屈并返回。

变化: 平行, 外翻, 单腿

跖屈

俯卧, 推杆与前髌关节折痕对齐, 双腿伸直, 跖骨或脚趾位于杆上, 跖屈, 脚踝背屈。

变化: 平行, 外翻, 单腿, 原地跑



层



跖屈 - 2条腿



跖屈 - 交替腿

坐式推进, 1级

重复6次

弹簧: 来自推杆上方的1个短红色弹簧

注意点

- » 呼气 - 向前伸展时呼气, 伸展或逆转时吸气
- » 脊柱屈伸
- » 腘绳肌灵活性
- » 肩胛骨稳定性/活动性
- » 收腹和举升
- » 呼吸与脊柱活动的协调



注意事项

有些背部受伤, 肩部受伤

前提

垫子 - 脊柱拉伸

起始姿势

坐在面向Tower的桌子上, 双脚靠在直立杆上, 两只手放在推杆上(膝盖可以根据灵活性弯曲或伸直)。

标准练习

向下推杆, 从头顶向前弯曲脊柱, 向前触碰杆并伸展。

通过收腹并将一个椎骨堆叠在另一个上面直到坐在坐骨上来返回。

向上按压杆并从臀部向前倾斜, 平背然后再开始



猫, 级别3

重复4次

弹簧: 来自推杆上的2个短弹簧

注意点

- » 呼气 - 向下滚动时呼气, 伸出时吸气, 向后拉时呼气, 舒展时吸气。
- » 脊柱灵活性
- » 肩胛骨稳定性/活动性
- » 收腹和举升
- » 完全脊柱活动的呼吸协调

注意事项

背部受伤, 肩部受伤, 膝盖受伤和骨质疏松症

前提

垫子 - 猫/骆驼伸展

起始姿势

跪在桌子上, 双手放在推杆上, 杆靠近身体。

标准练习

按下杆向下并从头顶开始向下滚动脊柱。

当脊柱延伸到伸展部分时, 伸展杆。

通过将腹部拉入并将脊柱卷曲回到屈曲状态, 然后将椎骨一个堆叠在另一个之上以返回到起始位置。(尽可能将臀部向前压在膝盖上。)



CIRCLE SAW (圆盘锯), 第2级

重复4次

弹簧: 来自推杆上方的2个短的黄色弹簧

注意点

- » 呼气 - 伸展时呼气, 向外划圈时吸气, 伸手时呼气, 向内划圈时吸气
- » 脊椎旋转灵活性
- » 肩胛骨稳定性/活动性
- » 收腹和举升
- » 完全脊柱活动的呼吸协调

注意事项

有些背部受伤, 肩部受伤

前提

垫子 - 锯子

起始姿势

坐在面向Tower的桌子上, 双脚靠在直立杆上, 右手向上推动推杆, 左手伸向右脚。

标准练习

向左侧滑动左手并继续向外和向四周转动手臂, 让躯干向后倾斜, 同时保持腹部提升和躯干完整性, 直到左手越过右臂向右脚伸出。

反向划圈

使用每个手臂重复四次, 保持两个坐骨锚固以保持骨盆稳定性 (或稍微释放一个以增加伸展)。



坐式双臂, 第1-2级

重复4-10次

弹簧: 来自推杆上高位置的 1 - 2 个短的红色弹簧
销钉或带衬垫的棍子

注意点

- » 呼气 - 拉时呼气, 释放时吸气或拉时吸气, 释放时呼气
- » 肩胛稳定性和移动性
- » 肩膀向下
- » 收腹
- » 坐骨上的平衡

注意事项

肩部受伤, 适用于内收肌紧绷

起始姿势

面向Tower跨越桌子, 双手放在推杆上, 或盘腿坐在推杆内框架内。也可以站在面对Tower的Allegro外侧。

用棍子下拉

手掌朝向自己, 尽可能宽地握住销钉或软垫。

向下拉杆, 专注于颈部和上肩部柔软。

在不抬高肩膀的情况下将杆返回到起始位置。



用杆推