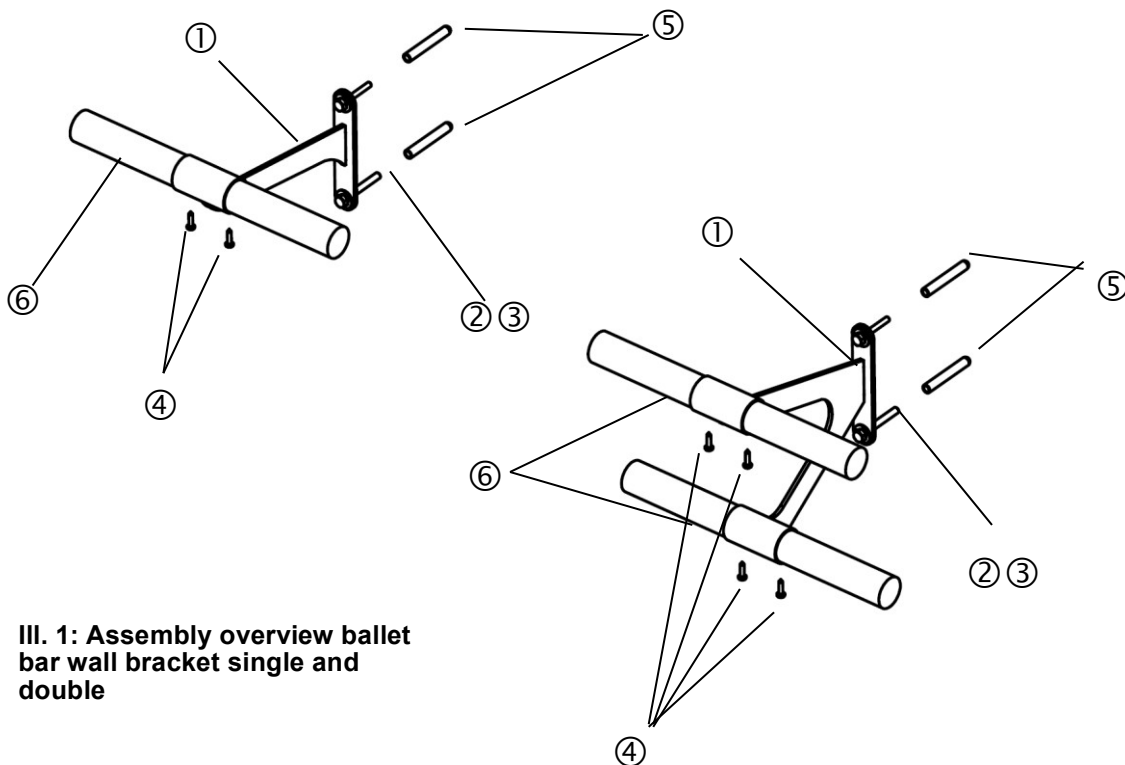


Prod. no.: 306 8159 - single
306 8146 - double

Assembly instructions for ballet barre wall bracket

Thank you very much for choosing a **Sport-Thieme** product. Please read the instructions fully before you assemble the equipment so you can enjoy the product and its guaranteed safety:



III. 1: Assembly overview ballet bar wall bracket single and double

1 When you open the package, please ensure all the necessary parts are included.

- ① 1 wall bracket for ballet barre (single or double)
- ② 2 screws 8 x 80
- ③ 2 washers 8
- ④ 2 or 4 spax screws 5 x 25
- ⑤ 2 nylon wall plugs 10
- ⑥ ballet barre, round (not included)

2 Assembly instructions

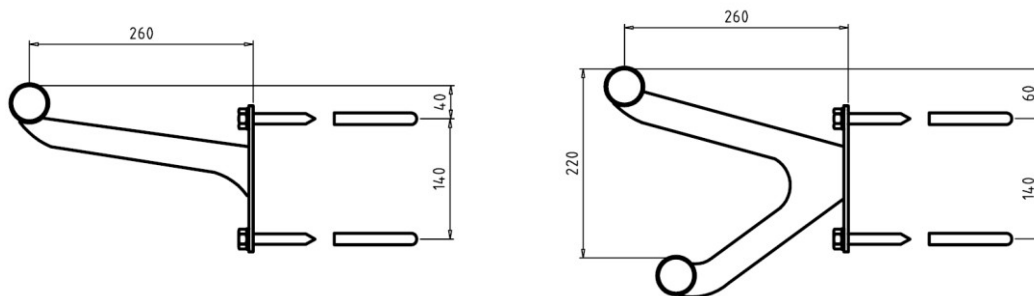
Before you begin assembly, please ensure that you mount the ballet barre bracket ① to a **solid and stable wall** (no plasterboard, hollow bricks or similar)!

Prod. no.: 306 8159 - single
306 8146 - double

Determine the required height for fixing the barre^⑥. Follow ill. 2 to mark the drilling holes starting from that height. Make sure that all brackets^① you wish to mount are level. Using a suitable masonry drill bit, drill the holes and put in the wall plugs. Now, insert the two screws^② with washers^③ through the wall bracket's holes^① and tighten them with a hex key into the wall plugs^⑤.

Finally, connect the wall bracket^① and the ballet barre^⑥ using the spax screws included^④. In order to prevent possible chipping, the ballet barre can be pre-drilled with a 2 mm wood drill bit.

Individually choose the distance between the round ballet barre brackets^① according to your needs and depending on the respective ballet barre^⑥. The distance between the brackets should not exceed 1.50 m.



III. 2: Drilling plan for ballet barre wall bracket single and double

Caution: Do not overload or climb the equipment!
Maximum load 50 kg



Instructions:

Maintenance and care instructions

Carry out a visual check at regular intervals. Due to our continuous quality control of the products, technical changes may occur which may lead to slight deviations in the instructions.

Check at regular intervals that the screw connections are tight.

Check the equipment for possible damage and replace worn-out parts.

We are happy to answer any questions you may have.

Your **Sport-Thieme** Team