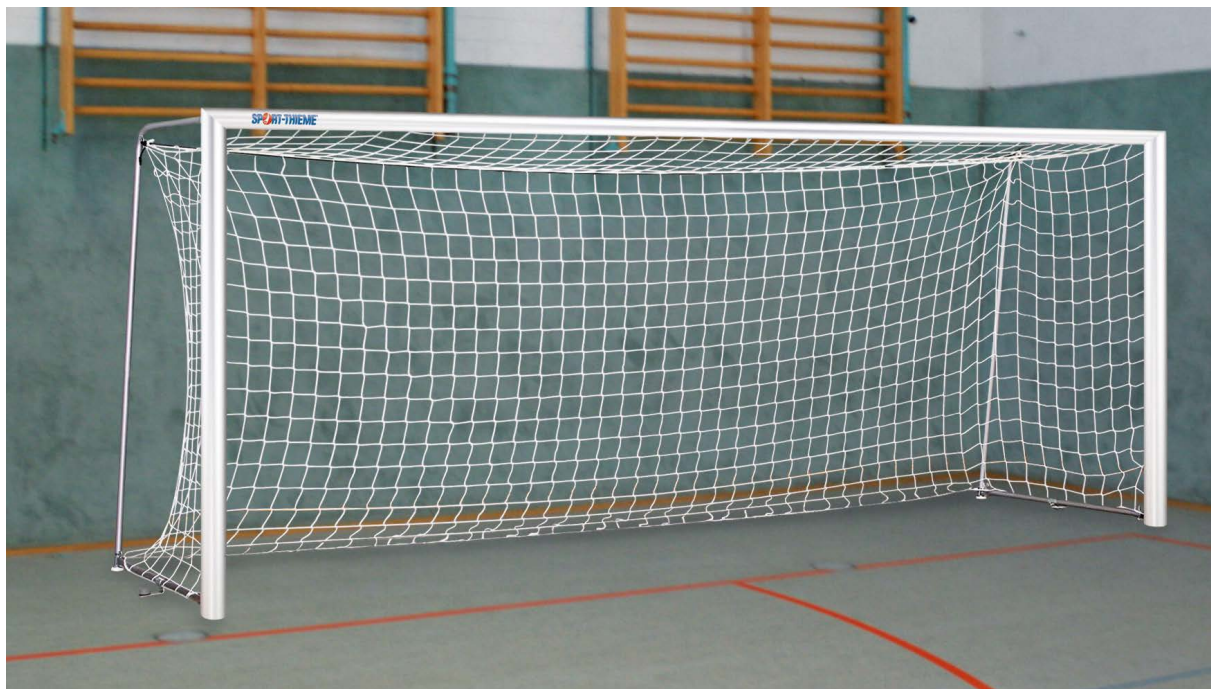


## Sport-Thieme® Indoor Football Goal, 5x2 m

**Thank you very much for choosing a Sport-Thieme product!**

Please read the instructions fully before you assemble the equipment, so you can enjoy the product and safety is guaranteed. We are happy to answer any questions you may have.



### Schraubzubehör

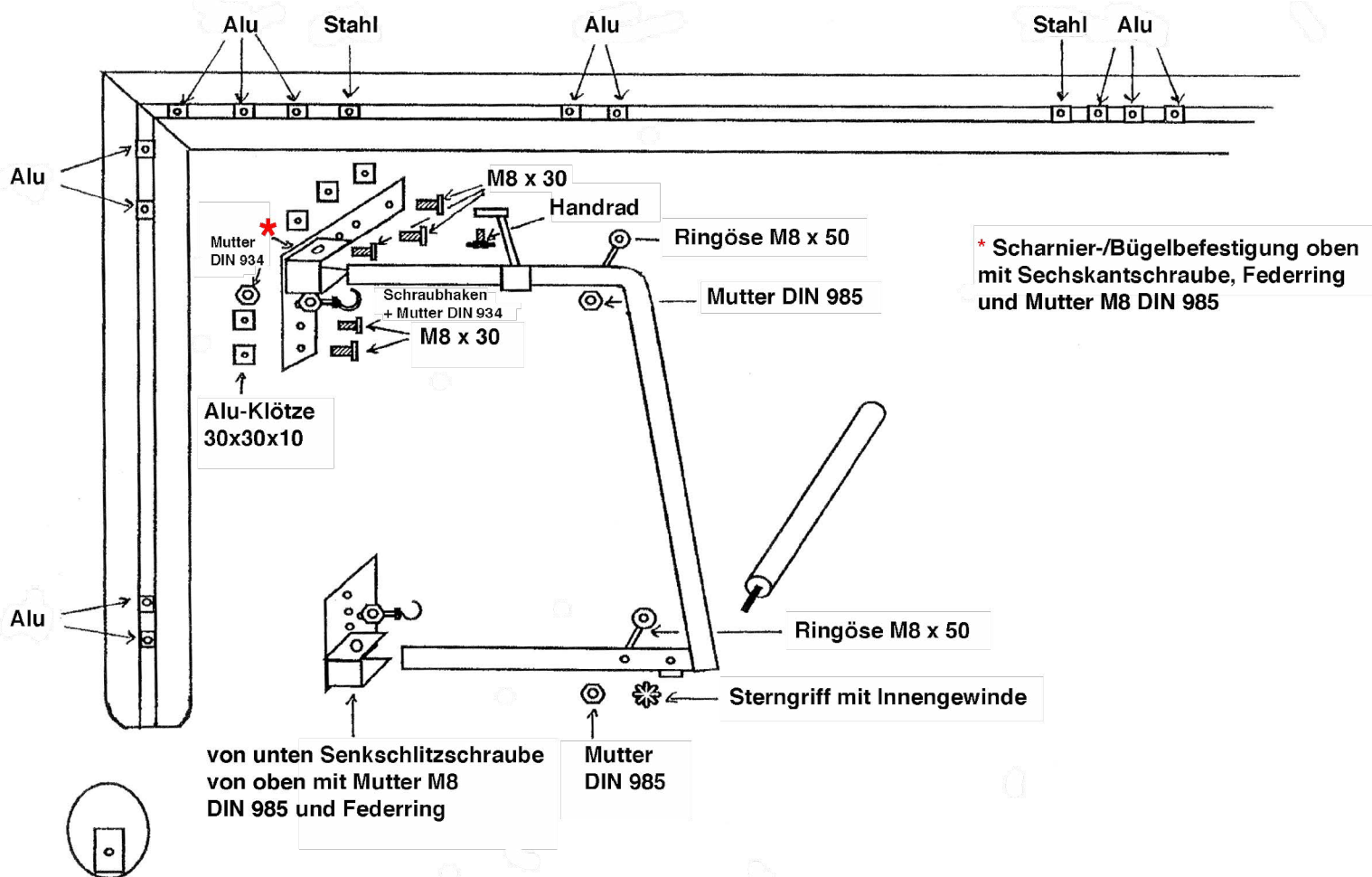
160	plastic net hooks		
8	net hooks V2 A	M 8	
28	alu-blocs	30 x 30 x 10	
32	nuts alu	M 8	
4	nuts steel	M 8	
8	ring bolts	M 8 x 50	Typ 48
28	spring washer	M 8	DIN 127
16	nuts	M 8	DIN 934
16	nuts self-securing.	M 8	DIN 985
28	socket head cap screw	M 8 x 30	DIN 912
4	hexagon screw	M 8 x 60	DIN 931
16	countersunk screw	M 8 x 20	DIN 7991
4	countersunk bolt	M 8 x 60	DIN 963
1	hexagon socket wrench	SW 5	DIN 911
1	hexagon socket wrench	SW 6	DIN 911
4	hand wheels	M 8 x 25	DIN 933
4	star knop	M 8	
8	plastic caps	SW 13	
4	cover plate alu		
1	assembly instruction		

## Assembly

1. Unpack all parts and lay down crossbar and post rectangular to each other, profile slot showing upwards. Insert two nuts of alu into each slot of post and ten nuts into crossbar like showed at enclosed drawing, made of steel or alu.
2. Screw together posts and crossbar with angles and screw M 8 x 20. First turn in all screws slightly, then tighten all once again.
3. Lock one net hook M 8 each at upper and lower hinge with two nuts each (one nut at front, one at back side). Slide the struts onto the tubes. Fix hinge at hoop –at top with hexagon head screw M 8 x 60, spring washer and nut; at bottom with counter-sunk bolt with slot M 8 x 60, spring washer and nut. Pay attention that the chamfered sides of hoops are showing outwards.
4. Adjust nuts at post and crossbar to fix hoops. Place one alu bloc 30 x 30 x 10 each onto the inserted nuts. Fix hoop with hinge at miter section of goal with screws M 8 x 30. Then continue at bottom and fix hinge with two screws M 8 x 30, spring washer and nut at each side. In this way fix alu plate at bottom with screw.
5. Fix ground tube with star knobs. Screw eye bolts M 8 x 50 with nut at hoops. For storage of the hand wheels place two nuts in the center of the crossbar. Turn in net holders as described into the profile slot equally. Then tighten all screws once again.

Please pay attention that the nets will be hang up loose into the goal. Don't pull them over the hoops.

**ATTENTION !! GS-certificate for freestanding goals only in connection**

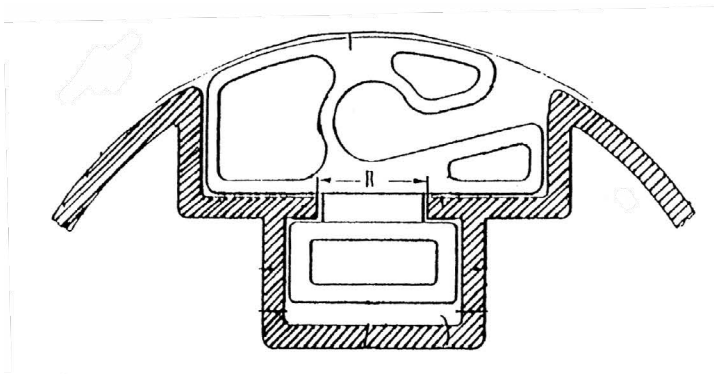


## Assembly instructions for art.-nr. 1136106

### Net hook made of plastic, colour black

Please distribute equally along the profile two hooks 15mm apart from each other. One with opening face to top and one to bottom (or right/left). In this way it is guaranteed that the nets are unable to fall out of the hook.

The plastic net hooks will be turned into the profile slot with a tong. Net hooks only turn in direction of rounded edges (see drawing).



Profilnut

