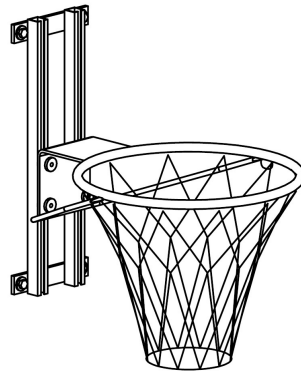


## **Instruction manual height-adjustable basketball hoop**

Thank you very much for choosing a **Sport-Thieme** product. Please read the instructions fully before you assemble the equipment so you can enjoy the product and its guaranteed safety:



### **III. 1: height-adjustable basketball hoop**

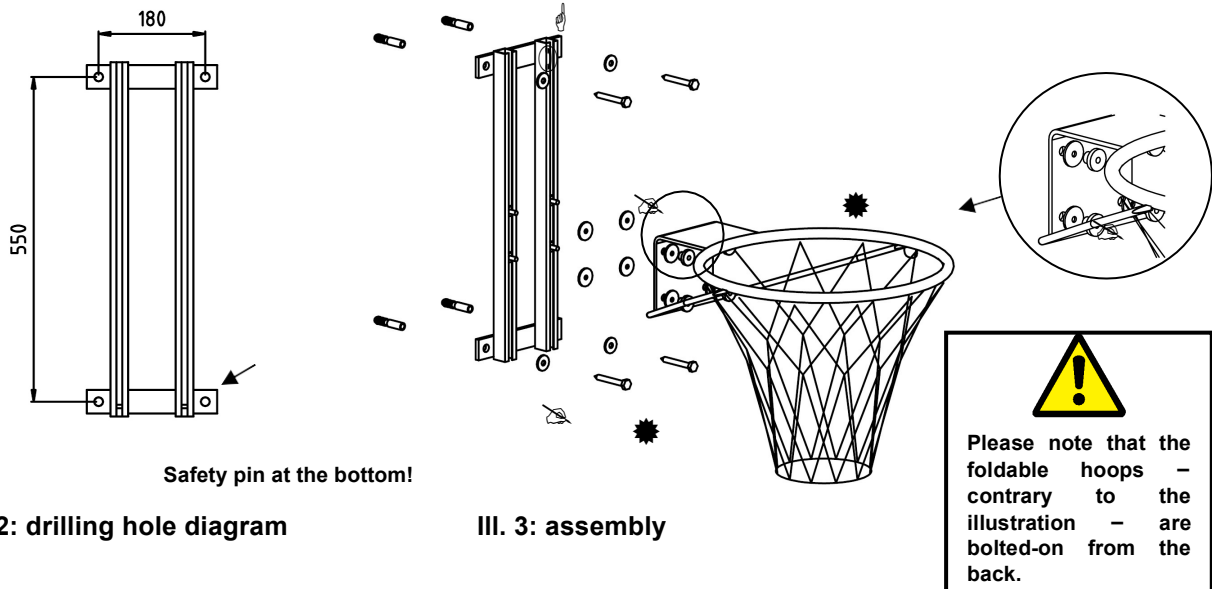
#### **Included:**

<u>Pos.</u>	<u>Description</u>
1	1 x adjustable section
2	4 x wall plug 14
3	4 x washer 12
4	4 x hex wood screw M12 x 90
5	4 x hammer head screw
6	8 x washer 8
7	4 x knurled thumb nut M8
8	1 x hoop with net

#### **1. General**

The Sport-Thieme height-adjustable basketball hoop is made from solid hot-dip galvanised steel. The free hoop height-adjustment between the game heights 2.60 - 3.05 m allows for playing fun at all ages. The playing time can be determined thanks to the detachable hoop. The matching backboard for this system has the product code 117 4120.

## 2. Assembly instructions



III. 2: drilling hole diagram

III. 3: assembly

### 3.1 Mounting the height-adjustable basketball hoop

The adjustable section ① of the basketball hoop is mounted to the wall in the desired position using wall plugs and screws.

A distance of 2,465 mm between the adjustable section's ① lower drilling hole and the floor is recommended.

Hold the adjustable section's ① bottom edge against the wall and align vertically using a spirit level.

Then, mark the drilling holes as shown in illustration 2.

Use a masonry drill bit  $\varnothing = 14$  mm to drill the holes 85 mm deep and put the included wall plugs 14 ② into the holes.

Now, fix the adjustable section ① to the wall using the hex wood screws ④.

Slide the hammer head screws ⑤ from above into the rails. The included screws and wall plugs are only permitted for mounting the wall bracket to walls made from

- concrete B 300
- vertical coring brick Poroton
- aerated concrete G75.

### 3.2 Mounting and dismantling the basketball hoop

For mounting, place the basketball hoop ⑧ between two washers ⑥ onto the threaded ends of the hammer head screws ⑤ and tighten the four knurled nuts ⑦ slightly.

Now, push the basketball hoop ⑧ to the desired height and hand-tighten the knurled nuts ⑦.

The basketball ladder is now fully assembled and ready for play.

Operating/assembly instructions

**Sport-Thieme height-adjustable basketball hoop**

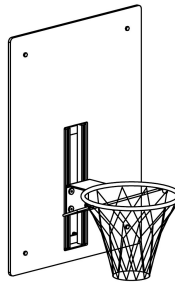
Prod. code: 117 4104

For dismantling, loosen the four knurled nuts (7) and remove the basketball hoop together with the hammer head screws upwards.

By dismantling the hoop, you are in control of the playing times.

#### **4. Backboard**

The basketball backboard (product code: 117 4120) can be ordered as an option for the height-adjustable basketball hoop. Both products are also available in a set (product code: 117 4133) (see ill. 3).



III. 3: **height-adjustable basketball hoop with backboard**

**Caution: Do not overload or climb the equipment!**



#### **Maintenance and care instructions**

##### **Instructions:**

Carry out a visual check at regular intervals. Due to our continuous quality control of the products, technical changes may occur which may lead to slight deviations in the instructions. Check at regular intervals that the screw connections are tight. Check the equipment for possible damage and replace worn-out parts. Check the condition of wooden elements as chipping and other signs of wear can result from use. Ensure that moveable parts are free-moving. Grease the threaded end of the sliding element every six months. Ensure that an expert checks the system as part of the annual sports hall inspection.

We are happy to answer any questions you may have.

Your **Sport-Thieme** Team