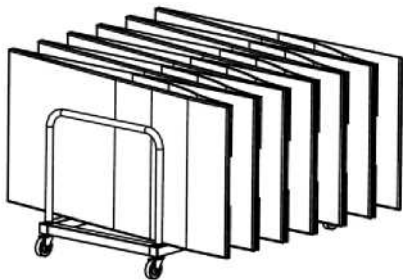


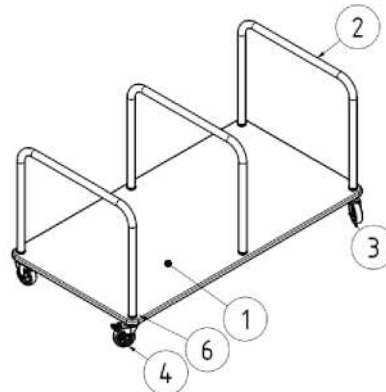
Assembly instructions for the 'Sport-Thieme springboard trolley'

Thank you very much for choosing a Sport-Thieme product. We want to make sure that you can enjoy this product, so here is some important advice for your safety as well as for the use and maintenance of the equipment.

Please read these instructions fully before you assemble and use the equipment.



III. 1: springboard trolley with springboards



III. 2: springboard trolley

Included:

<u>Pos.</u>	<u>No.</u>	<u>Description</u>
1	1	base
2	3	tubing
3	2	swivel castor, $\varnothing = 75$ mm
4	2	swivel castor, $\varnothing = 75$ mm, lockable
5	1	Hex key DIN 911/SW5
6	6	countersunk screw with hexagon socket M8x40 DIN7991

1. General

Depending on the springboard model, 4-6 springboards can be transported and stored on the springboard trolley (see illustration 1).

The surface of the base ① has glued-on felt strips to protect the boards. This also prevents the springboards from sliding.

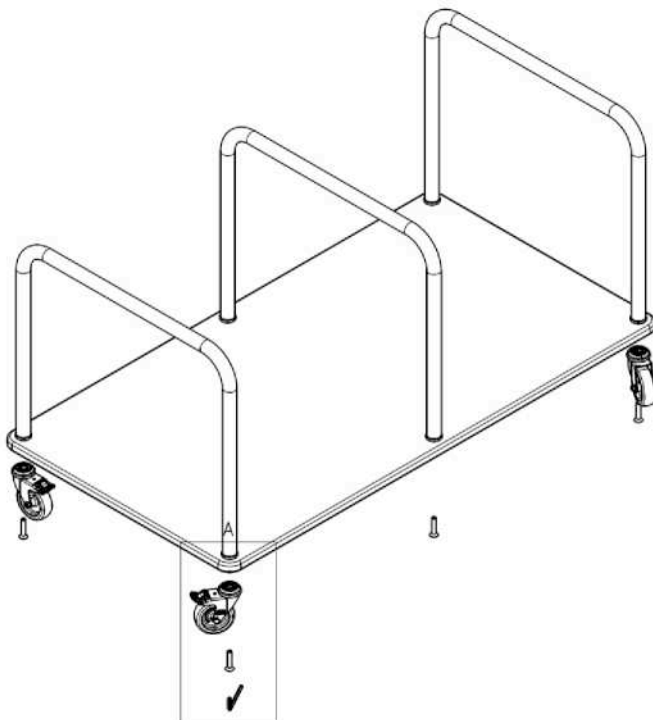
The trolley has the following dimensions: (LxWxH) 110 x 60 x 60 cm.

The maximum load is 150 kg.

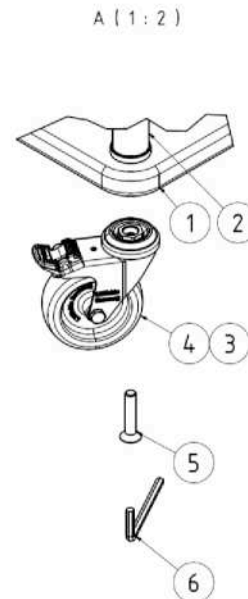
2. Assembly instructions

This springboard trolley is easy to assemble.

The socket head screw is inserted and screwed from below through the hole in the swivel castor ③, the hole in the base ① and the threaded part of the tubing ②. Ensure the screw is tight.



III. 3: springboard trolley, exploded view



III. 4: assembly



Caution: Do not overload or climb the equipment!

Care and maintenance

Instructions: Carry out a visual check at regular intervals. Due to our continuous quality control of the products, technical changes may occur which may lead to slight deviations in the instructions. Check at regular intervals that the screw connections are tight.

Check the equipment for possible damage and replace worn-out parts. Check the condition of wooden elements as chipping and other signs of wear can result from use. Ensure that moveable parts are free-moving.

We are happy to answer any questions you may have.
Your **Sport-Thieme** Team